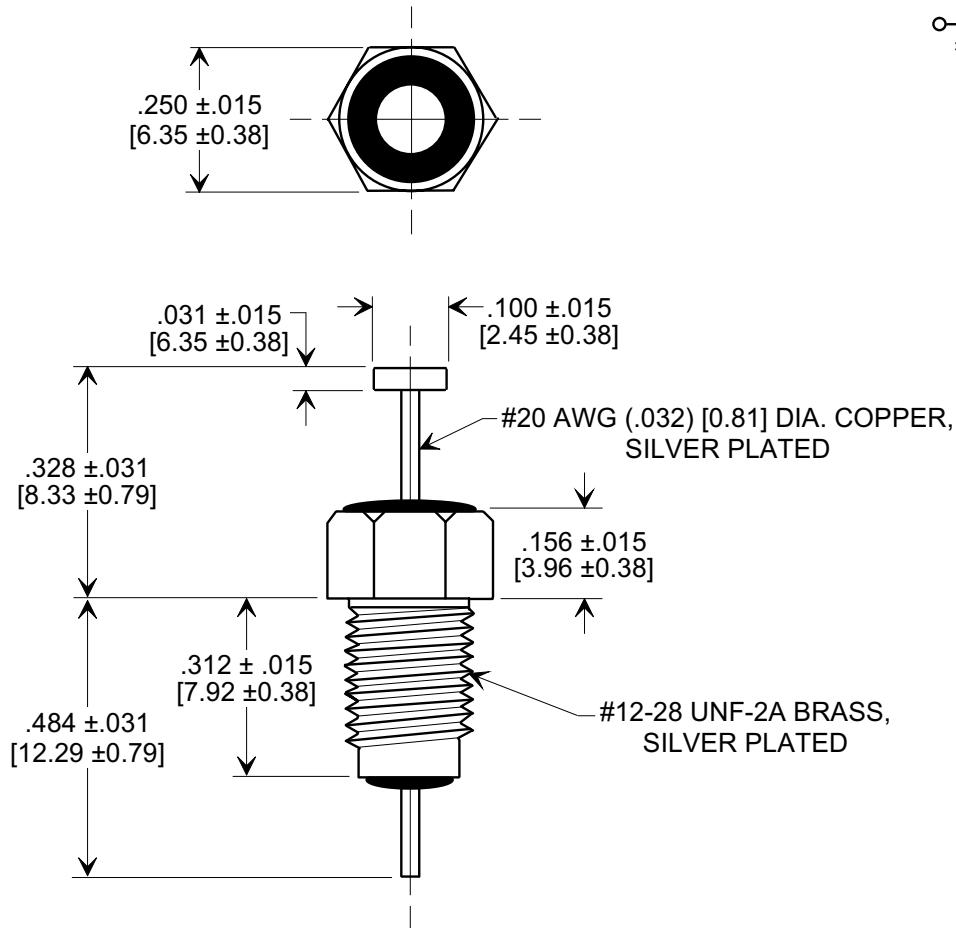
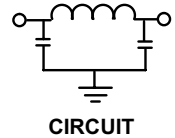
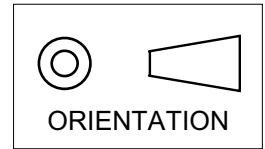


**MARKETING SALES DRAWING**  
**DIMENSIONS IN INCHES - DO NOT SCALE THIS DRAWING**  
**DIMENSIONS IN METRIC - [ ]**

Electrical Testing  
per Tusonix standard  
test plans and Mil-Std-202  
Test Methods.



**NOTES:**

- SUPPLIED WITH SILVER PLATED HEX NUT AND LOCK WASHER.
- TUSONIX STANDARD PART NUMBER: 4202-021.  
TUSONIX RoHS COMPLIANT PART NUMBER: 4202-021 LF.  
CUSTOMER MUST SPECIFY STANDARD OR RoHS PART NUMBER WHEN ORDERING.
- PART MARKING: TRADEMARK AND VARIATION NUMBER ON HEX FLATS.  
STANDARD PART: BLACK INK. RoHS PART: GREEN INK.

MIN. CAP. (pF)	WORKING VOLTAGE (WVdc)		CURRENT (Idc)	DWV (VDC)	I.R. MIN. @ 100 VDC	MINIMUM NO LOAD INSERTION LOSS (dB) AT 25°C PER MIL-STD -220			
	85°C	125°C				10 MHz	100 MHz	1 GHz	10 GHz
1500	350	200	10 A	700	10 G	5	45	70	70

<b>X-2015 Rev-0</b> <b>REVISION RECORD</b> Original Release C.O. <b>1617</b> CURRENT UNIT "A" ADDED. L.E. 8-20-85 <b>2595</b> RDN TO COMP FMT & ADDED METRIC. S.M. 02-12-02 <b>20020213-3-09</b> ADDED NOTES 2, 3 & REF. TO PLATING ON LEAD & BUSHING. S.M. 05-18-05 <b>20050503-6-13</b>	<b>0</b>	<b>--TOLERANCES--</b> Unless Otherwise Specified DECIMAL ± ANGLES ±	Title <b>BUSHING STYLE EMI FILTER</b>		
	<b>1</b>		Drawn S.M. 02-12-02	Scale <b>3 X</b>	
	<b>2</b>		Approved T.C. 02-12-02	<b>A</b>	<b>4202-021</b>
	<b>3</b>		<b>TUSONIX</b> TUCSON, ARIZONA		