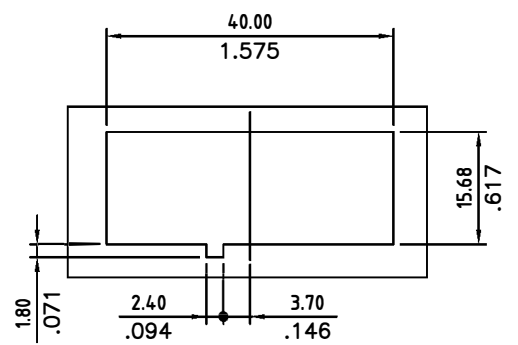
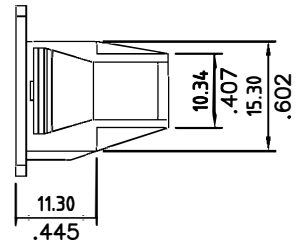
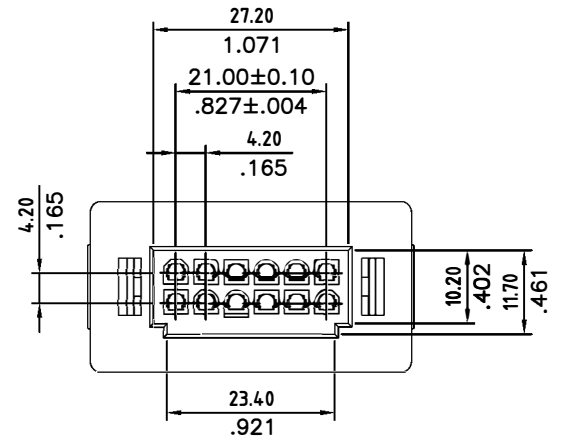
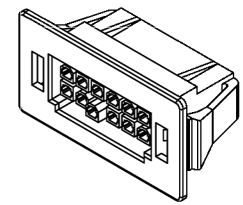
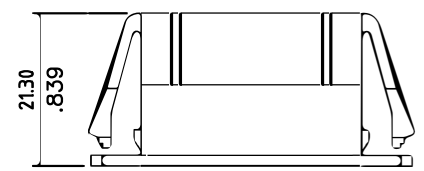


SIGN	DATE	DESCRIPTION	APPROVER
		<i>THIS IS CAD DRAWING, DO NOT REVISE MANUALLY!!!</i>	

Material

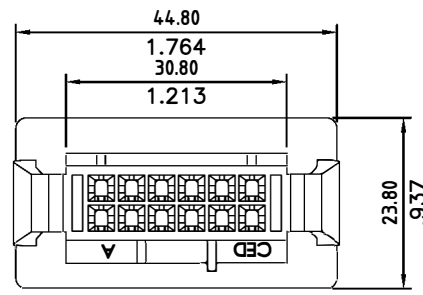
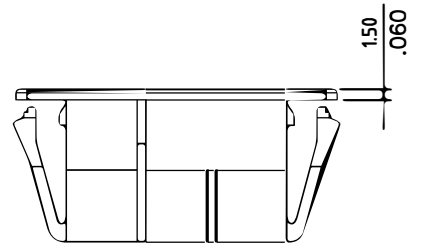
Body: PA 66 (Grilon AS V0)
 Color: Nature
 Contacts: 420CP-T-X series

RoHS Compliant



Mounting Hole Details

suitable for Panel thickness between 1.8 to 2.0mm



Back View

THESE DRAWINGS AND SPECIFICATIONS ARE THE PROPERTY OF ON-SHORE TECHNOLOGY, INC. AND SHALL NOT BE REPRODUCED, COPIED OR USED IN ANY MANNER WITHOUT THE PRIOR WRITTEN CONSENT OF ON-SHORE TECHNOLOGY, INC.

OST ON-SHORE TECHNOLOGY, INC.

TITLE: 420C2PM Series - 4.2mm dual row housing, cable side, panel mount, 12 circuits, first mate/last break

PART NO.	420C2PM12FL0	DWG NO.	420C2PM12FL0.DWG
APPROVED	CHECKED	DESIGNED	DRAWN
David 2016.04.13	Eisley 2016.04.13	Eisley 2016.04.13	Hank 2016.04.13

4050		Tolerance	
UNIT: mm/in	X.X	±0.30/.012	
SCALE: NONE	X.XX	±0.20/.008	
SHEET: 01/01	REV.: A	X.XXX	±0.10/.004
		X*	±1°