

Differential Amplifier with an Ultraprecision Matched Resistor Network

FEATURES

- Enables quick evaluation of the [LT5401](#) with a fully differential amplifier
- Standalone, fully differential evaluation board with high CMRR vs. frequency (82 dB at 1 MHz)
- High gain precision over full operating temperature range (0.01%)

APPLICATIONS

- Fully differential amplifiers

EQUIPMENT NEEDED

- Dual supply
- Waveform generator
- 300 MHz oscilloscope

DOCUMENTS NEEDED

- [LT5401](#) data sheet
- [ADA4932-1](#) data sheet

GENERAL DESCRIPTION

The Analog Devices, Inc., EVAL-LT5401_32FDAZ allows the user to evaluate the performance of the [LT5401](#). The [LT5401](#) is an ultraprecision matching resistor network used to configure the gain of a fully differential amplifier. The on-board [LT5401](#) is paired with a 300 MHz, fully differential amplifier circuit (the [ADA4932-1](#)).

The EVAL-LT5401_32FDAZ accepts either a single-ended or a differential input signal.

Optimized power and ground planes ensure low noise and high speed operation. Component placement and power supply bypassing allow maximum circuit flexibility and optimal performance.

Full specifications on the [LT5401](#) and the [ADA4932-1](#) are available in the [LT5401](#) and [ADA4932-1](#) data sheets, respectively. Consult the data sheets in conjunction with this user guide when working with the EVAL-LT5401_32FDAZ.

EVAL-LT5401_32FDAZ PHOTOGRAPH

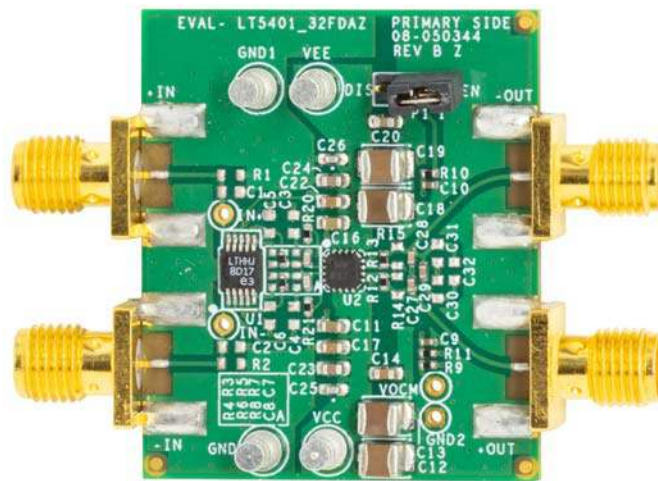


Figure 1.

17278-001

TABLE OF CONTENTS

Features	1	Differential Input and Output	3
Applications.....	1	Differential Gain Configuration.....	3
Equipment Needed.....	1	Common Mode Rejection Ratio (CMRR).....	4
Documents Needed.....	1	Disable	4
General Description	1	Evaluation Board Schematic and Artwork.....	5
EVAL-LT5401_32FDAZ Photograph	1	Ordering Information.....	7
Revision History	2	Bill of Materials.....	7
Evaluation Board Hardware.....	3		
Functionality	3		

REVISION HISTORY

11/2019—Revision 0: Initial Version

EVALUATION BOARD HARDWARE

FUNCTIONALITY

The on-board [LT5401](#) and [ADA4932-1](#) ensure a common-mode rejection (CMR) of ≥ 94 dB, 0.002% gain error, and 1 ppm/ $^{\circ}$ C gain drift over the entire operating temperature range. The [LT5401](#) data sheet provides detailed electrical specifications and applications information.

DIFFERENTIAL INPUT AND OUTPUT

Two input Subminiature Version A (SMA) edge connectors (+IN and -IN) and two output SMA connectors (-OUT and +OUT) provide either a fully differential input and output connection, or a single-ended input to a differential output connection. A single-ended input connection to +IN from a 50 Ω source requires a 50 Ω termination to the -IN input. Any impedance in series with an input or output increases the matching error of the [LT5401](#).

DIFFERENTIAL GAIN CONFIGURATION

Figure 2 shows the [LT5401](#) matched resistors block diagram. The [LT5401](#) IN1 pin connects to the -IN SMA connector of the EVAL-LT5401_32FDAZ, and the [LT5401](#) IN2 pin connects to the +IN SMA connector of the EVAL-LT5401_32FDAZ. These SMA connectors can be driven by either a differential or single-ended voltage source. The [LT5401](#) OUT1 pin connects to the -OUT pin of the [ADA4932-1](#), and the [LT5401](#) OUT2 pin connects to the +OUT pin of the [ADA4932-1](#). These connections are made through the [ADA4932-1](#) -FB pin and +FB pin (see Figure 5).

The possible gain configurations for the EVAL-LT5401_32FDAZ include the following:

- Gain = 0 dB in the default board configuration. The [LT5401](#) T1B pin and T2B pin connect to the differential amplifier inputs through the 0 Ω R5 and R6 resistors.
- Gain = 6 dB. The T1A pin and the T2A pin connect to the differential amplifier inputs. Remove the R5 resistor and R6 resistor, and install 0 Ω on the R3 resistor and R4 resistor.
- Gain = -6 dB. The T1C pin and the T2C pin connect to the differential amplifier inputs. Remove the R5 resistor and R6 resistor, and install 0 Ω on the R7 resistor and R8 resistor.

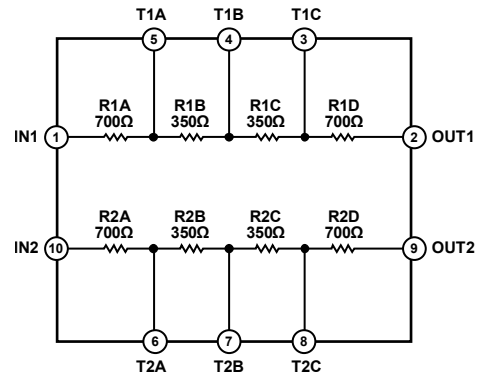


Figure 2. [LT5401](#) Matched Resistors Block Diagram

The default gain configuration of the EVAL-LT5401_32FDAZ is 0 dB (see Figure 3).

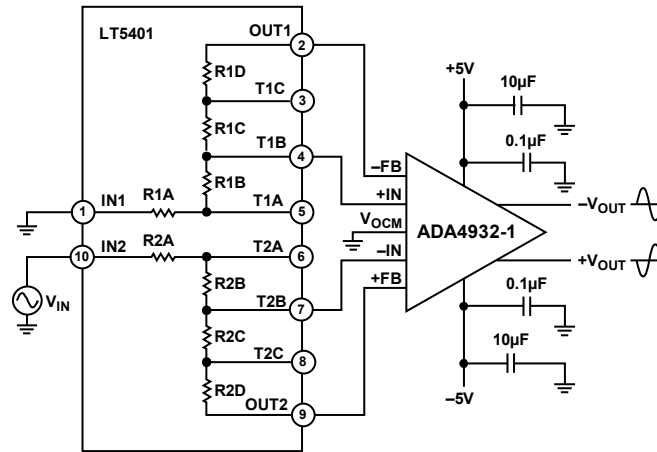


Figure 3. [LT5401](#) and [ADA4932-1](#)

COMMON MODE REJECTION RATIO (CMRR)

Figure 4 shows the input CMRR vs. the frequency of the [LT5401](#) with the [ADA4932-1](#). A 0 dB gain and dual 5 V supply are used.

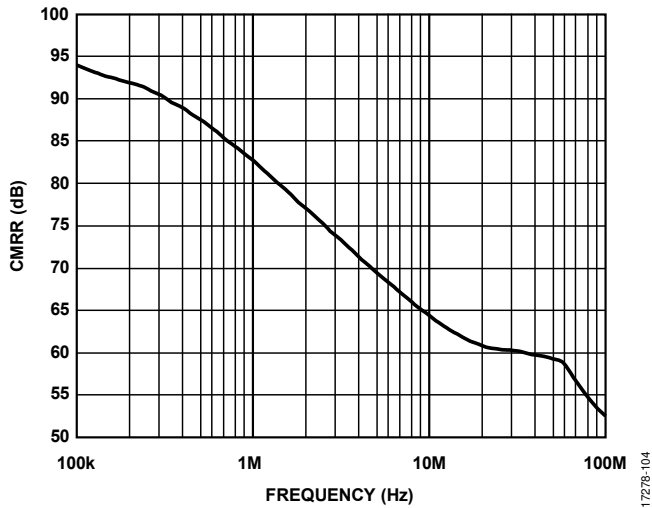


Figure 4. [LT5401](#) and [ADA4932-1](#) CMRR, Differential Gain = 0 dB

DISABLE

The [ADA4932-1](#) power-down input, Pin 12, is connected to Position 2 of the 3-position P1 header connector.

Insert the shunt of the P1 jumper on Position 1 and Position 2 to enable the [ADA4932-1](#). Insert the shunt of the P1 jumper on Position 2 and Position 3 to disable the [ADA4932-1](#) (see P1 in Figure 5).

EVALUATION BOARD SCHEMATIC AND ARTWORK

17278-005

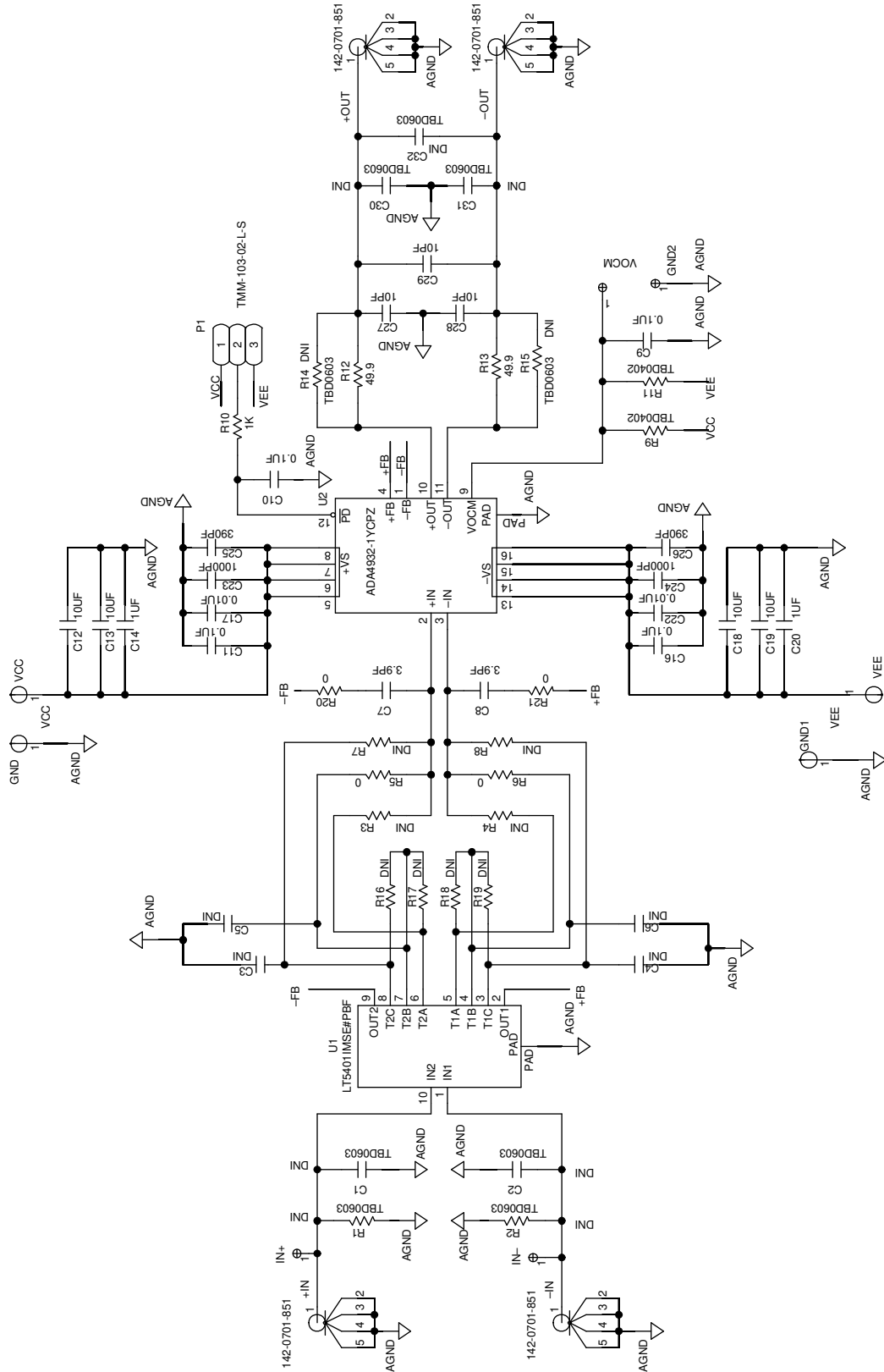
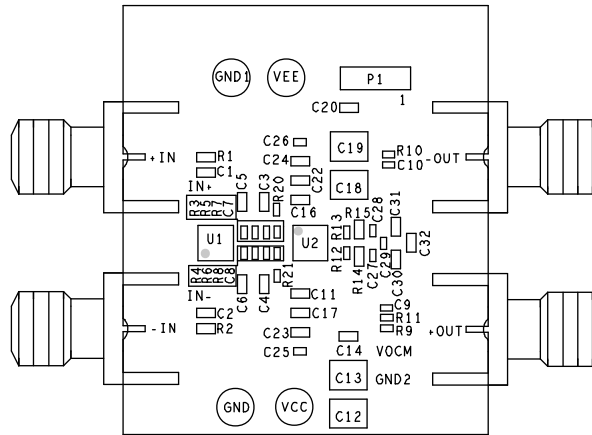
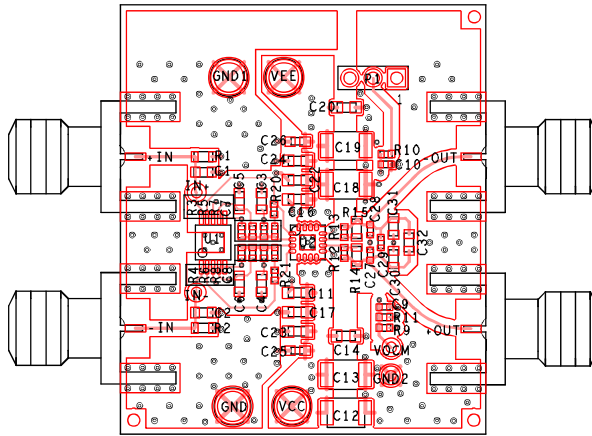


Figure 5. EVAL-LT5401_32FDAZ Schematic



17278-006

Figure 6. EVAL-LT5401_32FDAZ Assembly Drawing, Primary Side



17278-007

Figure 7. EVAL-LT5401_32FDAZ Layout Pattern, Primary Side

ORDERING INFORMATION

BILL OF MATERIALS

Table 1. Bill of Materials

Item	Qty	Reference Designator	Description	Manufacturer	Part Number
1	1	Not applicable	Eval-LT5401_32FDAZ	Analog Devices	08-050344
2	1	U1	LT5401	Analog Devices	LT5401IMSE#PBF
3	1	U2	ADA4932-1	Analog Devices	ADA4932-1YCPZ-R7
4	4	+IN, +OUT, -IN, -OUT	Connectors, SMA, printed circuit board (PCB), 50 Ω end launch jack receptor	CINCH	142-0701-851
5	2	C9, C10	Ceramic capacitors, X7R, C0402	Kemet	C0402C104K4RACTU
6	2	C11, C16	Ceramic capacitors, X7R, C0603	Yageo	CC0603KRX7R9BB104
7	4	C12, C13, C18, C19	Ceramic capacitors, X7R, C1210H106	Murata	GCM32ER71E106KA57L
8	2	C14, C20	Ceramic capacitors, X7R, C0603	AVX	0603YC105KAT2A
9	2	C17, C22	Ceramic capacitors, X7R, C0603	Yageo	CC0603KRX7R9BB103
10	2	C23, C24	Ceramic capacitors, X7R, C0603	TDK	C1608C0G2A102J
11	2	C25, C26	Ceramic capacitors, C0G, C0402	Murata	GCM1555C1H391JA16D
12	3	C27 to C29	Ceramic capacitors, C0G, C0402	AVX	MK0227100FAT2A
13	2	C7, C8	Ceramic capacitors, NP0, C0G	Murata	GJM1555C1H3R9BB01D
14	9	C1 to C6, C30 to C32	User defined capacitors, C0603	Not Applicable	Not Applicable
15	8	R1, R2, R14 to R19	User defined resistors, R0603	Not Applicable	Not Applicable
16	6	R3, R4, R7, R8, R9, R11	User defined resistors, R0402	Not Applicable	Not Applicable
17	1	R10	Thick film resistor, R0402	Panasonic	ERJ-2RKF1001X
18	2	R12, R13	Thick film resistors, R0402	Panasonic	ERJ-2RKF49R9X
19	4	R5, R6, R20, R21	Thick film resistors, R0402	Panasonic	ERJ-2GE0R00X
20	4	VCC, VEE, GND, GND1	Terminal turrets	Mill-Max	2501-2-00-80-00-00-07-0
21	1	P1	Connector header, 3-position	Samtec Inc	TMM-103-02-L-S



ESD Caution
ESD (electrostatic discharge) sensitive device. Charged devices and circuit boards can discharge without detection. Although this product features patented or proprietary protection circuitry, damage may occur on devices subjected to high energy ESD. Therefore, proper ESD precautions should be taken to avoid performance degradation or loss of functionality.

Legal Terms and Conditions

By using the evaluation board discussed herein (together with any tools, components documentation or support materials, the "Evaluation Board"), you are agreeing to be bound by the terms and conditions set forth below ("Agreement") unless you have purchased the Evaluation Board, in which case the Analog Devices Standard Terms and Conditions of Sale shall govern. Do not use the Evaluation Board until you have read and agreed to the Agreement. Your use of the Evaluation Board shall signify your acceptance of the Agreement. This Agreement is made by and between you ("Customer") and Analog Devices, Inc. ("ADI"), with its principal place of business at One Technology Way, Norwood, MA 02062, USA. Subject to the terms and conditions of the Agreement, ADI hereby grants to Customer a free, limited, personal, temporary, non-exclusive, non-sublicensable, non-transferable license to use the Evaluation Board FOR EVALUATION PURPOSES ONLY. Customer understands and agrees that the Evaluation Board is provided for the sole and exclusive purpose referenced above, and agrees not to use the Evaluation Board for any other purpose. Furthermore, the license granted is expressly made subject to the following additional limitations: Customer shall not (i) rent, lease, display, sell, transfer, assign, sublicense, or distribute the Evaluation Board; and (ii) permit any Third Party to access the Evaluation Board. As used herein, the term "Third Party" includes any entity other than ADI, Customer, their employees, affiliates and in-house consultants. The Evaluation Board is NOT sold to Customer; all rights not expressly granted herein, including ownership of the Evaluation Board, are reserved by ADI. CONFIDENTIALITY. This Agreement and the Evaluation Board shall all be considered the confidential and proprietary information of ADI. Customer may not disclose or transfer any portion of the Evaluation Board to any other party for any reason. Upon discontinuation of use of the Evaluation Board or termination of this Agreement, Customer agrees to promptly return the Evaluation Board to ADI. ADDITIONAL RESTRICTIONS. Customer may not disassemble, decompile or reverse engineer chips on the Evaluation Board. Customer shall inform ADI of any occurred damages or any modifications or alterations it makes to the Evaluation Board, including but not limited to soldering or any other activity that affects the material content of the Evaluation Board. Modifications to the Evaluation Board must comply with applicable law, including but not limited to the RoHS Directive. TERMINATION. ADI may terminate this Agreement at any time upon giving written notice to Customer. Customer agrees to return to ADI the Evaluation Board at that time. LIMITATION OF LIABILITY. THE EVALUATION BOARD PROVIDED HEREUNDER IS PROVIDED "AS IS" AND ADI MAKES NO WARRANTIES OR REPRESENTATIONS OF ANY KIND WITH RESPECT TO IT. ADI SPECIFICALLY DISCLAIMS ANY REPRESENTATIONS, ENDORSEMENTS, GUARANTEES, OR WARRANTIES, EXPRESS OR IMPLIED, RELATED TO THE EVALUATION BOARD INCLUDING, BUT NOT LIMITED TO, THE IMPLIED WARRANTY OF MERCHANTABILITY, TITLE, FITNESS FOR A PARTICULAR PURPOSE OR NON-INFRINGEMENT OF INTELLECTUAL PROPERTY RIGHTS. IN NO EVENT WILL ADI AND ITS LICENSORS BE LIABLE FOR ANY INCIDENTAL, SPECIAL, INDIRECT, OR CONSEQUENTIAL DAMAGES RESULTING FROM CUSTOMER'S POSSESSION OR USE OF THE EVALUATION BOARD, INCLUDING BUT NOT LIMITED TO LOST PROFITS, DELAY COSTS, LABOR COSTS OR LOSS OF GOODWILL. ADI'S TOTAL LIABILITY FROM ANY AND ALL CAUSES SHALL BE LIMITED TO THE AMOUNT OF ONE HUNDRED US DOLLARS (\$100,000). EXPORT. Customer agrees that it will not directly or indirectly export the Evaluation Board to another country, and that it will comply with all applicable United States federal laws and regulations relating to exports. GOVERNING LAW. This Agreement shall be governed by and construed in accordance with the substantive laws of the Commonwealth of Massachusetts (excluding conflict of law rules). Any legal action regarding this Agreement will be heard in the state or federal courts having jurisdiction in Suffolk County, Massachusetts, and Customer hereby submits to the personal jurisdiction and venue of such courts. The United Nations Convention on Contracts for the International Sale of Goods shall not apply to this Agreement and is expressly disclaimed.

©2019 Analog Devices, Inc. All rights reserved. Trademarks and registered trademarks are the property of their respective owners.
 UG17278-0-11/19(0)



www.analog.com