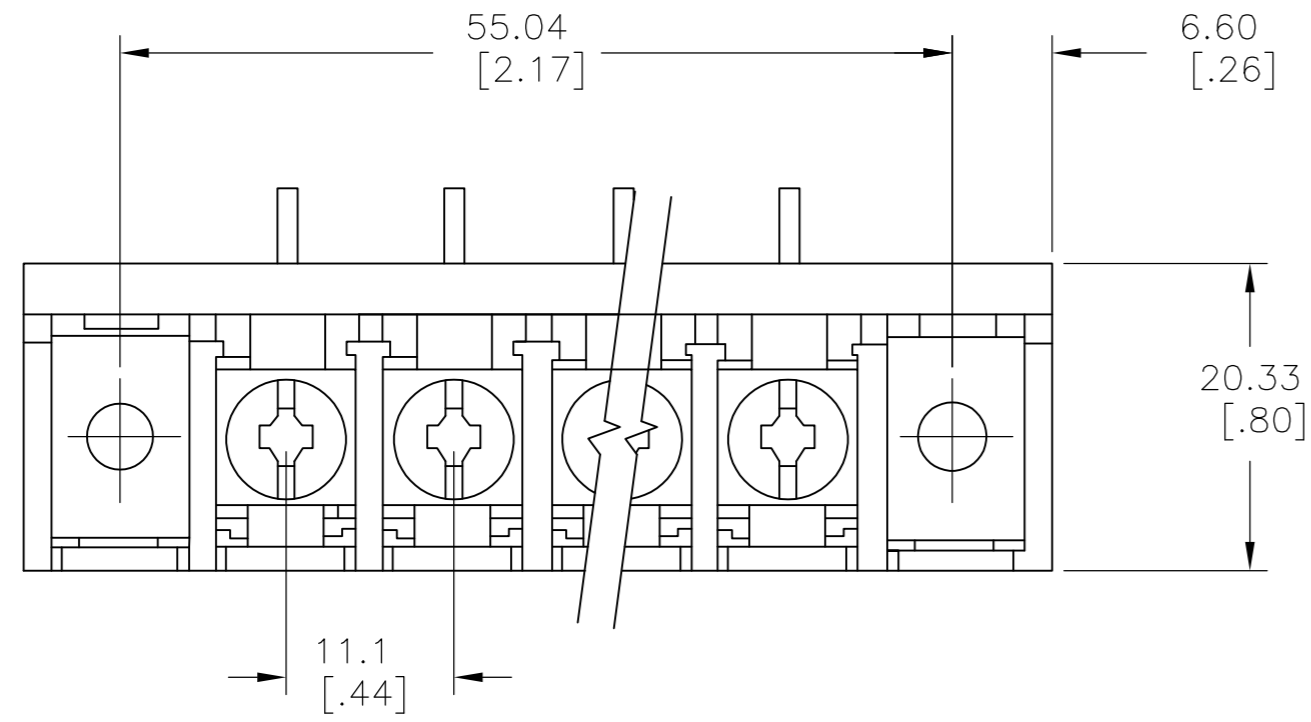
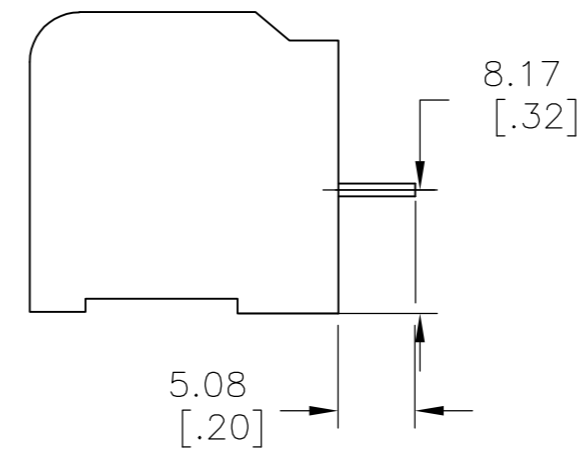
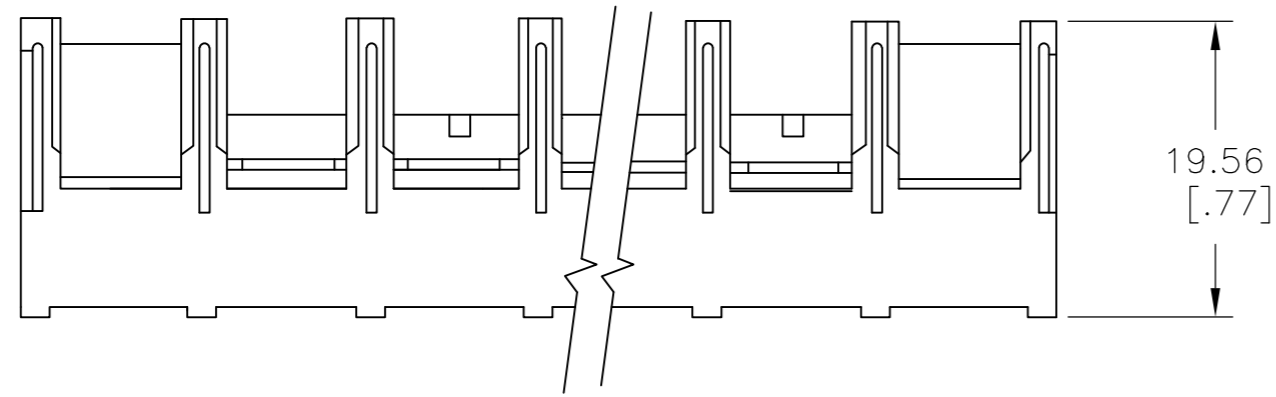


THIS DRAWING IS UNPUBLISHED. RELEASED FOR PUBLICATION
 © COPYRIGHT - By - ALL RIGHTS RESERVED.

| LOC | | DIST | | REVISIONS | | | |
|-----|-----|---------------------------|--|-----------|-----|------|--|
| P | LTR | DESCRIPTION | | DATE | DWN | APVD | |
| | A2 | REVISED PER ECO-11-020526 | | 12OCT11 | KH | MS | |



1 ALL SCREWS TO BE BOTTOMED; TORQUED TO 2 TO 4 INCH LBS



| | | | |
|-----------|-----------|----------------|-------------|
| 3.573 | 6 | 8PCR-06-008 | 3-1437657-9 |
| 2.698 | 4 | 8PCR-04-008 | 3-1437657-2 |
| 1.823 | 2 | 8PCR-02-008 | 796875-2 |
| DIM A REF | NO OF POS | CATALOG NUMBER | TE PART NO |

| | | | | |
|--|--|---------------------------|----------------------------------|-----------------|
| THIS DRAWING IS A CONTROLLED DOCUMENT. | | DWN RAGHAVENDRA 04SEP2008 | TE TE Connectivity | |
| DIMENSIONS: mm [INCHES] | | CHK SAM MACE 04SEP2008 | | |
| TOLERANCES UNLESS OTHERWISE SPECIFIED: | | APVD SAM MACE 04SEP2008 | NAME 8PCR-XX-008=8 TRIBARRIER-BL | |
| 0 PLC ± - | | PRODUCT SPEC | SIZE A2 | CAGE CODE 00779 |
| 1 PLC ± - | | APPLICATION SPEC | DRAWING NO C=3-1437657-2 | RESTRICTED TO - |
| 2 PLC ± - | | WEIGHT - | SCALE 2:1 | SHEET 1 of 1 |
| 3 PLC ± 0.13[.005] | | CUSTOMER DRAWING | REV A2 | |
| 4 PLC ± - | | | | |
| ANGLES ± 1° | | | | |
| FINISH - | | | | |