

PART NUMBER ( SEE NOTE 2 )		
MDSMT2ARATRX	MDSMT2BRATRX	MDSMT3BRATRX
MDSMT2ARATRAUX	MDSMT2BRATRAUX	MDSMT3BRATRAUX

PCB LAYOUT  
COMPONENT SIDE  
**CUSTOMER DRAWING**

**NOTES:**

1. ALL DIMENSIONS ARE REFERENCE.
2. MATERIALS:  
HOUSING: THERMOPLASTIC, BLACK  
TERMINALS: COPPER ALLOY, SILVER PLATED  
"AU" SUFFIX - GOLD PLATED
3. SUPPLIED ON TAPE & REEL, SEE SHEET 2.
4. THIS PRODUCT IS RoHS COMPLIANT

REV	ECO NUMBER	DATE	BY	APVD
B	25810	1-31-08	TJK	TJK
A	25190	2-6-06	JL	GG

★ STAR SYMBOL DENOTES CRITICAL DIMENSION

UNLESS OTHERWISE SPECIFIED

1. ALL DIMENSIONS IN INCHES  
- TWO PLACE DECIMALS ±0.01  
- THREE PLACE DECIMALS ±0.005  
- ANGLES ±1°  
- ALL DIA. CONCENTRIC WITHIN 0.005 T.I.R.
2. FEATURES ON THE SAME CENTERLINE MUST BE ALIGNED WITHIN ±0.002
3. REMOVE ALL BURRS

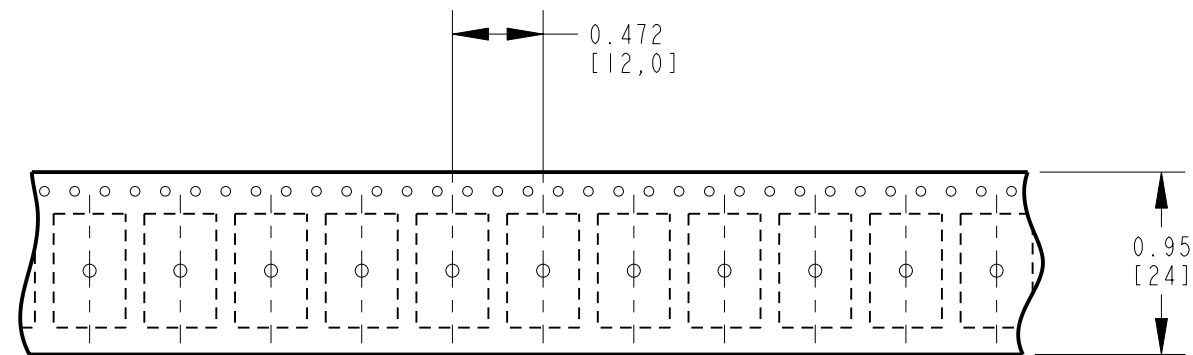
DO NOT SCALE DRAWING

THIS DRAWING DESCRIBES A DESIGN CONSIDERED PROPRIETARY IN NATURE, DEVELOPED AND MANUFACTURED BY SWITCHCRAFT INC. AND IS RELEASED ON A CONFIDENTIAL BASIS FOR IDENTIFICATION PURPOSES ONLY.									
SIZE	WIDTH	MULT	LBS/M	TEMPER					
FINISH					MATERIAL				
SPEC No.					SPEC No.				
FIRST USED ON					SCALE				
					7.5				
DATE DRAWN	BY	CHKD	APVD						
06-Feb-06	JL	GG	GG						
			2-6-06						
NAME					PART No.				
2.5 MM PHONE JACK					MDSMT2-X-MDSMT3-X-SERIES				
SURFACE MOUNT, RoHS					REV				
					B				



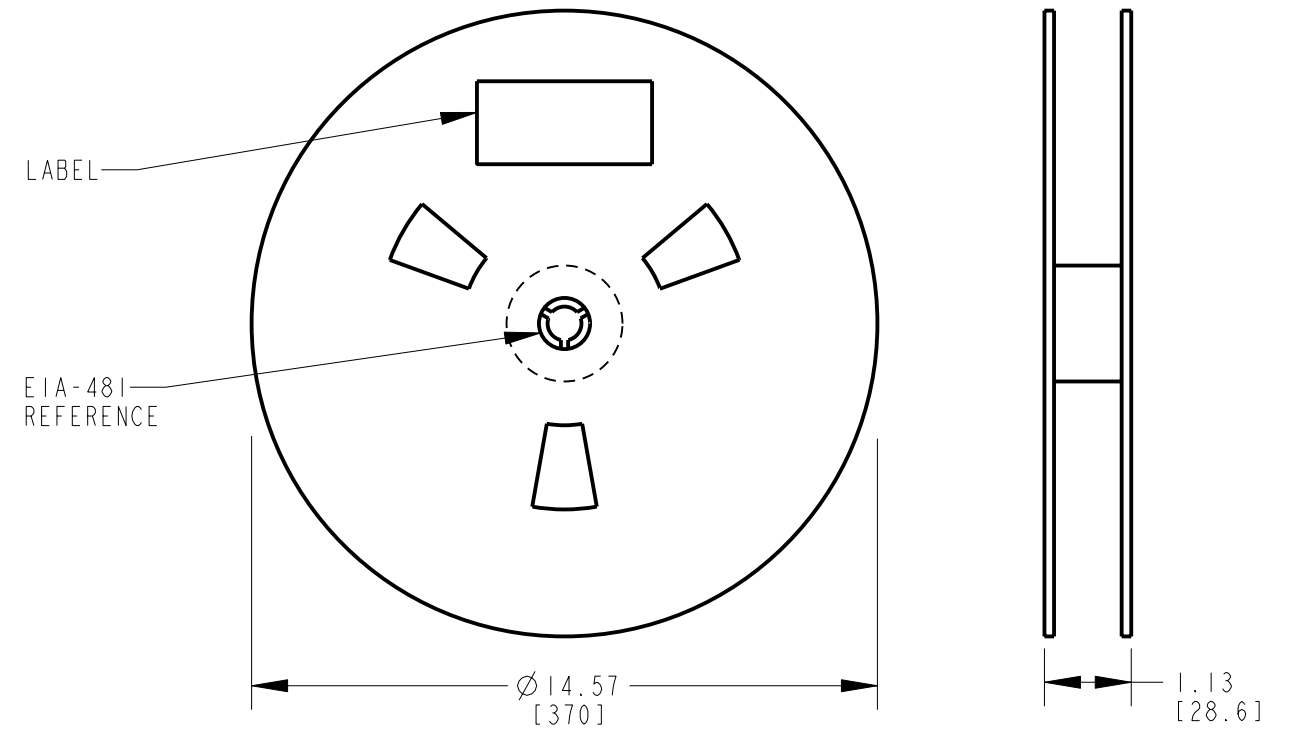
### A: CARRIER SIZE

1. DETAIL SIZES REFERENCE: EIA-481
2. SPECIFICATION: 24 MM X 12 MM
3. COVER TAPE: SPECIFICATION ATTACHED (CONDUCTIVE)



### B: REEL SIZE

1. QUANTITY: 1000 PCS/REEL
2. MATERIAL: THERMOPLASTIC



CUSTOMER DRAWING

SCALE NONE	<b>Switchcraft</b> <sup>®</sup>		
DATE DRAWN 06-Feb-06			
DRAWN BY JL	PART No. MDSMT2_X-MDSMT3_X-SERIES	SHEET 2 OF 2	REV B