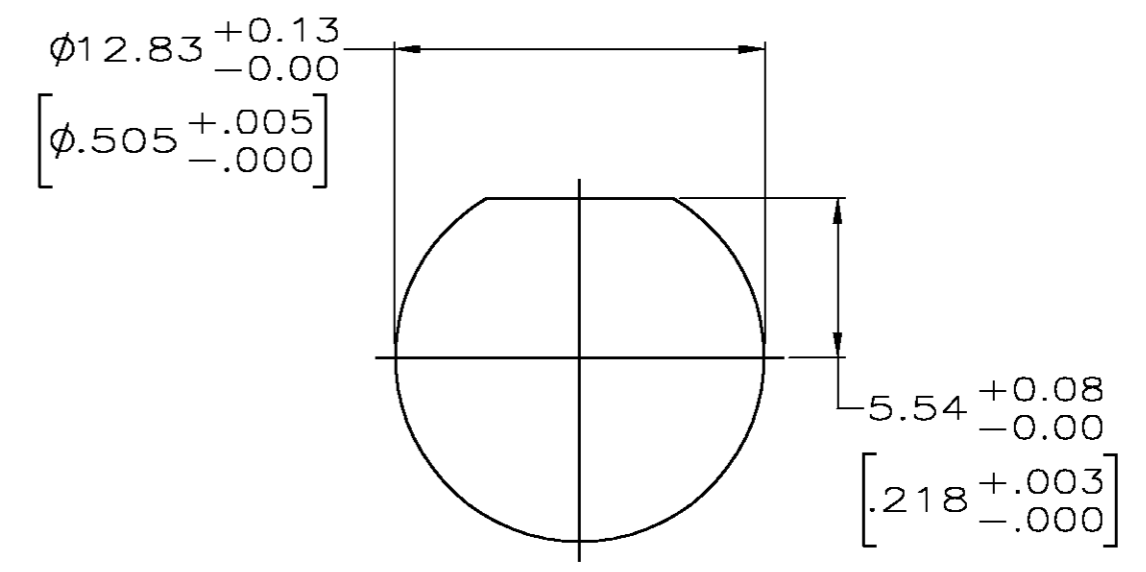
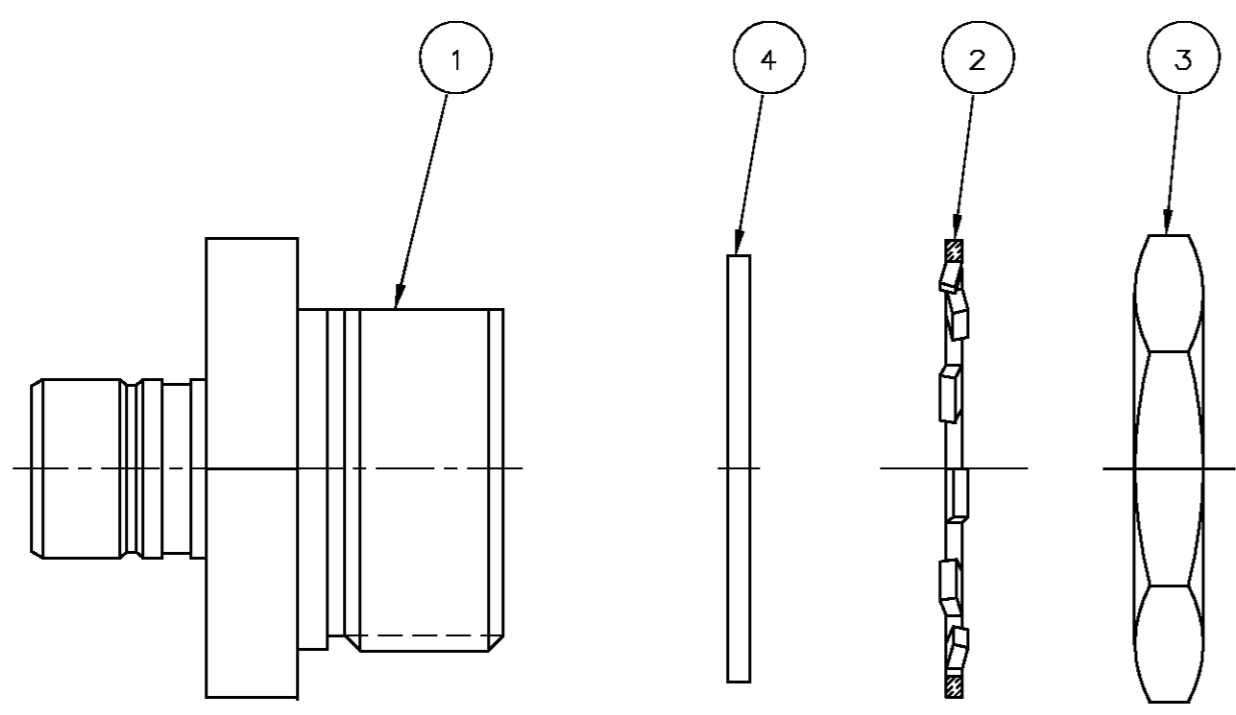
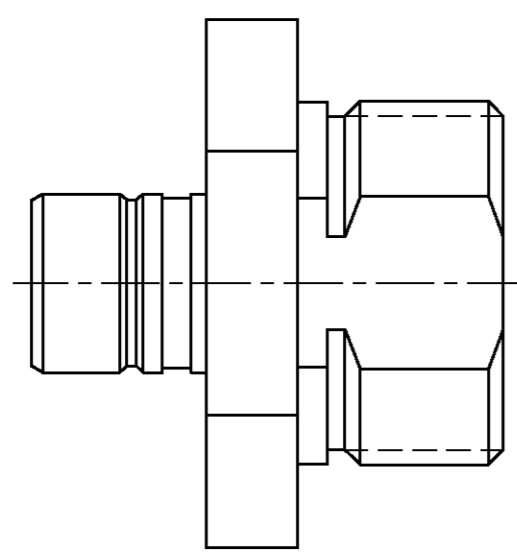


LOC	DIST	REVISIONS			
P	LTR	DESCRIPTION	DATE	DWN	APVD
AJ	31	E OBS -2 PER OS14-0487-02	27APR04	GV	KW



RECOMMENDED PANEL CUTOUT
SCALE 4:1

OBSOLETE	415390-1	2-329631-0	1-329632-2	415386-2	415385-2
	415390-1	2-329631-0	1-329632-2	415386-1	415385-1
	④ GASKET QTY=1	③ JAM NUT QTY=1	② LOCK WASHER QTY=1	① PLUG ASSEMBLY QTY=1	PART NUMBER

THIS DRAWING IS A CONTROLLED DOCUMENT.

DIMENSIONS: mm [INCHES]	TOLERANCES UNLESS OTHERWISE SPECIFIED: 0 PLC ± 1 PLC ± 2 PLC ± 3 PLC ± 4 PLC ± ANGLES ± FINISH -	DWN 4-17-98 BILL MOYER CHK 4-17-98 MICHAEL J. PHILLIPS APVD 4-17-98 MICHAEL J. PHILLIPS PRODUCT SPEC APPLICATION SPEC WEIGHT CUSTOMER DRAWING	AMP AMP Incorporated Harrisburg, PA 17105-3608
ADAPTER, SMB JACK TO F JACK		SIZE A2 CAGE CODE 00779 DRAWING NO. 415385	RESTRICTED TO
SCALE 4:1		SHEET 1 OF 1	REV E