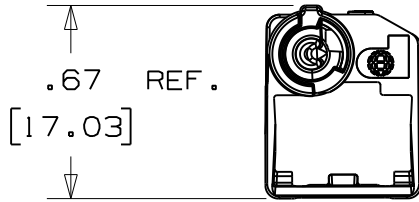
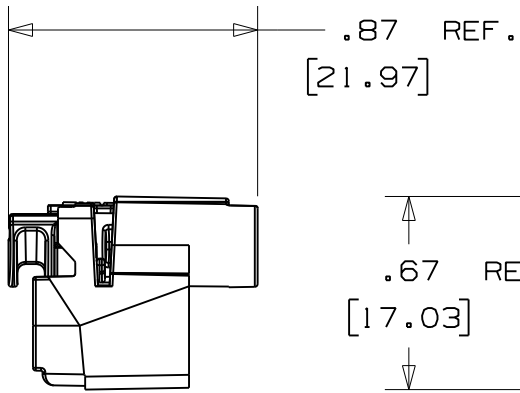
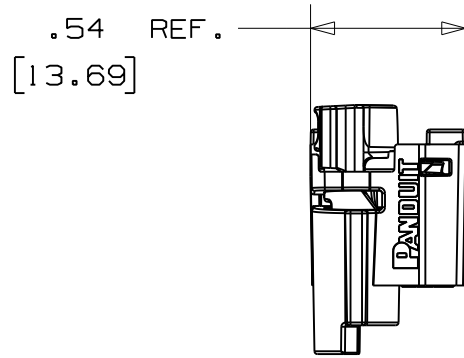
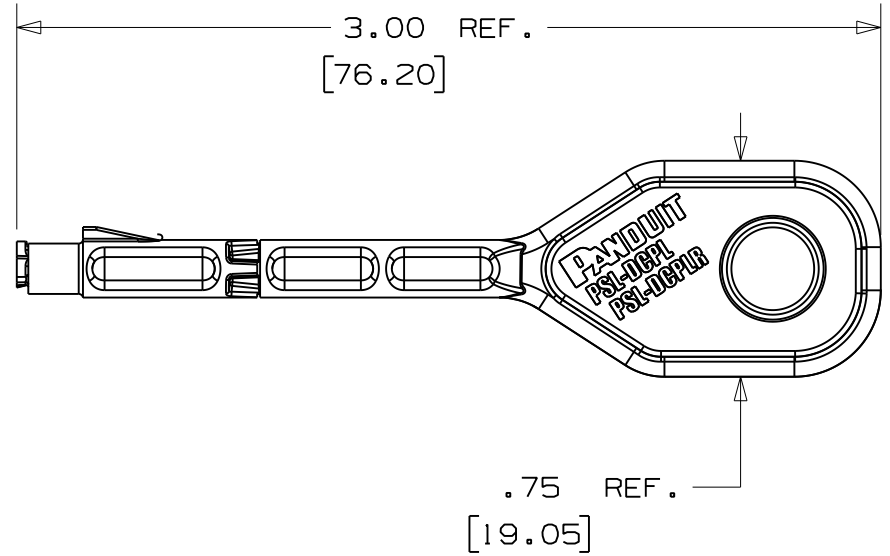


THIS COPY IS PROVIDED ON A RESTRICTED BASIS AND IS NOT TO BE USED IN ANY WAY DETRIMENTAL TO THE INTERESTS OF PANDUIT CORP.



PSL - DCPL



KEY

CAD FILENAME/LAYERS 100913AC_C10608_DCPL_CD_02.prt

PANDUIT CORP. TINLEY PARK, ILLINOIS

PSL - DCPL
CUSTOMER DRAWING

UNLESS OTHERWISE SPECIFIED,
DIMENSIONAL TOLERANCES ARE:
(.X) ± .05 (.XXX) ± .010
(.XX) ± .02 ANGLES ± 2°

UNLESS OTHERWISE SPECIFIED,
ALL DIMENSIONS ARE GIVEN
IN INCHES, THIRD ANGLE PROJECTION.

REV	DATE	BY	CHK	DESCRIPTION	ECN	R	CUST	SUP
2	04/01/08	MROB		DRAWING SIZE WAS 'B'	5380	2		
1	03/14/08	MROB	MSAD	UPDATED REFERENCE PARTS, REMOVED DCPLR. DRAWING SIZE WAS 'C'	5344	1		
0	08/24/07	MROB	MSAD	DRAWING RELEASED	5120	0		

DRAWN BY
MROB
DATE
08/24/07
CHK'D
MSAD

MAT'L:
LOCK-IN
POLYCARBONATE
KEY
10% GF NYLON

SCALE 1.5 : 1

DRAWING NO.
C10608

DWG
A
SIZE