

1 2 3 4 5 6 7

A B C D E F

A B C D E F

**NOTES:**

1.ELECTRICAL:

- ⑥ 1.1 Current Rating: 5 AMPS for total VBUS/GND Pins  
1.25 AMPS for CC Pin  
0.25 AMPS for all other Pin
- ⑥ 1.2 Voltage Rating: 5 V DC/AC (RMS,max)
- ⑥ 1.3 Contact Resistance (LLCR): 40mΩ/Pin Max for VBUS&GND Pins and other Pins  
Shield: 50mΩ/Max  
LLCR Max. Change Of All Pins:10mΩ
- 1.4 Insulation Resistance: 100 MΩ MIN
- 1.5 Dielectric Withstanding Voltage: 100V AC for 1 minute

2.MECHANICAL:

- 2.1 Insertion Force: 0.5~2.0kgf
- 2.2 Extraction Force: 0.8~2.0kgf
- 2.3 Durability:10000 Cycles

⑥ 3.ENVIRONMENTAL:

- 3.1 Temperature Range: -25°C To +85°C

⑤ 4.Soldering Temperature: +260°C max. 10S

5.Packing: Tape & Reel

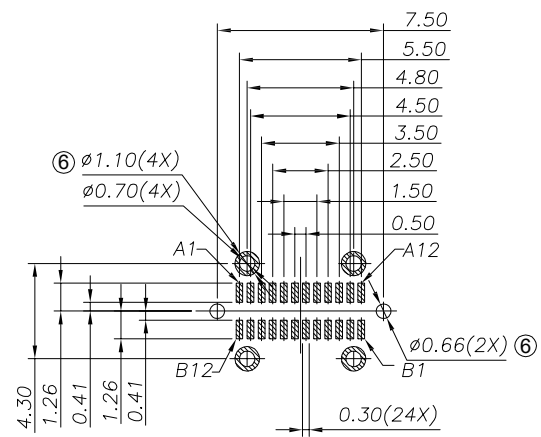
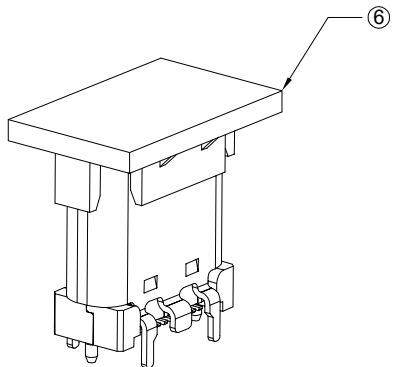
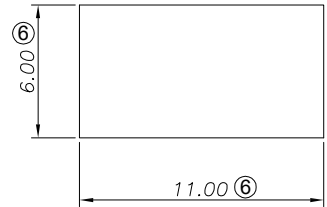
USB TYPE-C PIN ASSIGNMENTS

PIN NUMBER	SIGNAL NAME	PIN NUMBER	SIGNAL NAME
A1	GND	B12	GND
A2	SSTXp1	B11	SSRXp1
A3	SSTXn1	B10	SSRXn1
A4	Vbus	B9	Vbus
A5	CC1	B8	SBU2
A6	Dp1	B7	Dn2
A7	Dn1	B6	Dp2
A8	SBU1	B5	CC2
A9	Vbus	B4	Vbus
A10	SSRXn2	B3	SSTXn2
A11	SSRXp2	B2	SSTXp2
A12	GND	B1	GND

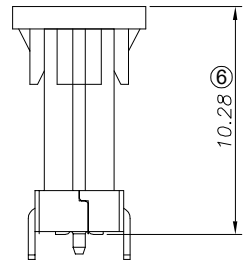
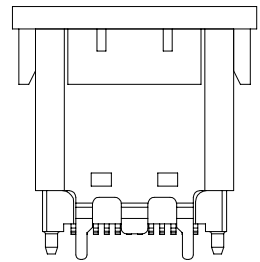
⑥	Item	Description	QTY.	Material	Finish
⑥	5	Emi plate	1	Stainless stell	Clean
⑥	4	Mid plate	1	Stainless stell	Clean
⑥	3	Contact	24	Copper Alloy	Ni underplating overall, Gold flash plating at contact area,Sn plating at solder area
	2	Housing	1	Thermo Plastic, UL94V-0	Molded Color: Black
	1	Front Shell	1	Stainless stell	Ni plating overall

G	RoHS compliant unit:mm	Scale	Free	⑥ Change design to new version and add the page 3	16/11/2021	Peter		Date	Name	Description: Type C / USB 3.1/Gen 2 SMT/ 24Pin / 180° Straight	
		TOLERANCE		⑤ Update	29.10.2019	Carson	Drawn	16/02/2016	Winnie		
H		X.X	±0.30	④ Change design to new version	05.09.2019	Winnie	Approved	16/11/2021	Peter	ASSMANN WSW-NO. ① AUSB1-DFN-HSR4	
		X.XX	±0.20	③ Add dimension	14.11.2018	Xavier					
		X.XXX	±0.10	② Add the page 2	31.05.2017	Winnie					
		DIM	TOL	① Update the P/N&Electrical data&Packing	02.08.2016	Winnie					
		X.X°	±8°							Drawing-No. <b>ASS 7132 CO</b> rev06	
		X.XX°	±5°								
		Angle	TOL	Id.	modification	Date	Name			Customer-No.	SHEET 1 / 3

1 2 3 4 5 6 7



RECOMMENDED PCB LAYOUT(TOP VIEW)  
 DEFAULT TOLERANCE:±0.05



	REEL	CARTON
6 CONNECTOR (PCS)	450	3600

WITH PICK UP COVER

G	RoHS compliant unit:mm	Scale	Free	6	Change design to new version and add the page 3	16/11/2021	Peter		Date	Name	Description: Type C / USB 3.1/Gen 2 SMT/ 24Pin / 180° Straight			
		TOLERANCE		5	Update	29.10.2019	Carson	Drawn	16/02/2016	Winnie				
H		X.X	±0.30	4	Change design to new version	05.09.2019	Winnie	Approved	16/11/2021	Peter	ASSMANN WSW-NO.			
		X.XX	±0.20	3	Add dimension	14.11.2018	Xavier				1 AUSB1-DFN-HSR4			
		X.XXX	±0.10	2	Add the page 2	31.05.2017	Winnie					Drawing-No.	ASS 7132 CO	rev06
		DIM	TOL	1	Update the P/N&Electrical data&Packing	02.08.2016	Winnie					Customer-No.		
		X.X°	±8°			Id.	modification	Date	Name				2 / 3	
		X.XX°	±5°											

1

2

3

4

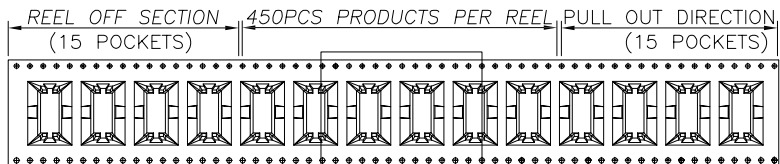
5

6

7

A

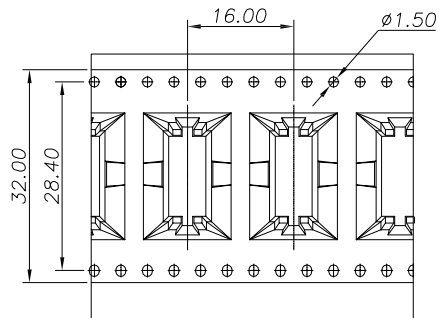
A



REEL OFF DIRECTION

PULL OUT DIRECTION

SEE DETAIL X



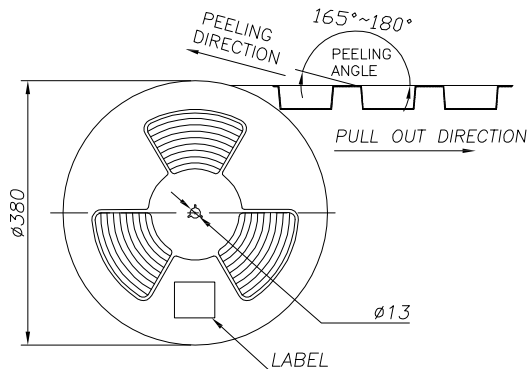
DETAIL X SCALE 2:1

C

C

D

D



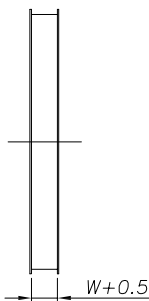
PEELING DIRECTION

165°~180° PEELING ANGLE

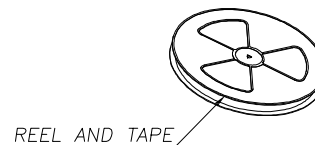
PULL OUT DIRECTION

13

LABEL



W+0.5



REEL AND TAPE

E

E

F

F

	REEL/TRAY	CARTON
⑥ CONNECTOR (PCS)	450	3600

G

G

RoHS compliant

unit:mm

Scale	Free
TOLERANCE	
X.X	±0.30
X.XX	±0.20
X.XXX	±0.10
DIM	TOL
X.X°	±8°
X.XX°	±5°
Id.	

⑥	Change design to new version and add the page 3	16/11/2021	Peter		Date	Name	Description: Type C / USB 3.1/Gen 2 SMT/ 24Pin / 180° Straight
⑤	Update	29.10.2019	Carson	Drawn	16/02/2016	Winnie	
④	Change design to new version	05.09.2019	Winnie	Approved	16/11/2021	Peter	
③	Add dimension	14.11.2018	Xavier				① AUSB1-DFN-HSR4
②	Add the page 2	31.05.2017	Winnie				Drawing-No. ASS 7132 CO
①	Update the P/N&Electrical data&Packing	02.08.2016	Winnie				Customer-No.
	modification	Date	Name				

H

H

1

2

3

4

5

6

7