

## Technical Characteristics

### Part Number

#### Han 6B Kit

Hood	Side Entry
Housing	Single Lever Bulkhead
Material	Die Cast Aluminum
IP / NEMA	IP65 / 4, 4x, 12
Temp Rating	-40 to +125C
Cable Gland	M20 Metal
Cable Diameter	5-9mm / 6-12mm
Insert	Han 6E, 6+GND
Screw Terminals	18-14AWG
Wire Strip Length	7.5mm
Mating Cycles	> 500
Flammability	V-0

**10 33 006 0000**

**UL508**

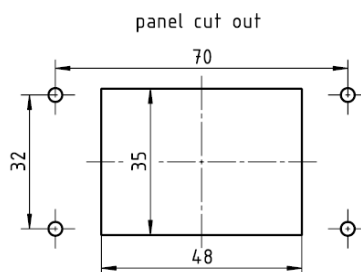
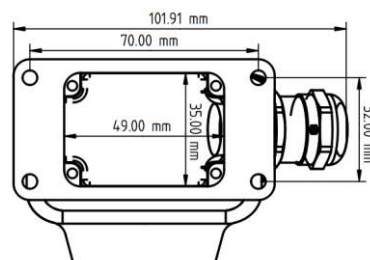
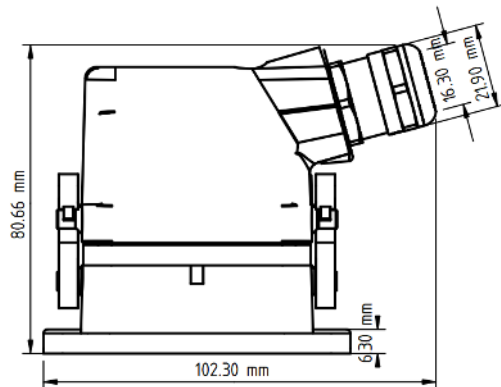


#### Electrical Characteristics

Rated Current	16amps
Rated Voltage	600V UL
Rated Impulse Voltage	6kV

## Drawings and Assembly Information

Dimensions in mm



#### Tooling and Torque Values

Type	Tool	Torque (Nm)
Terminal Screws (M3)	PH1 or Slotted 0.6 x 3.5	0.50
Fixing Screw (M3)	PH2 or Slotted 0.6 x 3.5	0.50
Mounting Screws (M4 recommended)	-	0.8...1.0
Cable Gland (M20)	SW 22	10

#### Kit Contents

Male Insert	09 33 006 2601
Female insert	09 33 006 2701
Housing	09 30 006 0301
Hood	19 30 006 1540
Cable Gland	19 00 000 5081

For further information, please reach out to [techsupportUS@HARTING.com](mailto:techsupportUS@HARTING.com)