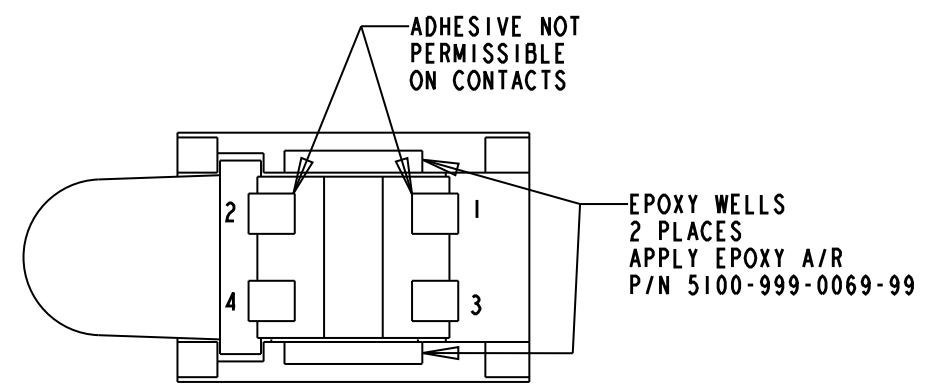
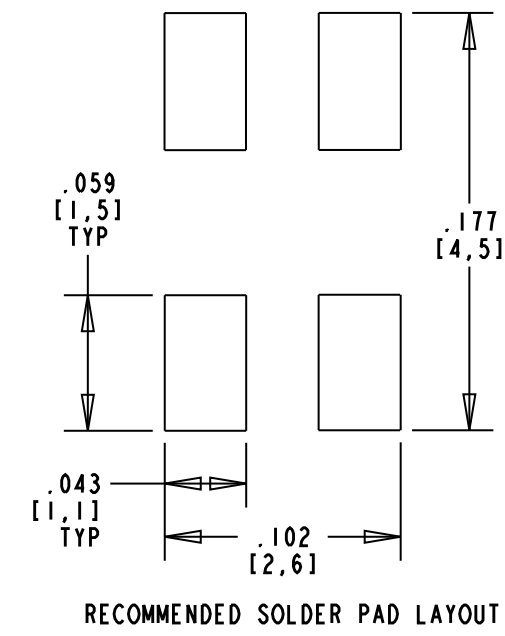
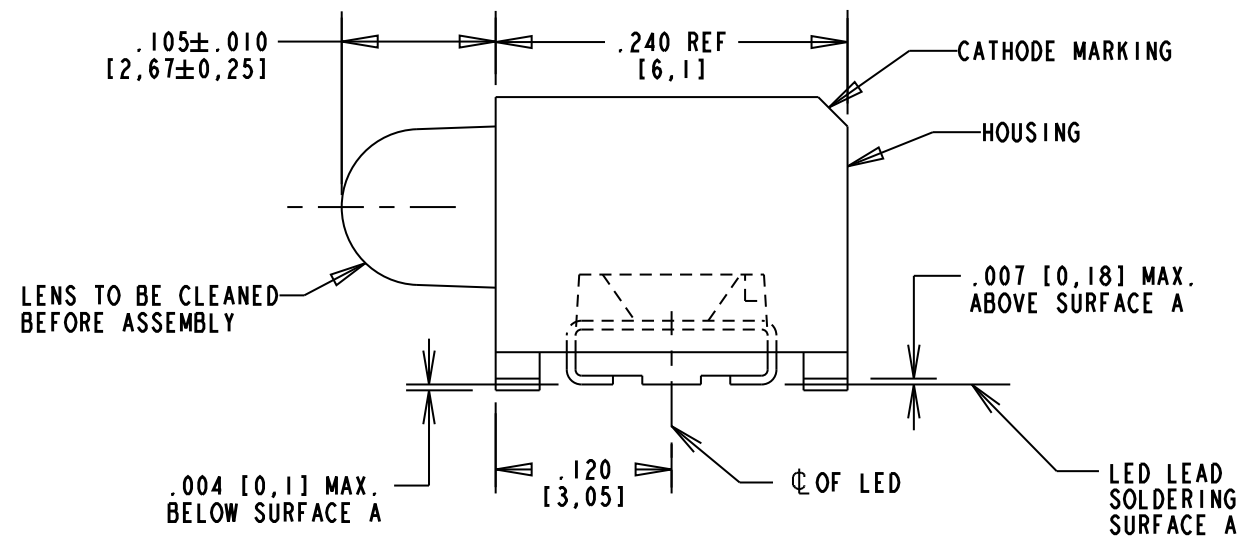
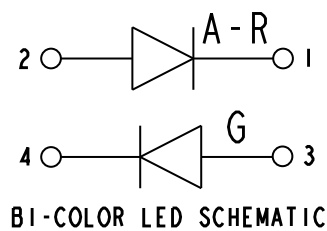
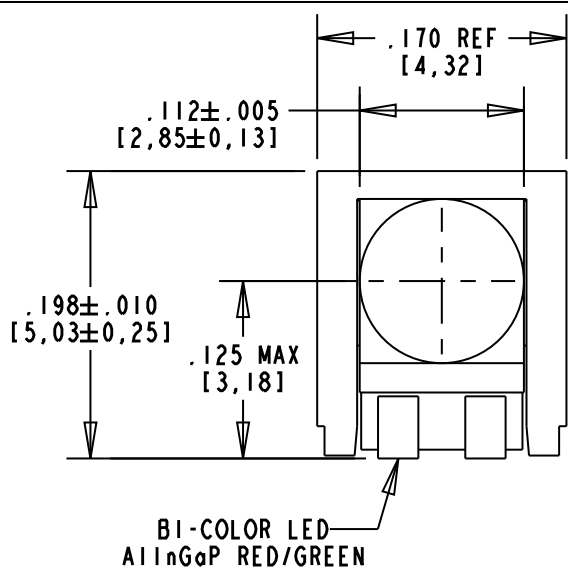
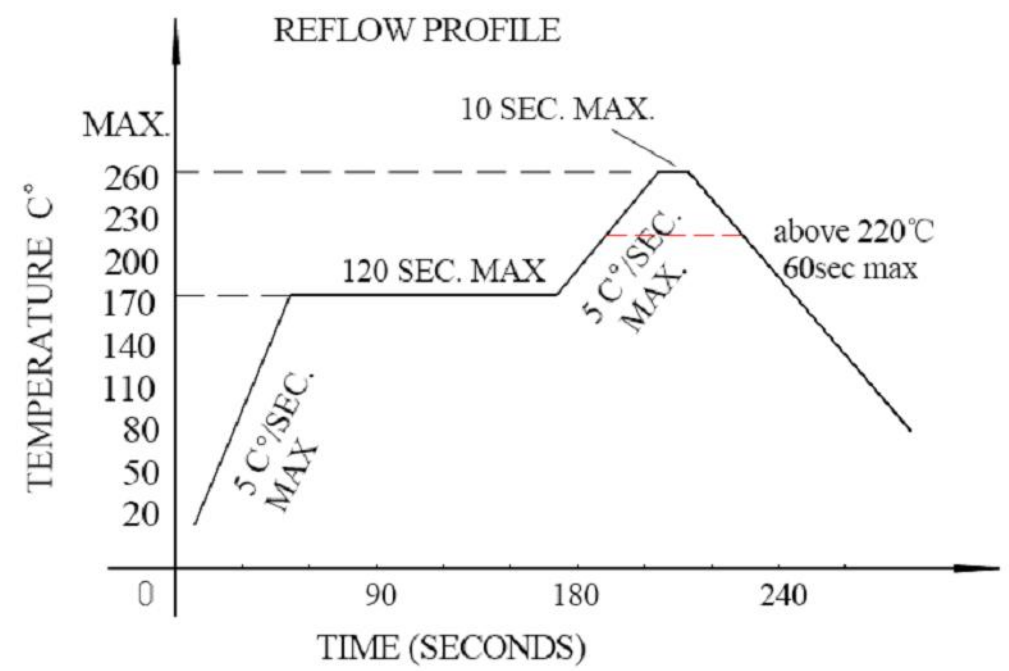


REV	ECN NO	REVISIONS	DRN	CKD	APP	DATE
A		NEW RELEASE	KLJ	NO	MES	10-16-08
B		UPDATED LED SPECS; CHANGED "ORANGE-RED" TO "AlInGaP RED"	AJF	KLJ	NO	10-26-09

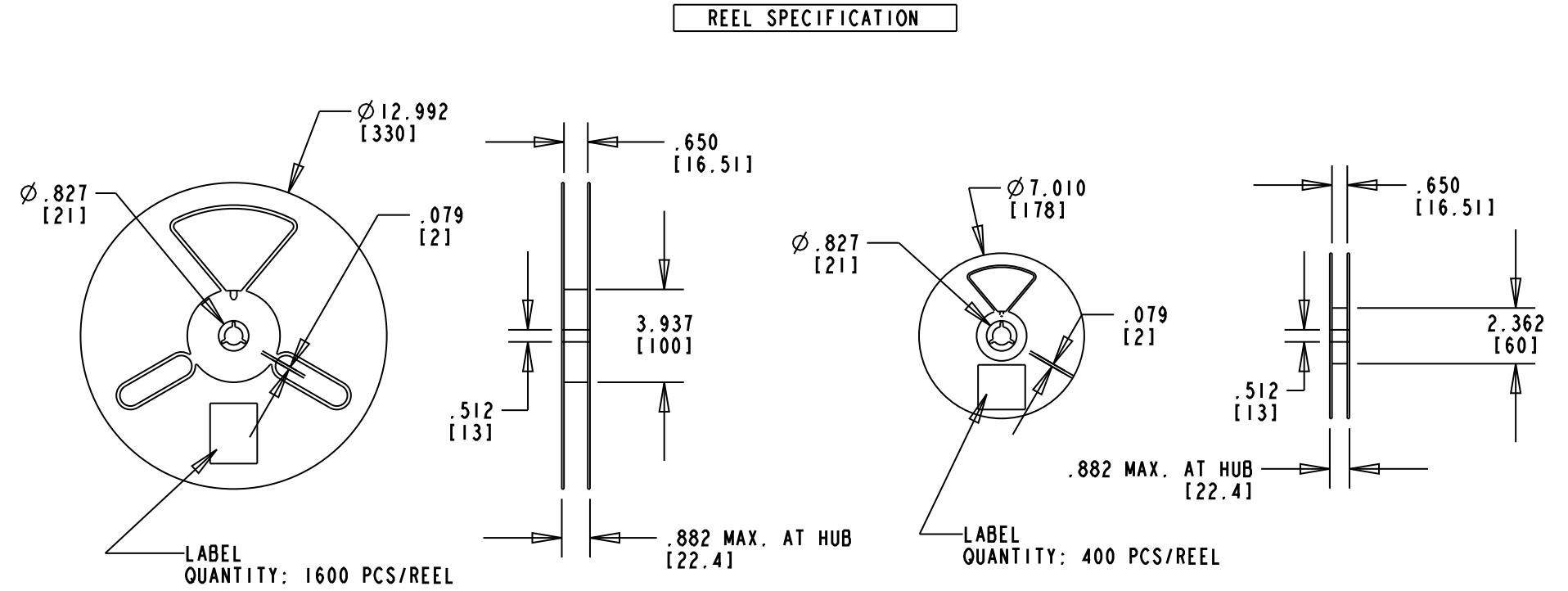
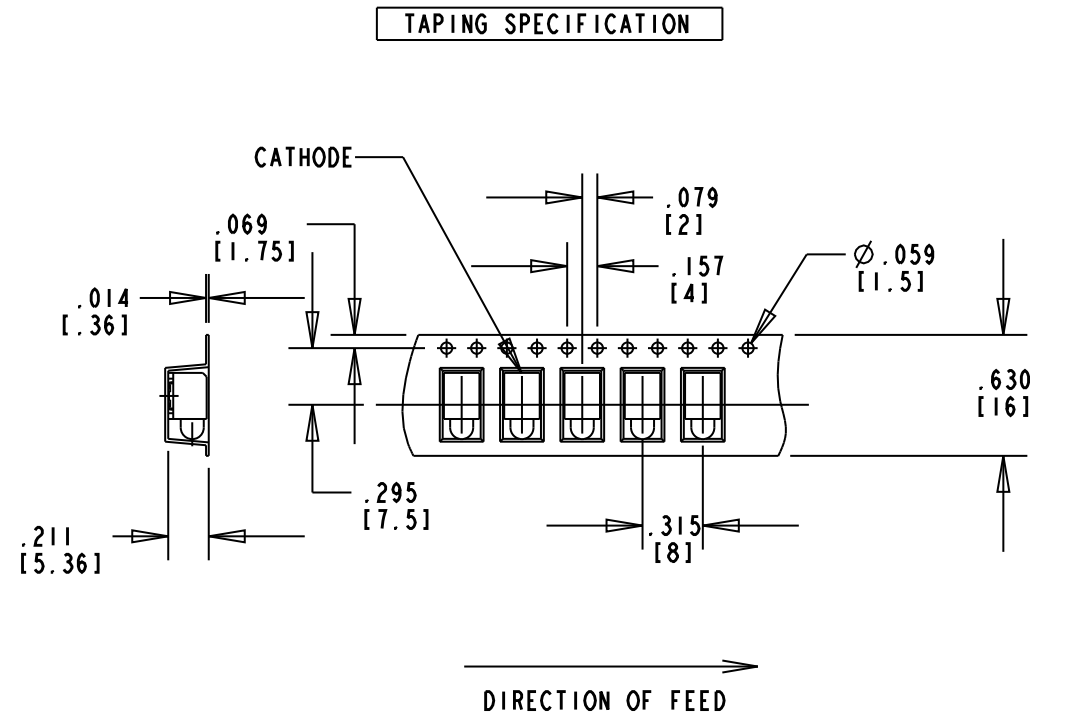


ABSOLUTE MAXIMUM RATINGS AT TA=25°C	COLOR		UNITS
	AlInGaP RED	GREEN	
POWER DISSIPATION	66	105	mW
FORWARD CURRENT	30		mA
PULSE FORWARD CURRENT	100		mA
REVERSE VOLTAGE	5		V
DERATE LINEARLY FROM 80°C	0.5		mA/°C
OPERATING TEMPERATURE	-40 TO +100		°C
STORAGE TEMPERATURE	-40 TO +100		°C
HAND SOLDERING TEMPERATURE, 5 SEC.	260		°C

OPERATING CHARACTERISTICS AT 25°C AMBIENT						
CHARACTERISTICS	COLOR	MIN	TYP	MAX	UNITS	TEST CONDITIONS
LUMINOUS INTENSITY	AlInGaP RED	100	175	250	mcd	I _r = 20 mA
	GREEN	300	450	600		
FORWARD VOLTAGE	AlInGaP RED	1.8	—	2.2	V	I _r = 20 mA
	GREEN	3.0	—	3.5		
DOMINANT WAVELENGTH	AlInGaP RED	620	625	630	nm	I _r = 20 mA
	GREEN	520	525	530		
REVERSE CURRENT	ALL	—	—	10	µA	V _r = 5 V
VIEWING ANGLE	ALL	—	50	—	Degree	I _r = 20 mA

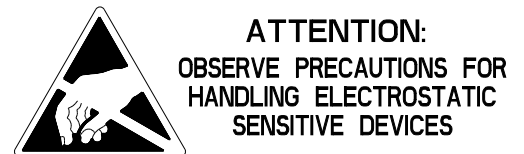


- NOTES:
- MILLIMETER DIMENSIONS SHOWN FOR REFERENCE ONLY.
 - PAD NUMBERS FOR REFERENCE ONLY, DESIGNATION NON-EXISTENT ON PART.
 - STORAGE CONDITIONS FOR TAPED PRODUCT: RE-TAPING MAY BE NECESSARY FOR PRODUCT STORED MORE THAN TWELVE MONTHS.
 - ORDER QUANTITY IS LED ASSEMBLIES, NOT REELS.
 - 835F SUFFIX MEANS PARTS ARE PACKED ON A 20 PCS SAMPLE STRIP.
-836F SUFFIX MEANS PARTS ARE PACKED ON A 7 INCH REEL, 400 PCS/REEL.
-837F SUFFIX MEANS PARTS ARE PACKED ON A 13 INCH REEL, 1600 PCS/REEL.
 - LENS MOVEMENT IN RELATIONSHIP TO THE HOUSING IS:
.009" T.I.R. VERTICALLY.
.007" T.I.R. HORIZONTALLY.
 - FRONT AND REAR TERMINALS OF ASSEMBLY TO BE WITHIN .005 COPLANARITY.
 - DIALIGHT PART NUMBER: 591-3001-835F, 591-3001-836F, 591-3001-837F.
 - DEVICE HAS A MOISTURE SENSITIVITY LEVEL "3" CAUTION LABEL APPLIED AS PER JEDEC STD. 033.
 - THIS ASSEMBLY CONTAINS ELECTROSTATIC DISCHARGE SENSITIVE DEVICES (ESDS). MAINTAIN ALL PRECAUTIONARY MEASURES DURING ASSEMBLY, HANDLING, AND STORAGE IN ACCORDANCE WITH IPC-A-610.



TOLERANCE: .004 UNLESS OTHERWISE SPECIFIED.
MILLIMETER DIMENSIONS SHOWN FOR REFERENCE ONLY.

RoHS Compliant 591-3001-83XF
Part Numbers with the "F" suffix ending are RoHS Compliant.
For example: 591-3001-836F
Reel and bag packaging are marked with "RoHS Compliant" label or equivalent markings. These parts can be used with RoHS reflow profile. Parts can be wave soldered, dip soldered or hand soldered using typical lead-free soldering process with max 260°C temp. for 5 sec.



THIS DRAWING AND THE CONTENTS HEREIN ARE CONFIDENTIAL AND THE SOLE PROPERTY OF DIALIGHT. REPRODUCTION OF THIS DRAWING OR CONSTRUCTION OF ANY PARTS WITHIN THIS DRAWING ARE FORBIDDEN WITHOUT THE WRITTEN CONSENT OF DIALIGHT.		
SCALE: DRAWING SCALE	DRAWING NUMBER	REV
ALL DIM'S IN: INCHES (MM)	C-17658	B
TOLERANCES: UNLESS OTHERWISE SPECIFIED	TITLE AlInGaP RED/GREEN BI-COLOR PRISM ROUND LENS; RoHS COMPLIANT	
FRACTIONS: ±1/64	MATERIAL	
DECIMALS (.XX): ±.02	Dialight	
DECIMALS (.XXX): ±.015	1501 ROUTE 34 SOUTH FARMINGDALE, NJ 07727	
ANGLES: ±3°	FINISH:	
FSCM 83330	SHEET 1 OF 1 FAMILY TABLE:	