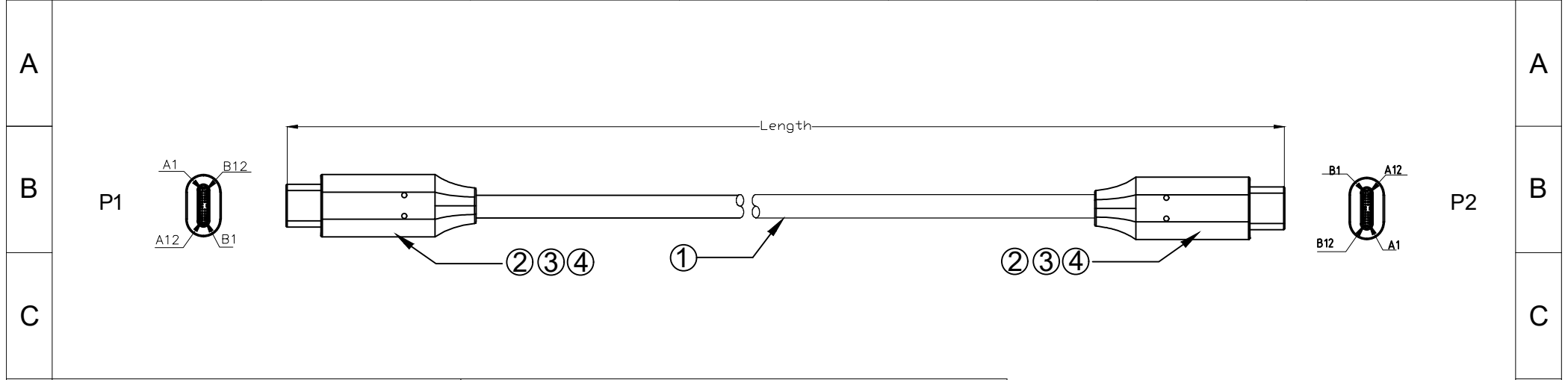
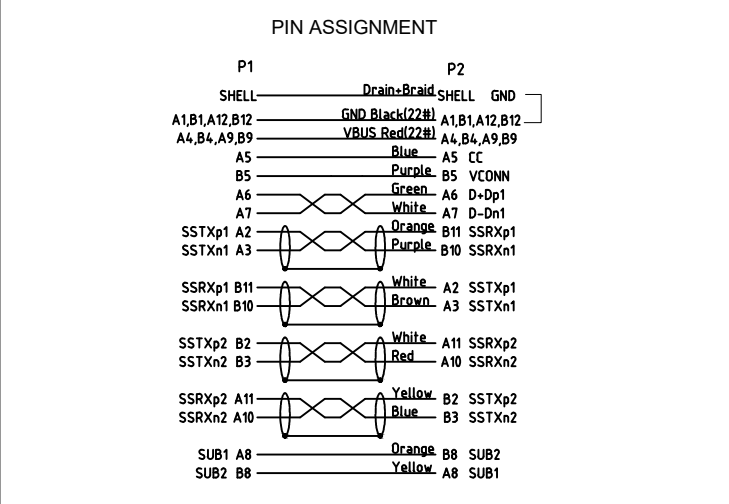


1 2 3 4 5 6 7



NOTE:
 1. Transmission speed: 10Gbps
 2. Conductive resistance: 5Ω Max
 3. Insulation resistance: 10MΩ Min/300VDC, 10ms
 4. 100% open, short, miswire test.
 5. Charging: 20V/5A, 100W



WSW P/N	Length
A-USB32C1-32C1-100-B	1000±30
A-USB32C1-32C1-150-B	1500±40
A-USB32C1-32C1-180-B	1800±40

4	Over mold	PVC 60P BK, UL94V-0	NA	G
3	Inner mold	LD-PE	NA	G
2	CONN	Type-C male, contact 3u" Au plated	2	PCS
1	CABLE	(7/0.08TC×FMPEØ0.58×1P+AL+MY)×4P+7/0.08TC×HDPEØ0.45×1P+7/0.08TC×HDPEØ0.45×4C+42/0.10TC×HDPEØ1.1×2C+AL+B96/0.08TC PVC Black OD5.2	1	PCS
NO.	NAME	DESCRIPTION	Q'TY	UNIT

G	RoHS compliant Unit: mm	Scale	Free					Date	Name	Customer-No.		
		TOLERANCE						Drawn	24.04.2023	Daniel		
H	DIM	TOL	①	Update part number	23.05.2023	Luca		Approved	23.05.2023	Luca	ASSMANN WSW-No. A-USB32C1-32C1-xxx-B	
			②	Drawn	24.04.2023	Daniel					Drawing-No. ASS 10519 CA rev01	
	Angle	TOL	Id.	Modification	Date	Name					Replace	Sheet 1 / 1

1 2 3 4 5 6 7 CAB1076