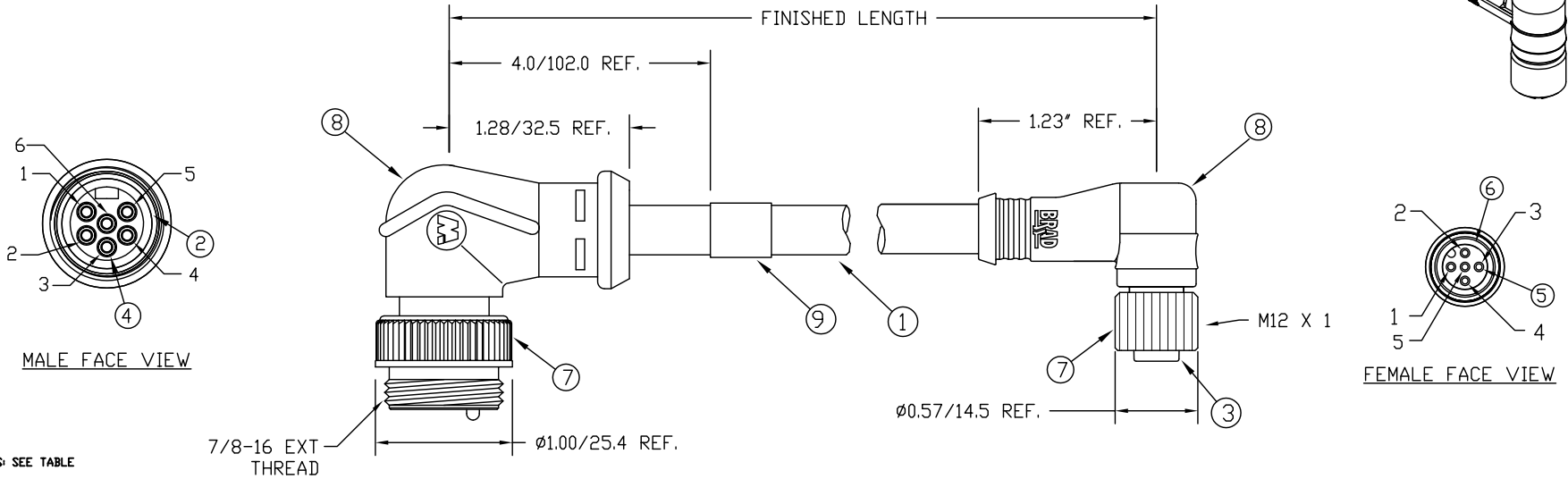
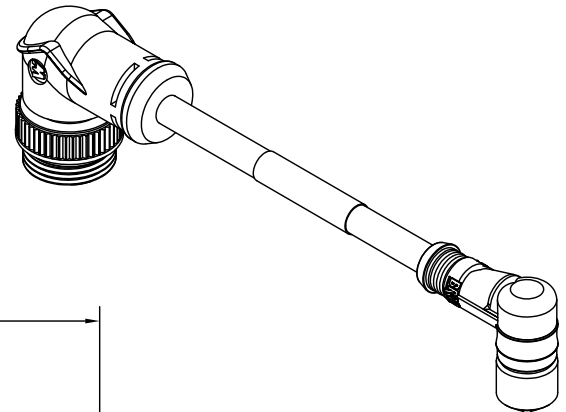
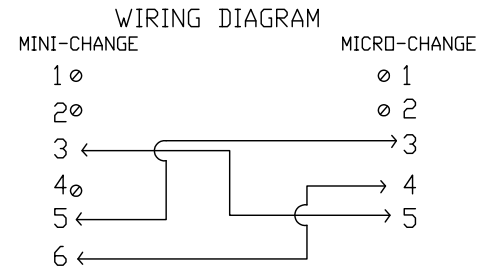


MATERIAL NUMBER	ENGINEERING NUMBER	FINISHED LENGTH
130010-1657	41627-M010	3.28' +2.19' -0 [1.0M +55.6mm -0]



- NOTES:
- 1) MATERIALS: SEE TABLE
 - 2) FINISHES: SEE TABLE
 - 3) CABLE: #18/3 ITC PVC
 - 4) ELECTRICAL DATA:
MAX. VOLTAGE: 300 VAC/VDC
MAX. CURRENT 4 AMPS
 - 5) ENVIRONMENTAL:
PROTECTION IP67
TEMPERATURE RANGE: -20°C TO 105°C
 - 6) WRAP LABEL IS MARKED WITH P/N, DATE CODE, VOLTAGE & AMPERAGE.
 - 7) ASSEMBLY IS RoHS COMPLIANT.



ITEM	QTY.	DESCRIPTION	MATERIAL	FINISH
9	1	LABEL	MYLAR	BLACK/YELLOW
8	2	DVERMOLD	TPE	RED
7	2	COUPLING NUT	ZINC DIECAST	BLACK E-COAT
6	1	O-RING	VITON	RED
5	5	CONTACT SOCKET	COPPER ALLOY	GOLD OVER NICKEL
4	6	CONTACT PIN	COPPER ALLOY	GOLD OVER NICKEL
3	1	FEMALE INSERT, 5 POLE	NYLON	BLACK
2	1	MALE INSERT, 6 POLE	PVC	YELLOW
1	1	CABLE, ITC #18/3	PVC JACKET	GRAY

RELEASED DRAWING
 EC NO: WNA2010-0430
 DRWN: BWOODMAN 2010/01/05
 CHKD: YOU 2009/08/11
 APPR: JFMURPHY 2010/01/15

QUALITY SYMBOLS
 ▽=0
 ∇=0

GENERAL TOLERANCES (UNLESS SPECIFIED)

	mm	INCH
4 PLACES	±---	±---
3 PLACES	±---	±.005
2 PLACES	±0.13	±.010
1 PLACE	±0.25	±.020

ANGULAR ±1/2°

DRAFT WHERE APPLICABLE
 MUST REMAIN
 WITHIN DIMENSIONS

DIMENSION STYLE
 IN/MM

DRAWN BY DATE

CHECKED BY DATE
 YOU 2009/1/5

APPROVED BY DATE
 JFMURPHY 2010/01/15

MATERIAL NO.
 SEE TABLE

SIZE
 A

SCALE
 1:1

DESIGN UNITS
 INCH

THIRD ANGLE PROJECTION

TITLE
 MINI TO M12 CORDSET
 6P MALE/ 5P FEMALE 90/90
 #18-3 GRAYPVC- ITC RATED

MOLEX INCORPORATED

DOCUMENT NO.
 SD-130010-012

SHEET NO.
 1 OF 1

THIS DRAWING CONTAINS INFORMATION THAT IS PROPRIETARY TO MOLEX INCORPORATED AND SHOULD NOT BE USED WITHOUT WRITTEN PERMISSION