

| CKTS | DIM A | DIM B | DIM C | |
|------|--------|--------|--------|------|
| 4 | 5.08 | 2.54 | NA | 0.10 |
| 6 | 7.62 | 5.08 | 2.54 | 0.10 |
| 8 | 10.16 | 7.62 | 5.08 | 0.10 |
| 10 | 12.70 | 10.16 | 7.62 | 0.10 |
| 12 | 15.24 | 12.70 | 10.16 | 0.10 |
| 14 | 17.78 | 15.24 | 12.70 | 0.10 |
| 16 | 20.32 | 17.78 | 15.24 | 0.10 |
| 18 | 22.86 | 20.32 | 17.78 | 0.10 |
| 20 | 25.40 | 22.86 | 20.32 | 0.10 |
| 22 | 27.94 | 25.40 | 22.86 | 0.15 |
| 24 | 30.48 | 27.94 | 25.40 | 0.15 |
| 26 | 33.02 | 30.48 | 27.94 | 0.15 |
| 28 | 35.56 | 33.02 | 30.48 | 0.15 |
| 30 | 38.10 | 35.56 | 33.02 | 0.15 |
| 32 | 40.64 | 38.10 | 35.56 | 0.15 |
| 34 | 43.18 | 40.64 | 38.10 | 0.15 |
| 36 | 45.72 | 43.18 | 40.64 | 0.15 |
| 38 | 48.26 | 45.72 | 43.18 | 0.15 |
| 40 | 50.80 | 48.26 | 45.72 | 0.15 |
| 42 | 53.34 | 50.80 | 48.26 | 0.23 |
| 44 | 55.88 | 53.34 | 50.80 | 0.23 |
| 46 | 58.42 | 55.88 | 53.34 | 0.23 |
| 48 | 60.96 | 58.42 | 55.88 | 0.23 |
| 50 | 63.50 | 60.96 | 58.42 | 0.23 |
| 52 | 66.04 | 63.50 | 60.96 | 0.23 |
| 54 | 68.58 | 66.04 | 63.50 | 0.23 |
| 56 | 71.12 | 68.58 | 66.04 | 0.23 |
| 58 | 73.66 | 71.12 | 68.58 | 0.23 |
| 60 | 76.20 | 73.66 | 71.12 | 0.23 |
| 62 | 78.74 | 76.20 | 73.66 | 0.30 |
| 64 | 81.28 | 78.74 | 76.20 | 0.30 |
| 66 | 83.82 | 81.28 | 78.74 | 0.30 |
| 68 | 86.36 | 83.82 | 81.28 | 0.30 |
| 70 | 88.90 | 86.36 | 83.82 | 0.30 |
| 72 | 91.44 | 88.90 | 86.36 | 0.30 |
| 74 | 93.98 | 91.44 | 88.90 | 0.30 |
| 76 | 96.52 | 93.98 | 91.44 | 0.30 |
| 78 | 99.06 | 96.52 | 93.98 | 0.30 |
| 80 | 101.60 | 99.06 | 96.52 | 0.30 |
| 90 | 114.30 | 111.76 | 109.22 | 0.38 |
| 100 | 127.00 | 124.46 | 122.06 | 0.38 |



PCB LAYOUT: COMPONENT SIDE
(FOR CKT 04,06 AND 08 REFER SHEET 2)

PEG OPTIONS
NO PEG
1.40 = SHORT PEG
3.30 = LONG PEG



SOLDER PAD FOR CKTS WITHOUT PEGS

NOTES:

- HOUSING MATERIAL: LCP, UL 94V-0 COLOR: BLACK
PIN MATERIAL: COPPER ALLOY
- FINISH:
124 = BRIGHT TIN: 3.81 MICROMETERS MIN OVER MATTE NICKEL
207 = SELECT GOLD: 0.38 MICROMETERS MIN IN CONTACT AREA
SELECT BRIGHT TIN: 2.0 MICROMETERS MIN IN SMT TAIL BOTH OVER NICKEL.
206 = SELECT GOLD: 0.75 MICROMETERS MIN IN CONTACT AREA
SELECT BRIGHT TIN: 2.0 MICROMETERS MIN IN SMT TAIL BOTH OVER NICKEL.
197 = REFLOW MATTE TIN: 1.52 MICROMETERS MIN OVER MATTE NICKEL
222 = MATTE TIN: 2.54 MICROMETERS MIN OVER MATTE NICKEL
118 = BRIGHT TIN: 1.52 MICROMETERS MIN OVER NICKEL
- PRODUCT SPECIFICATION: PS-71308
- PACKAGING SPECIFICATION: SEE CHART
- COSMETIC SPECIFICATION: PS-45499-002 CLASS B
- SOLDERABILITY SPECIFICATION: SMES-152



| DRAWING SHEET INDEX | | |
|---------------------|------------------|---------------------|
| SHEET NO | PEG STYLE | DIM M MATING HEIGHT |
| 2 | NONE | 6.10 |
| 3 | NONE | 6.10 |
| 4 | NONE | 8.13 |
| 5 | LONG | 6.10 |
| 6 | LONG | 8.13 |
| 7 | SHORT | 6.10 |
| 8 | SHORT | 8.13 |
| 9 | PARTS WITH VOIDS | |

THIS DRAWING CONTAINS INFORMATION THAT IS PROPRIETARY TO MOLEX ELECTRONIC TECHNOLOGIES, LLC AND SHOULD NOT BE USED WITHOUT WRITTEN PERMISSION

| | | | |
|--|------------------------|--------------------|------------|
| DIMENSION UNITS mm | SCALE 3:1 | CURRENT REV DESC: | |
| GENERAL TOLERANCES (UNLESS SPECIFIED) | | EC NO: 743966 | |
| ANGULAR TOL | ± ° | DRWN: DANUSA | 2022/10/27 |
| 4 PLACES | ± | CHK'D: SUAIFR | 2023/03/31 |
| 3 PLACES | ± | APPR: MRAMAKRISHNA | 2023/03/31 |
| 2 PLACES | ± 0.13 | INITIAL REVISION: | |
| 1 PLACE | ± 0.25 | DRWN: KSAMIEC | 2017/09/07 |
| 0 PLACES | ± 0.0 | APPR: FSMITH | 2018/07/03 |
| DRAFT WHERE APPLICABLE MUST REMAIN WITHIN DIMENSIONS | THIRD ANGLE PROJECTION | DRAWING | SERIES |
| | | B-SIZE | 71308 |

| | | | |
|--------------------------|----------|----------|--------------|
| molex | | | |
| | | | |
| PRODUCT CUSTOMER DRAWING | | | |
| DOCUMENT NUMBER | DOC TYPE | DOC PART | REVISION |
| 713080000-SD | PSD | 000 | A9 |
| MATERIAL NUMBER | CUSTOMER | | SHEET NUMBER |
| | | | 1 OF 10 |

PICK AND PLACE CAP POSITION TO CONNECTOR

FOR CKT 04 and 08



FOR CKT 06



FOR CKT 12,16,20,24,28,32,36,40,44,48,52,56,60
64,68,72,76,80,84,88,92,96 and 100



FOR CKT 10,14,18,22,26,30,34,38,42,46,50,54,58
62,66,70,74,78,82,86,90,94 and 98



PICK AND PLACE CAP DIMENSIONS



KEEP OUT ZONE FOR CKT 04, 06 and 08
AS CAP DIM IS LARGER THAN PART DIM



| | | | | | | | | | |
|---|--|----------|---------|-------------------|--------|--------------|-----------------|---|----------|
| THIS DRAWING CONTAINS INFORMATION THAT IS PROPRIETARY TO MOLEX ELECTRONIC TECHNOLOGIES, LLC AND SHOULD NOT BE USED WITHOUT WRITTEN PERMISSION | | | | | | | | | |
| DIMENSION UNITS | | SCALE | | CURRENT REV DESC: | | | | | |
| mm | | 5:1 | | | | | | | |
| GENERAL TOLERANCES (UNLESS SPECIFIED) | | | | | | | | | |
| ANGULAR TOL ± ° | | | | | | | | | |
| 4 PLACES ± | | | | | | | | | |
| 3 PLACES ± | | | | | | | | | |
| 2 PLACES ± 0.13 | | | | | | | | | |
| 1 PLACE ± 0.25 | | | | | | | | | |
| 0 PLACES ± 0.0 | | | | | | | | | |
| DRAFT WHERE APPLICABLE MUST REMAIN WITHIN DIMENSIONS | | | | | | | | | |
| THIRD ANGLE PROJECTION | | | DRAWING | | SERIES | | MATERIAL NUMBER | | CUSTOMER |
| | | | A3-SIZE | | 71308 | | 713080000-SD | | |
| EC NO: 743966 | | | | DRWN: DANUSA | | 2022/10/27 | | | |
| CHK'D: SUAIFR | | | | 2023/03/31 | | | | CGRID HEADER ASSY VERTICAL DUAL ROW SMT | |
| APPR: MRAMAKRISHNA | | | | 2023/03/31 | | | | PRODUCT CUSTOMER DRAWING | |
| INITIAL REVISION: | | | | DRWN: KSAMIEC | | 2017/09/07 | | DOCUMENT NUMBER | |
| APPR: FSMITH | | | | 2018/07/03 | | | | 713080000-SD | |
| DOC TYPE | | DOC PART | | REVISION | | SHEET NUMBER | | | |
| PSD | | 000 | | A9 | | 2 OF 10 | | | |

| 10 | 9 | 8 | 7 | 6 | 5 | 4 | 3 | 2 | 1 |
|---------------------|--------------------------|-------------------|--------------------------|--------------------------|-------------------|--------------------------|--------------------------|-------------------|--------------------------|
| PLATING: | 124 - BRIGHT TIN | 124 - BRIGHT TIN | 124 - BRIGHT TIN | 207 - 0.38 SGOLD | 207 - 0.38 SGOLD | 207 - 0.38 SGOLD | 206 - 0.76 SGOLD | 206 - 0.76 SGOLD | 206 - 0.76 SGOLD |
| PACKAGING: | TUBE 713080001-PK | TUBE 713080002-PK | T&R 713080000-PK STYLE A | TUBE 713080001-PK | TUBE 713080002-PK | T&R 713080000-PK STYLE A | TUBE 713080001-PK | TUBE 713080002-PK | T&R 713080000-PK STYLE A |
| PICK AND PLACE CAPS | NO | YES | YES | NO | YES | YES | NO | YES | YES |
| CKTS: | MATERIAL NO | MATERIAL NO | MATERIAL NO | MATERIAL NO | MATERIAL NO | MATERIAL NO | MATERIAL NO | MATERIAL NO | MATERIAL NO |
| 4 | 015-91-2040 | NA | 015-91-6040 | 015-91-0040 | NA | 015-91-6042 | 015-91-3040 | NA | 015-91-6043 |
| 6 | 015-91-2060 / 71308-9060 | NA | 015-91-6060 | 015-91-0060 | NA | 015-91-6062 | 015-91-3060 / 71308-9061 | NA | 015-91-6063 |
| 8 | 015-91-2080 / 71308-9080 | 015-91-3087 | 015-91-6080 | 015-91-0080 | 015-91-3086 | 015-91-6082 | 015-91-3080 | 015-91-3088 | 015-91-6083 |
| 10 | 015-91-2100 | 015-91-3107 | 015-91-6100 | 015-91-0100 | 015-91-3106 | 015-91-6102 | 015-91-3100 / 71308-3110 | 015-91-3108 | 015-91-6103 |
| 12 | 015-91-2120 | 015-91-3127 | 015-91-6120 | 015-91-0120 | 015-91-3126 | 015-91-6122 | 015-91-3120 | 015-91-3128 | 015-91-6123 |
| 14 | 015-91-2140 | 015-91-3147 | 015-91-6140 | 015-91-0140 / 71308-9140 | 015-91-3146 | 015-91-6142 | 015-91-3140 | 015-91-3148 | 015-91-6143 |
| 16 | 015-91-2160 | 015-91-3167 | 015-91-6160 | 015-91-0160 | 015-91-3166 | 015-91-6162 | 015-91-3160 | 015-91-3168 | 015-91-6163 |
| 18 | 015-91-2180 | 015-91-3187 | | 015-91-0180 | 015-91-3186 | | 015-91-3180 | 015-91-3188 | |
| 20 | 015-91-2200 | 015-91-3207 | 015-91-6200 | 015-91-0200 / 71308-9200 | 015-91-3206 | 015-91-6202 | 015-91-3200 | 015-91-3208 | 015-91-6203 |
| 22 | 015-91-2220 | 015-91-3227 | | 015-91-0220 | 015-91-3226 | | 015-91-3220 | 015-91-3228 | |
| 24 | 015-91-2240 | 015-91-3247 | 71308-2240 | 015-91-0240 | 015-91-3246 | | 015-91-3240 | 015-91-3248 | |
| 26 | 015-91-2260 | 015-91-3267 | 015-91-6260 | 015-91-0260 | 015-91-3266 | 015-91-6262 | 015-91-3260 | 015-91-3268 | |
| 28 | 015-91-2280 | 015-91-3287 | | 015-91-0280 | 015-91-3286 | | 015-91-3280 | 015-91-3288 | |
| 30 | 015-91-2300 | 015-91-3307 | | 015-91-0300 | 015-91-3306 | | 015-91-3300 | 015-91-3308 | |
| 32 | 015-91-2320 | 015-91-3327 | | 015-91-0320 | 015-91-3326 | | 015-91-3320 | 015-91-3328 | |
| 34 | 015-91-2340 | 015-91-3347 | | 015-91-0340 | 015-91-3346 | | 015-91-3340 | 015-91-3348 | |
| 36 | 015-91-2360 | 015-91-3367 | | 015-91-0360 | 015-91-3366 | | 015-91-3360 | 015-91-3368 | |
| 38 | 015-91-2380 | 015-91-3387 | | 015-91-0380 | 015-91-3386 | | 015-91-3380 | 015-91-3388 | |
| 40 | 015-91-2400 | 015-91-3407 | 015-91-6400 | 015-91-0400 | 015-91-3406 | 015-91-6402 | 015-91-3400 | 015-91-3408 | 015-91-6403 |
| 42 | 015-91-2420 | 015-91-3427 | | 015-91-0420 | 015-91-3426 | | 015-91-3420 | 015-91-3428 | |
| 44 | 015-91-2440 | 015-91-3447 | | 015-91-0440 | 015-91-3446 | | 015-91-3440 | 015-91-3448 | |
| 46 | 015-91-2460 | 015-91-3467 | | 015-91-0460 | 71308-0546 | | 015-91-3460 | 015-91-3468 | |
| 48 | 015-91-2480 | 015-91-3487 | | 015-91-0480 | 015-91-3486 | | 015-91-3480 | 015-91-3488 | |
| 50 | 015-91-2500 | 015-91-3507 | 015-91-6500 | 015-91-0500 | 015-91-3506 | 015-91-6502 | 015-91-3500 | 015-91-3508 | 015-91-6503 |
| 52 | 015-91-2520 | 015-91-3527 | | 015-91-0520 | 015-91-3526 | | 015-91-3520 | 015-91-3528 | |
| 54 | 015-91-2540 | 015-91-3547 | | 015-91-0540 | 015-91-3546 | | 015-91-3540 | 015-91-3548 | |
| 56 | 015-91-2560 | 015-91-3567 | | 015-91-0560 | 015-91-3566 | | 015-91-3560 | 015-91-3568 | |
| 58 | 015-91-2580 | 015-91-3587 | | 015-91-0580 | 015-91-3586 | | 015-91-3580 | 015-91-3588 | |
| 60 | 015-91-2600 | 015-91-3607 | | 015-91-0600 | 015-91-3606 | | 015-91-3600 | 015-91-3608 | |
| 62 | 015-91-2620 | 015-91-3627 | | 015-91-0620 | 015-91-3626 | | 015-91-3620 | 015-91-3628 | |
| 64 | 015-91-2640 | 015-91-3647 | | 015-91-0640 | 015-91-3646 | | 015-91-3640 | 015-91-3648 | |
| 66 | 015-91-2660 | 015-91-3667 | | 015-91-0660 | 015-91-3666 | | 015-91-3660 | 015-91-3668 | |
| 68 | 015-91-2680 | 015-91-3687 | | 015-91-0680 | 015-91-3686 | | 015-91-3680 | 015-91-3688 | |
| 70 | 015-91-2700 | 015-91-3707 | | 015-91-0700 | 015-91-3706 | | 015-91-3700 | 015-91-3708 | |
| 72 | 015-91-2720 | 015-91-3727 | | 015-91-0720 | 015-91-3726 | | 015-91-3720 | 015-91-3728 | |
| 74 | 015-91-2740 | 015-91-3747 | | 015-91-0740 | 015-91-3746 | | 015-91-3740 | 015-91-3748 | |
| 76 | 015-91-2760 | 015-91-3767 | | 015-91-0760 | 015-91-3766 | | 015-91-3760 | 015-91-3768 | |
| 78 | 015-91-2780 | 015-91-3787 | | 015-91-0780 | 015-91-3786 | | 015-91-3780 | 015-91-3788 | |
| 80 | 015-91-2800 | 015-91-3807 | | 015-91-0800 | 015-91-3806 | | 015-91-3800 | 015-91-3808 | |
| 90 | | | | 71308-0190 | | | | | |
| 100 | 71308-0101 | 71308-0500 | | 71308-0200 | 71308-0600 | | 71308-0300 | 71308-0700 | |

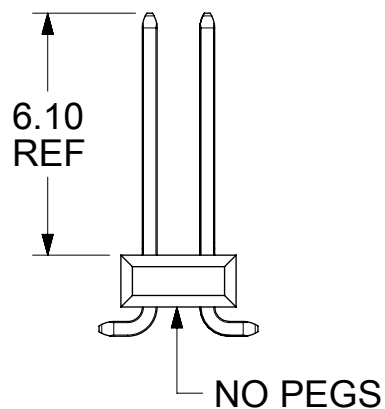
PARTS ON THIS SHEET ARE
WITHOUT PEGS
WITH 6.10 MATING LENGTH



| | | | | | | | | | |
|---|------------------------|---|--------|--|--|--|--|--|--|
| THIS DRAWING CONTAINS INFORMATION THAT IS PROPRIETARY TO MOLEX ELECTRONIC TECHNOLOGIES, LLC AND SHOULD NOT BE USED WITHOUT WRITTEN PERMISSION | | | | | | | | | |
| DIMENSION UNITS | SCALE | CURRENT REV DESC: | | | | | | | |
| mm | 1:1 | molex CGRID HEADER ASSY VERTICAL DUAL ROW SMT PRODUCT CUSTOMER DRAWING DOCUMENT NUMBER: 713080000-SD DOC TYPE: PSD DOC PART: 000 REVISION: A9 MATERIAL NUMBER: CUSTOMER: SHEET NUMBER: 3 OF 10 | | | | | | | |
| GENERAL TOLERANCES (UNLESS SPECIFIED) | | | | | | | | | |
| ANGULAR TOL | ± ° | | | | | | | | |
| 4 PLACES | ± | | | | | | | | |
| 3 PLACES | ± | | | | | | | | |
| 2 PLACES | ± 0.13 | | | | | | | | |
| 1 PLACE | ± 0.25 | | | | | | | | |
| 0 PLACES | ± 0.0 | | | | | | | | |
| DRAFT WHERE APPLICABLE MUST REMAIN WITHIN DIMENSIONS | THIRD ANGLE PROJECTION | DRAWING | SERIES | | | | | | |
| | | B-SIZE | 71308 | | | | | | |

| 10 | 9 | 8 | 7 | 6 | 5 | 4 | 3 | 2 | 1 |
|---------------------|-------------------|------------------|-------------------|--------------------------|-------------------|--------------------------|--------------------------|-------------|-------------|
| PLATING: | 197 - REFLOW TIN | 207 - 0.38 SGOLD | 118 - BRIGHT TIN | 118 - BRIGHT TIN | 118 - BRIGHT TIN | 197 - REFLOW TIN | 197 - REFLOW TIN | | |
| PACKAGING: | TUBE 713080001-PK | T&R 713080000-PK | TUBE 713080001-PK | T&R 713080000-PK STYLE A | TUBE 713080002-PK | T&R 713080000-PK STYLE A | T&R 713080000-PK STYLE A | | |
| PICK AND PLACE CAPS | NO | YES | NO | YES | YES | YES | YES | | |
| CKTS: | MATERIAL NO | MATERIAL NO | MATERIAL NO | MATERIAL NO | MATERIAL NO | MATERIAL NO | MATERIAL NO | MATERIAL NO | MATERIAL NO |
| 4 | 71308-2104 | | 71308-5404 | 71308-5504 | NA | | | | |
| 6 | 71308-2106 | | 71308-5406 | 71308-5506 | NA | | | | |
| 8 | 71308-2108 | | 71308-5408 | 71308-5508 | 71308-5608 | | | | |
| 10 | 71308-2110 | 71308-3111 (A7) | 71308-5410 | 71308-5510 | 71308-5610 | | 71308-1810 | | |
| 12 | 71308-2112 | | 71308-5412 | 71308-5512 | 71308-5612 | | | | |
| 14 | 71308-2114 | | 71308-5414 | 71308-5514 | 71308-5614 | | | | |
| 16 | 71308-2116 | | 71308-5416 | 71308-5516 | 71308-5616 | 71308-1561 | | | |
| 18 | 71308-2118 | | 71308-5418 | | 71308-5618 | | | | |
| 20 | 71308-2120 | | 71308-5420 | 71308-5520 | 71308-5620 | | | | |
| 22 | 71308-2122 | | 71308-5422 | | 71308-5622 | | | | |
| 24 | 71308-2124 | | 71308-5424 | | 71308-5624 | | | | |
| 26 | 71308-2126 | | 71308-5426 | | 71308-5626 | | | | |
| 28 | 71308-2128 | | 71308-5428 | | 71308-5628 | | | | |
| 30 | 71308-2130 | | 71308-5430 | | 71308-5630 | | | | |
| 32 | 71308-2132 | | 71308-5432 | | 71308-5632 | | | | |
| 34 | 71308-2134 | | 71308-5434 | | 71308-5634 | | | | |
| 36 | 71308-2136 | | 71308-5436 | | 71308-5636 | | | | |
| 38 | 71308-2138 | | 71308-5438 | | 71308-5638 | | | | |
| 40 | 71308-2140 | | 71308-5440 | 71308-5540 | 71308-5640 | | | | |
| 42 | 71308-2142 | | 71308-5442 | | 71308-5642 | | | | |
| 44 | 71308-2144 | | 71308-5444 | | 71308-5644 | | | | |
| 46 | 71308-2146 | | 71308-5446 | | 71308-5646 | | | | |
| 48 | 71308-2148 | | 71308-5448 | | 71308-5648 | | | | |
| 50 | 71308-2150 | | 71308-5450 | 71308-5550 | 71308-5650 | | | | |
| 52 | 71308-2152 | | 71308-5452 | | 71308-5652 | | | | |
| 54 | 71308-2154 | | 71308-5454 | | 71308-5654 | | | | |
| 56 | 71308-2156 | | 71308-5456 | | 71308-5656 | | | | |
| 58 | 71308-2158 | | 71308-5458 | | 71308-5658 | | | | |
| 60 | 71308-2160 | | 71308-5460 | | 71308-5660 | | | | |
| 62 | 71308-2162 | | 71308-5462 | | 71308-5662 | | | | |
| 64 | 71308-2164 | | 71308-5464 | | 71308-5664 | | | | |
| 66 | 71308-2166 | | 71308-5466 | | 71308-5666 | | | | |
| 68 | 71308-2168 | | 71308-5468 | | 71308-5668 | | | | |
| 70 | 71308-2170 | | 71308-5470 | | 71308-5670 | | | | |
| 72 | 71308-2172 | | 71308-5472 | | 71308-5672 | | | | |
| 74 | 71308-2174 | | 71308-5474 | | 71308-5674 | | | | |
| 76 | 71308-2176 | | 71308-5476 | | 71308-5676 | | | | |
| 78 | 71308-2178 | | 71308-5478 | | 71308-5678 | | | | |
| 80 | 71308-2180 | | 71308-5480 | | 71308-5680 | | | | |
| 100 | | | 71308-5500 | | 71308-5700 | | | | |

PARTS ON THIS SHEET ARE
WITHOUT PEGS
WITH 6.10 MATING LENGTH
CONTINUED FROM SHEET 2



| | | | | | | | | | |
|---|------------------------|-------------------------------|--------|-----------------|---|--|----------|--------------|----------|
| THIS DRAWING CONTAINS INFORMATION THAT IS PROPRIETARY TO MOLEX ELECTRONIC TECHNOLOGIES, LLC AND SHOULD NOT BE USED WITHOUT WRITTEN PERMISSION | | | | | | | | | |
| DIMENSION UNITS | SCALE | CURRENT REV DESC: | | | molex | | | | |
| mm | 1:1 | | | | | | | | |
| GENERAL TOLERANCES (UNLESS SPECIFIED) | | EC NO: 743966 | | | CGRID HEADER ASSY VERTICAL DUAL ROW SMT | | | | |
| ANGULAR TOL | ± ° | DRWN: DANUSA 2022/10/27 | | | | | | | |
| 4 PLACES | ± | CHK'D: SUAIFR 2023/03/31 | | | | | | | |
| 3 PLACES | ± | APPR: MRAMAKRISHNA 2023/03/31 | | | | | | | |
| 2 PLACES | ± 0.13 | INITIAL REVISION: | | | PRODUCT CUSTOMER DRAWING | | | | |
| 1 PLACE | ± 0.25 | DRWN: KSAMIEC 2017/09/07 | | | DOCUMENT NUMBER | | DOC TYPE | DOC PART | REVISION |
| 0 PLACES | ± 0.0 | APPR: FSMITH 2018/07/03 | | | 713080000-SD | | PSD | 000 | A9 |
| DRAFT WHERE APPLICABLE MUST REMAIN WITHIN DIMENSIONS | THIRD ANGLE PROJECTION | DRAWING | SERIES | MATERIAL NUMBER | CUSTOMER | | | SHEET NUMBER | |
| | | B-SIZE | 71308 | | | | | 4 OF 10 | |

| 10 | 9 | 8 | 7 | 6 | 5 | 4 | 3 | 2 | 1 |
|---------------------|-------------------|--------------------------|-------------------|--------------------------|-------------------|--------------------------|-------------------|--------------------------|-------------------|
| PLATING: | 124 - BRIGHT TIN | 124 - BRIGHT TIN | 197 - REFLOW TIN | 197 - REFLOW TIN | 207 - 0.38 SGOLD | 207 - 0.38 SGOLD | 206 - 0.76 SGOLD | 118 - BRIGHT TIN | 118 - BRIGHT TIN |
| PACKAGING: | TUBE 713080003-PK | T&R 713080000-PK STYLE B | TUBE 713080003-PK | T&R 713080000-PK STYLE B | TUBE 713080003-PK | T&R 713080000-PK STYLE B | TUBE 713080003-PK | T&R 713080000-PK STYLE B | TUBE 713080003-PK |
| PICK AND PLACE CAPS | NO | YES | NO | YES | NO | YES | NO | YES | NO |
| CKTS: | MATERIAL NO | MATERIAL NO | MATERIAL NO | MATERIAL NO | MATERIAL NO | MATERIAL NO | MATERIAL NO | MATERIAL NO | MATERIAL NO |
| 4 | 71308-8004 | | | | 015-91-0048 | | 015-91-5049 | | |
| 6 | 71308-8006 | | | | 015-91-0068 | | 015-91-5069 | | |
| 8 | 71308-8008 | | | | 015-91-0088 | 71308-6908 | 015-91-5089 | | |
| 10 | 71308-8010 | | | | 015-91-0108 | | 015-91-5109 | | 71308-5810 |
| 12 | 71308-8012 | | | | 015-91-0128 | | 015-91-5129 | | |
| 14 | 71308-8014 | | | | 015-91-0148 | | 015-91-5149 | | |
| 16 | 71308-8016 | | 71308-8017 | 71308-0015 | 015-91-0168 | | 015-91-5169 | | 71308-5816 |
| 18 | 71308-8018 | | | | 015-91-0188 | | 015-91-5189 | | |
| 20 | 71308-8020 | | | | 015-91-0208 | | 015-91-5209 | | |
| 22 | 71308-8022 | | | | 015-91-0228 | | 015-91-5229 | | |
| 24 | 71308-8024 | 71308-8124 | | | 015-91-0248 | | 015-91-5249 | 71308-5724 | 71308-5824 |
| 26 | 71308-8026 | | | | 015-91-0268 | | 015-91-5269 | | |
| 28 | 71308-8028 | | | | 015-91-0288 | | 015-91-5289 | | |
| 30 | 71308-8030 | | | | 015-91-0308 | | 015-91-5309 | | |
| 32 | 71308-8032 | | | | | | | | |
| 34 | 71308-8034 | | | | 015-91-0348 | | 015-91-5349 | | |
| 36 | 71308-8036 | | | | 015-91-0368 | | 015-91-5369 | | |
| 38 | 71308-8038 | | | | 015-91-0388 | | 015-91-5389 | | |
| 40 | 71308-8040 | | | | 015-91-0408 | | 015-91-5409 | | |
| 42 | 71308-8042 | | | | 015-91-0428 | | 015-91-5429 | | |
| 44 | 71308-8044 | | | | 015-91-0448 | | 015-91-5449 | | |
| 46 | 71308-8046 | | | | 015-91-0468 | | 015-91-5469 | | |
| 48 | 71308-8048 | | | | 015-91-0488 | | 015-91-5489 | | |
| 50 | 71308-8050 | | | | 015-91-0508 | | 015-91-5509 | | |
| 52 | 71308-8052 | | | | 015-91-0528 | | 015-91-5529 | | |
| 54 | 71308-8054 | | | | 015-91-0548 | | 015-91-5549 | | |
| 56 | 71308-8056 | | | | 015-91-0568 | | 015-91-5569 | | |
| 58 | 71308-8058 | | | | 015-91-0588 | | 015-91-5589 | | |
| 60 | 71308-8060 | | | | 015-91-0608 | | 015-91-5609 | | |
| 62 | 71308-8062 | | | | 015-91-0628 | | 015-91-5629 | | |
| 64 | 71308-8064 | | | | 015-91-0648 | | 015-91-5649 | | |
| 66 | 71308-8066 | | | | 015-91-0668 | | 015-91-5669 | | |
| 68 | 71308-8068 | | | | 015-91-0688 | | 015-91-5689 | | |
| 70 | 71308-8070 | | | | 015-91-0708 | | 015-91-5709 | | |
| 72 | 71308-8072 | | | | 015-91-0728 | | 015-91-5729 | | |
| 74 | 71308-8074 | | | | 015-91-0748 | | 015-91-5749 | | |
| 76 | 71308-8076 | | | | 015-91-0768 | | 015-91-5769 | | |
| 78 | 71308-8078 | | | | 015-91-0788 | | 015-91-5789 | | |
| 80 | 71308-8080 | | | | 015-91-0808 | | 015-91-5809 | | |
| 100 | | | | | 71308-1200 | | 71308-1300 | | |

PARTS ON THIS SHEET ARE
WITHOUT PEGS
WITH A MATING HEIGHT OF 8.13



| | | | | | | | | | |
|---|--------|-------------------------------|---------|--------|---|--|----------|----------|--------------|
| THIS DRAWING CONTAINS INFORMATION THAT IS PROPRIETARY TO MOLEX ELECTRONIC TECHNOLOGIES, LLC AND SHOULD NOT BE USED WITHOUT WRITTEN PERMISSION | | | | | | | | | |
| DIMENSION UNITS | SCALE | CURRENT REV DESC: | | | molex | | | | |
| mm | 1:1 | | | | | | | | |
| GENERAL TOLERANCES (UNLESS SPECIFIED) | | EC NO: 743966 | | | CGRID HEADER ASSY VERTICAL DUAL ROW SMT | | | | |
| ANGULAR TOL | ± ° | DRWN: DANUSA 2022/10/27 | | | | | | | |
| 4 PLACES | ± | CHK'D: SUAIFR 2023/03/31 | | | | | | | |
| 3 PLACES | ± | APPR: MRAMAKRISHNA 2023/03/31 | | | | | | | |
| 2 PLACES | ± 0.13 | INITIAL REVISION: | | | PRODUCT CUSTOMER DRAWING | | | | |
| 1 PLACE | ± 0.25 | DRWN: KSAMIEC 2017/09/07 | | | DOCUMENT NUMBER | | DOC TYPE | DOC PART | REVISION |
| 0 PLACES | ± 0.0 | APPR: FSMITH 2018/07/03 | | | 713080000-SD | | PSD | 000 | A9 |
| DRAFT WHERE APPLICABLE MUST REMAIN WITHIN DIMENSIONS | | THIRD ANGLE PROJECTION | DRAWING | SERIES | MATERIAL NUMBER | | CUSTOMER | | SHEET NUMBER |
| | | | B-SIZE | 71308 | | | | | 5 OF 10 |

10 9 8 7 6 5 4 3 2 1

| PLATING: | 124 - BRIGHT TIN | 207 - 0.38 SGOLD | 206 - 0.76 SGOLD | 124 - BRIGHT TIN | 207 - 0.38 GOLD | 206 - 0.76 GOLD | 118 - BRIGHT TIN | 118 - BRIGHT TIN |
|---------------------|-------------------|--------------------------|-------------------|--------------------------|--------------------------|--------------------------|-------------------|--------------------------|
| PACKAGING: | TUBE 713080001-PK | TUBE 713080001-PK | TUBE 713080001-PK | T&R 713080000-PK STYLE C | T&R 713080000-PK STYLE C | T&R 713080000-PK STYLE C | TUBE 713080001-PK | T&R 713080000-PK STYLE C |
| PICK AND PLACE CAPS | NO | NO | NO | YES | YES | YES | NO | YES |
| CKTS: | MATERIAL NO | MATERIAL NO | MATERIAL NO | MATERIAL NO | MATERIAL NO | MATERIAL NO | MATERIAL NO | MATERIAL NO |
| 4 | 015-91-1041 | 015-91-1042 | 015-91-1043 | 015-91-6044 | 015-91-6045 | 015-91-6046 | 71308-6404 | 71308-6504 |
| 6 | 015-91-1061 | 015-91-1062 | 015-91-1063 | 015-91-6064 | 015-91-6065 | 015-91-6066 | 71308-6406 | 71308-6506 |
| 8 | 015-91-1081 | 015-91-1082 | 015-91-1083 | 015-91-6084 | 015-91-6085 | 015-91-6086 | 71308-6408 | 71308-6508 |
| 10 | 015-91-1101 | 015-91-1102 / 71308-1102 | 015-91-1103 | 015-91-6104 | 015-91-6105 | 015-91-6106 | 71308-6410 | 71308-6510 |
| 12 | 015-91-1121 | 015-91-1122 | 015-91-1123 | | | | 71308-6412 | |
| 14 | 015-91-1141 | 015-91-1142 | 015-91-1143 | 015-91-6144 | 015-91-6145 | 015-91-6146 | 71308-6414 | 71308-6514 |
| 16 | 015-91-1161 | 015-91-1162 | 015-91-1163 | 015-91-6164 | 015-91-6165 | 015-91-6166 | 71308-6416 | 71308-6516 |
| 18 | 015-91-1181 | 015-91-1182 | 015-91-1183 | | | | 71308-6418 | |
| 20 | 015-91-1201 | 015-91-1202 | 015-91-1203 | | | | 71308-6420 | |
| 22 | 015-91-1221 | 015-91-1222 | 015-91-1223 | | | | 71308-6422 | |
| 24 | 015-91-1241 | 015-91-1242 | 015-91-1243 | 71308-6901 | | | 71308-6424 | |
| 26 | 015-91-1261 | 015-91-1262 | 015-91-1263 | | | | 71308-6426 | |
| 28 | 015-91-1281 | 015-91-1282 | 015-91-1283 | | | | 71308-6428 | |
| 30 | 015-91-1301 | 015-91-1302 | 015-91-1303 | | | | 71308-6430 | |
| 32 | 015-91-1321 | 015-91-1322 | 015-91-1323 | | | | 71308-6432 | |
| 34 | 015-91-1341 | 015-91-1342 | 015-91-1343 | | | | 71308-6434 | |
| 36 | 015-91-1361 | 015-91-1362 | 015-91-1363 | | | | 71308-6436 | |
| 38 | 015-91-1381 | 015-91-1382 | 015-91-1383 | | | | 71308-6438 | |
| 40 | 015-91-1401 | 015-91-1402 | 015-91-1403 | | | | 71308-6440 | |
| 42 | 015-91-1421 | 015-91-1422 | 015-91-1423 | | | | 71308-6442 | |
| 44 | 015-91-1441 | 015-91-1442 | 015-91-1443 | | | | 71308-6444 | |
| 46 | 015-91-1461 | 015-91-1462 | 015-91-1463 | | | | 71308-6446 | |
| 48 | 015-91-1481 | 015-91-1482 | 015-91-1483 | | | | 71308-6448 | |
| 50 | 015-91-1501 | 015-91-1502 | 015-91-1503 | | | 015-91-6506 | 71308-6450 | |
| 52 | 015-91-1521 | 015-91-1522 | 015-91-1523 | | | 71308-5203 | 71308-6452 | |
| 54 | 015-91-1541 | 015-91-1542 | 015-91-1543 | | | | 71308-6454 | |
| 56 | 015-91-1561 | 015-91-1562 | 015-91-1563 | | | | 71308-6456 | |
| 58 | 015-91-1581 | 015-91-1582 | 015-91-1583 | | | | 71308-6458 | |
| 60 | 015-91-1601 | 015-91-1602 | 015-91-1603 | | | | 71308-6460 | |
| 62 | 015-91-1621 | 015-91-1622 | 015-91-1623 | | | | 71308-6462 | |
| 64 | 015-91-1641 | 015-91-1642 | 015-91-1643 | | | | 71308-6464 | |
| 66 | 015-91-1661 | 015-91-1662 | 015-91-1663 | | | | 71308-6466 | |
| 68 | 015-91-1681 | 015-91-1682 | 015-91-1683 | | | | 71308-6468 | |
| 70 | 015-91-1701 | 015-91-1702 | 015-91-1703 | | | | 71308-6470 | |
| 72 | 015-91-1721 | 015-91-1722 | 015-91-1723 | | | | 71308-6472 | |
| 74 | 015-91-1741 | 015-91-1742 | 015-91-1743 | | | | 71308-6474 | |
| 76 | 015-91-1761 | 015-91-1762 | 015-91-1763 | | | | 71308-6476 | |
| 78 | 015-91-1781 | 015-91-1782 | 015-91-1783 | | | | 71308-6478 | |
| 80 | 015-91-1801 | 015-91-1802 | 015-91-1803 | | | | 71308-6480 | |
| 100 | 71308-4100 | 71308-4200 | 71308-4300 | | | | | |

PARTS ON THIS SHEET
HAVE LONG PEGS
WITH A MATING HEIGHT OF 6.10



| | | | | | | | | | |
|---|--------|-------------------------------|---------|--------|---|--|--|--|--|
| THIS DRAWING CONTAINS INFORMATION THAT IS PROPRIETARY TO MOLEX ELECTRONIC TECHNOLOGIES, LLC AND SHOULD NOT BE USED WITHOUT WRITTEN PERMISSION | | | | | | | | | |
| DIMENSION UNITS | SCALE | CURRENT REV DESC: | | | molex CGRID HEADER ASSY VERTICAL DUAL ROW SMT | | | | |
| mm | 1:1 | | | | | | | | |
| GENERAL TOLERANCES (UNLESS SPECIFIED) | | EC NO: 743966 | | | DOCUMENT NUMBER | | | | |
| ANGULAR TOL | ± ° | DRWN: DANUSA 2022/10/27 | | | 713080000-SD | | | | |
| 4 PLACES | ± | CHK'D: SUAIFR 2023/03/31 | | | DOC TYPE DOC PART REVISION | | | | |
| 3 PLACES | ± | APPR: MRAMAKRISHNA 2023/03/31 | | | PSD 000 A9 | | | | |
| 2 PLACES | ± 0.13 | INITIAL REVISION: | | | MATERIAL NUMBER CUSTOMER SHEET NUMBER | | | | |
| 1 PLACE | ± 0.25 | DRWN: KSAMIEC 2017/09/07 | | | 71308 | | | | |
| 0 PLACES | ± 0.0 | APPR: FSMITH 2018/07/03 | | | 6 OF 10 | | | | |
| DRAFT WHERE APPLICABLE MUST REMAIN WITHIN DIMENSIONS | | THIRD ANGLE PROJECTION | DRAWING | SERIES | | | | | |
| | | | B-SIZE | 71308 | | | | | |

9 8 7 6 5 4 3 2 1

| PLATING: | 124 - BRIGHT TIN | 207- 0.38 SGOLD | 206- 0.76 SGOLD | 118 - BRIGHT TIN | | | | |
|---------------------|-------------------|-------------------|-------------------|-------------------|-------------|-------------|-------------|-------------|
| PACKAGING: | TUBE 713080003-PK | TUBE 713080003-PK | TUBE 713080003-PK | TUBE 713080003-PK | | | | |
| PICK AND PLACE CAPS | NO | NO | NO | NO | | | | |
| CKTS: | MATERIAL NO | MATERIAL NO | MATERIAL NO | MATERIAL NO | MATERIAL NO | MATERIAL NO | MATERIAL NO | MATERIAL NO |
| 4 | 015-91-1044 | 015-91-0047 | 015-91-1040 | 71308-6604 | | | | |
| 6 | 015-91-1064 | 015-91-0067 | 015-91-1060 | 71308-6606 | | | | |
| 8 | 015-91-1084 | 015-91-0087 | 015-91-1080 | 71308-6608 | | | | |
| 10 | 015-91-1104 | 015-91-0107 | 015-91-1100 | 71308-6610 | | | | |
| 12 | 015-91-1124 | 015-91-0127 | 015-91-1120 | 71308-6612 | | | | |
| 14 | 015-91-1144 | 015-91-0147 | 015-91-1140 | 71308-6614 | | | | |
| 16 | 015-91-1164 | 015-91-0167 | 015-91-1160 | 71308-6616 | | | | |
| 18 | 015-91-1184 | 015-91-0187 | 015-91-1180 | 71308-6618 | | | | |
| 20 | 015-91-1204 | 015-91-0207 | 015-91-1200 | 71308-6620 | | | | |
| 22 | 015-91-1224 | 015-91-0227 | 015-91-1220 | 71308-6622 | | | | |
| 24 | 015-91-1244 | 015-91-0247 | 015-91-1240 | 71308-6624 | | | | |
| 26 | 015-91-1264 | 015-91-0267 | 015-91-1260 | 71308-6626 | | | | |
| 28 | 015-91-1284 | 015-91-0287 | 015-91-1280 | 71308-6628 | | | | |
| 30 | 015-91-1304 | 015-91-0307 | 015-91-1300 | 71308-6630 | | | | |
| 32 | 015-91-1324 | 015-91-0327 | 015-91-1320 | 71308-6632 | | | | |
| 34 | 015-91-1344 | 015-91-0347 | 015-91-1340 | 71308-6634 | | | | |
| 36 | 015-91-1364 | 015-91-0367 | 015-91-1360 | 71308-6636 | | | | |
| 38 | 015-91-1384 | 015-91-0387 | 015-91-1380 | 71308-6638 | | | | |
| 40 | 015-91-1404 | 015-91-0407 | 015-91-1400 | 71308-6640 | | | | |
| 42 | 015-91-1424 | 015-91-0427 | 015-91-1420 | 71308-6642 | | | | |
| 44 | 015-91-1444 | 015-91-0447 | 015-91-1440 | 71308-6644 | | | | |
| 46 | 015-91-1464 | 015-91-0467 | 015-91-1460 | 71308-6646 | | | | |
| 48 | 015-91-1484 | 015-91-0487 | 015-91-1480 | 71308-6648 | | | | |
| 50 | 015-91-1504 | 015-91-0507 | 015-91-1500 | 71308-6650 | | | | |
| 52 | 015-91-1524 | 015-91-0527 | 015-91-1520 | 71308-6652 | | | | |
| 54 | 015-91-1544 | 015-91-0547 | 015-91-1540 | 71308-6654 | | | | |
| 56 | 015-91-1564 | 015-91-0567 | 015-91-1560 | 71308-6656 | | | | |
| 58 | 015-91-1584 | 015-91-0587 | 015-91-1580 | 71308-6658 | | | | |
| 60 | 015-91-1604 | 015-91-0607 | 015-91-1600 | 71308-6660 | | | | |
| 62 | 015-91-1624 | 015-91-0627 | 015-91-1620 | 71308-6662 | | | | |
| 64 | 015-91-1644 | 015-91-0647 | 015-91-1640 | 71308-6664 | | | | |
| 66 | 015-91-1664 | 015-91-0667 | 015-91-1660 | 71308-6666 | | | | |
| 68 | 015-91-1684 | 015-91-0687 | 015-91-1680 | 71308-6668 | | | | |
| 70 | 015-91-1704 | 015-91-0707 | 015-91-1700 | 71308-6670 | | | | |
| 72 | 015-91-1724 | 015-91-0727 | 015-91-1720 | 71308-6672 | | | | |
| 74 | 015-91-1744 | 015-91-0747 | 015-91-1740 | 71308-6674 | | | | |
| 76 | 015-91-1764 | 015-91-0767 | 015-91-1760 | 71308-6676 | | | | |
| 78 | 015-91-1784 | 015-91-0787 | 015-91-1780 | 71308-6678 | | | | |
| 80 | 015-91-1804 | 015-91-0807 | 015-91-1800 | 71308-6680 | | | | |
| 100 | 71308-5100 | 71308-5200 | 71308-5300 | | | | | |

PARTS ON THIS SHEET HAVE LONG PEGS WITH A MATING HEIGHT OF 8.13



| | | | | | | | | | |
|---|--------|-------------------------------|---------|--------|---|--|----------|-----|--------------|
| THIS DRAWING CONTAINS INFORMATION THAT IS PROPRIETARY TO MOLEX ELECTRONIC TECHNOLOGIES, LLC AND SHOULD NOT BE USED WITHOUT WRITTEN PERMISSION | | | | | | | | | |
| DIMENSION UNITS | SCALE | CURRENT REV DESC: | | | molex | | | | |
| mm | 1:1 | | | | | | | | |
| GENERAL TOLERANCES (UNLESS SPECIFIED) | | EC NO: 743966 | | | CGRID HEADER ASSY VERTICAL DUAL ROW SMT | | | | |
| ANGULAR TOL | ± ° | DRWN: DANUSA 2022/10/27 | | | | | | | |
| 4 PLACES | ± | CHK'D: SUAIFR 2023/03/31 | | | | | | | |
| 3 PLACES | ± | APPR: MRAMAKRISHNA 2023/03/31 | | | PRODUCT CUSTOMER DRAWING | | | | |
| 2 PLACES | ± 0.13 | INITIAL REVISION: | | | DOCUMENT NUMBER | | | | |
| 1 PLACE | ± 0.25 | DRWN: KSAMIEC 2017/09/07 | | | 713080000-SD | | PSD | 000 | A9 |
| 0 PLACES | ± 0.0 | APPR: FSMITH 2018/07/03 | | | MATERIAL NUMBER | | CUSTOMER | | SHEET NUMBER |
| DRAFT WHERE APPLICABLE MUST REMAIN WITHIN DIMENSIONS | | THIRD ANGLE PROJECTION | DRAWING | SERIES | 71308 | | | | 7 OF 10 |

| | 10 | 9 | 8 | 7 | 6 | 5 | 4 | 3 | 2 | 1 |
|--|---------------------|-------------------|--------------------------|-------------------|--------------------------|-------------------|--------------------------|-------------|-------------|---|
| | PLATING: | 124 - BRIGHT TIN | 124 - BRIGHT TIN | 206 - 0.76 SGOLD | 206 - 0.76 SGOLD | 118 - BRIGHT TIN | 118 - BRIGHT TIN | | | |
| | PACKAGING: | TUBE 713080001-PK | T&R 713080000-PK STYLE C | TUBE 713080001-PK | T&R 713080000-PK STYLE C | TUBE 713080001-PK | T&R 713080000-PK STYLE C | | | |
| | PICK AND PLACE CAPS | NO | YES | NO | YES | NO | YES | | | |
| | CKTS: | MATERIAL NO | MATERIAL NO | MATERIAL NO | MATERIAL NO | MATERIAL NO | MATERIAL NO | MATERIAL NO | MATERIAL NO | |
| | 4 | | | 015-91-1048 | 015-91-6047 | | | | | |
| | 6 | 71308-6106 | 71308-6206 | 015-91-1068 | 015-91-6067 | 71308-6706 | 71308-6806 | | | |
| | 8 | 71308-6108 | 71308-6208 | 015-91-1088 | 015-91-6087 | 71308-6708 | 71308-6808 | | | |
| | 10 | 71308-6110 | 71308-6210 | 015-91-1108 | 015-91-6107 | 71308-6710 | 71308-6810 | | | |
| | 12 | | | 015-91-1128 | | | | | | |
| | 14 | | | 015-91-1148 | 015-91-6147 | | | | | |
| | 16 | | | 015-91-1168 | 015-91-6167 | | | | | |
| | 18 | | | 015-91-1188 | | | | | | |
| | 20 | | | 015-91-1208 | 015-91-6207 | | | | | |
| | 22 | | | 015-91-1228 | | | | | | |
| | 24 | | | 015-91-1248 | | | | | | |
| | 26 | 71308-6126 | | 015-91-1268 | | 71308-6726 | | | | |
| | 28 | | | 015-91-1288 | | | | | | |
| | 30 | | | 015-91-1308 | | | | | | |
| | 32 | | | 015-91-1328 | | | | | | |
| | 34 | | | 015-91-1348 | | | | | | |
| | 36 | | | 015-91-1368 | | | | | | |
| | 38 | | | 015-91-1388 | | | | | | |
| | 40 | | | 015-91-1408 | | | | | | |
| | 42 | | | 015-91-1428 | | | | | | |
| | 44 | | | 015-91-1448 | | | | | | |
| | 46 | | | 015-91-1468 | | | | | | |
| | 48 | | | 015-91-1488 | | | | | | |
| | 50 | | | 015-91-1508 | 015-91-6507 | | | | | |
| | 52 | | | 015-91-1528 | | | | | | |
| | 54 | | | 015-91-1548 | | | | | | |
| | 56 | | | 015-91-1568 | | | | | | |
| | 58 | | | 015-91-1588 | | | | | | |
| | 60 | | | 015-91-1608 | | | | | | |
| | 62 | | | 015-91-1628 | | | | | | |
| | 64 | | | 015-91-1648 | | | | | | |
| | 66 | | | 015-91-1668 | | | | | | |
| | 68 | | | 015-91-1688 | | | | | | |
| | 70 | | | 015-91-1708 | | | | | | |
| | 72 | | | 015-91-1728 | | | | | | |
| | 74 | | | 015-91-1748 | | | | | | |
| | 76 | | | 015-91-1768 | | | | | | |
| | 78 | | | 015-91-1788 | | | | | | |
| | 80 | | | 015-91-1808 | | | | | | |
| | 100 | | | 71308-6100 | | | | | | |

PARTS ON THIS SHEET HAVE SHORT PEGS WITH A MATING HEIGHT OF 6.10



| | | | | | | | | | |
|---|------------------------|-------------------------------|--------|-----------------|---|--------------|----------|----------|----------|
| THIS DRAWING CONTAINS INFORMATION THAT IS PROPRIETARY TO MOLEX ELECTRONIC TECHNOLOGIES, LLC AND SHOULD NOT BE USED WITHOUT WRITTEN PERMISSION | | | | | | | | | |
| DIMENSION UNITS | SCALE | CURRENT REV DESC: | | | | | | | |
| mm | 1:1 | | | | | | | | |
| GENERAL TOLERANCES (UNLESS SPECIFIED) | | EC NO: 743966 | | | CGRID HEADER ASSY VERTICAL DUAL ROW SMT | | | | |
| ANGULAR TOL | ± ° | DRWN: DANUSA 2022/10/27 | | | | | | | |
| 4 PLACES | ± | CHK'D: SUAIFR 2023/03/31 | | | | | | | |
| 3 PLACES | ± | APPR: MRAMAKRISHNA 2023/03/31 | | | PRODUCT CUSTOMER DRAWING | | | | |
| 2 PLACES | ± 0.13 | INITIAL REVISION: | | | DOCUMENT NUMBER | | | | |
| 1 PLACE | ± 0.25 | DRWN: KSAMIEC 2017/09/07 | | | 713080000-SD | | DOC TYPE | DOC PART | REVISION |
| 0 PLACES | ± 0.0 | APPR: FSMITH 2018/07/03 | | | | | PSD | 000 | A9 |
| DRAFT WHERE APPLICABLE MUST REMAIN WITHIN DIMENSIONS | THIRD ANGLE PROJECTION | DRAWING | SERIES | MATERIAL NUMBER | CUSTOMER | SHEET NUMBER | | | |
| | | B-SIZE | 71308 | | | 8 OF 10 | | | |

| | 10 | 9 | 8 | 7 | 6 | 5 | 4 | 3 | 2 | 1 |
|---------------------|----|--------------------------|-------------------|-------------------|-------------|-------------|-------------|-------------|-------------|---|
| PLATING: | | 197 - REFLOW TIN | 197 - REFLOW TIN | 197 - REFLOW TIN | | | | | | |
| PACKAGING: | | T&R 713080000-PK STYLE D | TUBE 713080004-PK | TUBE 713080003-PK | | | | | | |
| PICK AND PLACE CAPS | | YES | YES | NO | | | | | | |
| CKTS: | | MATERIAL NO | MATERIAL NO | MATERIAL NO | MATERIAL NO | MATERIAL NO | MATERIAL NO | MATERIAL NO | MATERIAL NO | |
| 4 | | | | | | | | | | |
| 6 | | | | | | | | | | |
| 8 | | 71308-8409 | 71308-8408 | 71308-8508 | | | | | | |
| 10 | | | | | | | | | | |
| 12 | | | | | | | | | | |
| 14 | | | | | | | | | | |
| 16 | | | | | | | | | | |
| 18 | | | | | | | | | | |
| 20 | | 71308-8421 | 71308-8420 | 71308-8520 | | | | | | |
| 22 | | | | | | | | | | |
| 24 | | | | | | | | | | |
| 26 | | 71308-8426 | | | | | | | | |
| 28 | | | | | | | | | | |
| 30 | | | | | | | | | | |
| 32 | | | | | | | | | | |
| 34 | | | | | | | | | | |
| 36 | | | | | | | | | | |
| 38 | | | | | | | | | | |
| 40 | | | | | | | | | | |
| 42 | | | | | | | | | | |
| 44 | | | | | | | | | | |
| 46 | | | | | | | | | | |
| 48 | | | | | | | | | | |
| 50 | | | | | | | | | | |
| 52 | | | | | | | | | | |
| 54 | | | | | | | | | | |
| 56 | | | | | | | | | | |
| 58 | | | | | | | | | | |
| 60 | | | | | | | | | | |
| 62 | | | | | | | | | | |
| 64 | | | | | | | | | | |
| 66 | | | | | | | | | | |
| 68 | | | | | | | | | | |
| 70 | | | | | | | | | | |
| 72 | | | | | | | | | | |
| 74 | | | | | | | | | | |
| 76 | | | | | | | | | | |
| 78 | | | | | | | | | | |
| 80 | | | | | | | | | | |

PARTS ON THIS SHEET HAVE SHORT PEGS WITH A MATING HEIGHT OF 8.13



| | | | | | | | | | |
|---|-------|-------------------------------|--|--|---|--|--|--|--|
| THIS DRAWING CONTAINS INFORMATION THAT IS PROPRIETARY TO MOLEX ELECTRONIC TECHNOLOGIES, LLC AND SHOULD NOT BE USED WITHOUT WRITTEN PERMISSION | | | | | | | | | |
| DIMENSION UNITS | SCALE | CURRENT REV DESC: | | |  | | | | |
| mm | 1:1 | | | | | | | | |
| GENERAL TOLERANCES (UNLESS SPECIFIED) | | EC NO: 743966 | | | CGRID HEADER ASSY VERTICAL DUAL ROW SMT | | | | |
| ANGULAR TOL ± ° | | DRWN: DANUSA 2022/10/27 | | | | | | | |
| 4 PLACES ± | | CHK'D: SUAIFR 2023/03/31 | | | PRODUCT CUSTOMER DRAWING | | | | |
| 3 PLACES ± | | APPR: MRAMAKRISHNA 2023/03/31 | | | | | | | |
| 2 PLACES ± 0.13 | | INITIAL REVISION: | | | DOCUMENT NUMBER | | | | |
| 1 PLACE ± 0.25 | | DRWN: KSAMIEC 2017/09/07 | | | | | | | |
| 0 PLACES ± 0.0 | | APPR: FSMITH 2018/07/03 | | | 713080000-SD | | | | |
| DRAFT WHERE APPLICABLE MUST REMAIN WITHIN DIMENSIONS | | THIRD ANGLE PROJECTION | | | | | | | |
| | | DRAWING | | | MATERIAL NUMBER | | | | |
| | | SERIES | | | | | | | |
| | | B-SIZE 71308 | | | SHEET NUMBER | | | | |
| | | | | | | | | | |

| MATERIAL NO | MADE FROM | NO OF CKTS | VOID LOCATION | PICK AND PLACE CAP | PACKAGING |
|-------------|------------|------------|---------------|--------------------|----------------------|
| 71308-9210 | 71308-0010 | 10 | A5 | 711331000 | 713080002-PK |
| 71308-9010 | 71308-0110 | 10 | A2 | 711331000 | 713080002-PK |
| 71308-9032 | 71308-0132 | 32 | A9 | 711331000 | 713080002-PK |
| 71308-9110 | 71308-0110 | 10 | A5 | 711331000 | 713080002-PK |
| 71308-9014 | 71308-0140 | 14 | B5 | 711331000 | 713080002-PK |
| 71308-9310 | 71308-0110 | 10 | B5 | 711331000 | 713080002-PK |
| 71308-9311 | 71308-0110 | 10 | B5 | 711331000 | 713080000-PK STYLE A |
| 71308-9312 | 71308-1504 | 04 | A1 | 711331000 | 713080000-PK STYLE A |



CIRCUIT IDENTIFICATION FOR VOIDED CKT ONLY

| | | | | | | | | | |
|---|--|-------|--|-------------------------------|--|----------|--|---|--|
| THIS DRAWING CONTAINS INFORMATION THAT IS PROPRIETARY TO MOLEX ELECTRONIC TECHNOLOGIES, LLC AND SHOULD NOT BE USED WITHOUT WRITTEN PERMISSION | | | | | | | | | |
| DIMENSION UNITS | | SCALE | | CURRENT REV DESC: | | | | molex | |
| mm | | 5:1 | | EC NO: 743966 | | | | | |
| GENERAL TOLERANCES (UNLESS SPECIFIED) | | | | DRWN: DANUSA 2022/10/27 | | | | CGRID HEADER ASSY VERTICAL DUAL ROW SMT | |
| ANGULAR TOL ± ° | | | | CHK'D: SUAIFR 2023/03/31 | | | | PRODUCT CUSTOMER DRAWING | |
| 4 PLACES ± | | | | APPR: MRAMAKRISHNA 2023/03/31 | | | | DOCUMENT NUMBER | |
| 3 PLACES ± | | | | INITIAL REVISION: | | | | 713080000-SD | |
| 2 PLACES ± 0.13 | | | | DRWN: KSAMIEC 2017/09/07 | | | | DOC TYPE | |
| 1 PLACE ± 0.25 | | | | APPR: FSMITH 2018/07/03 | | | | PSD | |
| 0 PLACES ± 0.0 | | | | THIRD ANGLE PROJECTION | | | | DOC PART | |
| DRAFT WHERE APPLICABLE MUST REMAIN WITHIN DIMENSIONS | | | | DRAWING | | SERIES | | REVISION | |
| | | | | B-SIZE | | 71308 | | A9 | |
| | | | | MATERIAL NUMBER | | CUSTOMER | | SHEET NUMBER | |
| | | | | | | | | 10 OF 10 | |

| | | | | |
|-----------------|----|--------------|------------|----------|
| DOCUMENT STATUS | P1 | RELEASE DATE | 2023/03/31 | 07:34:54 |
|-----------------|----|--------------|------------|----------|