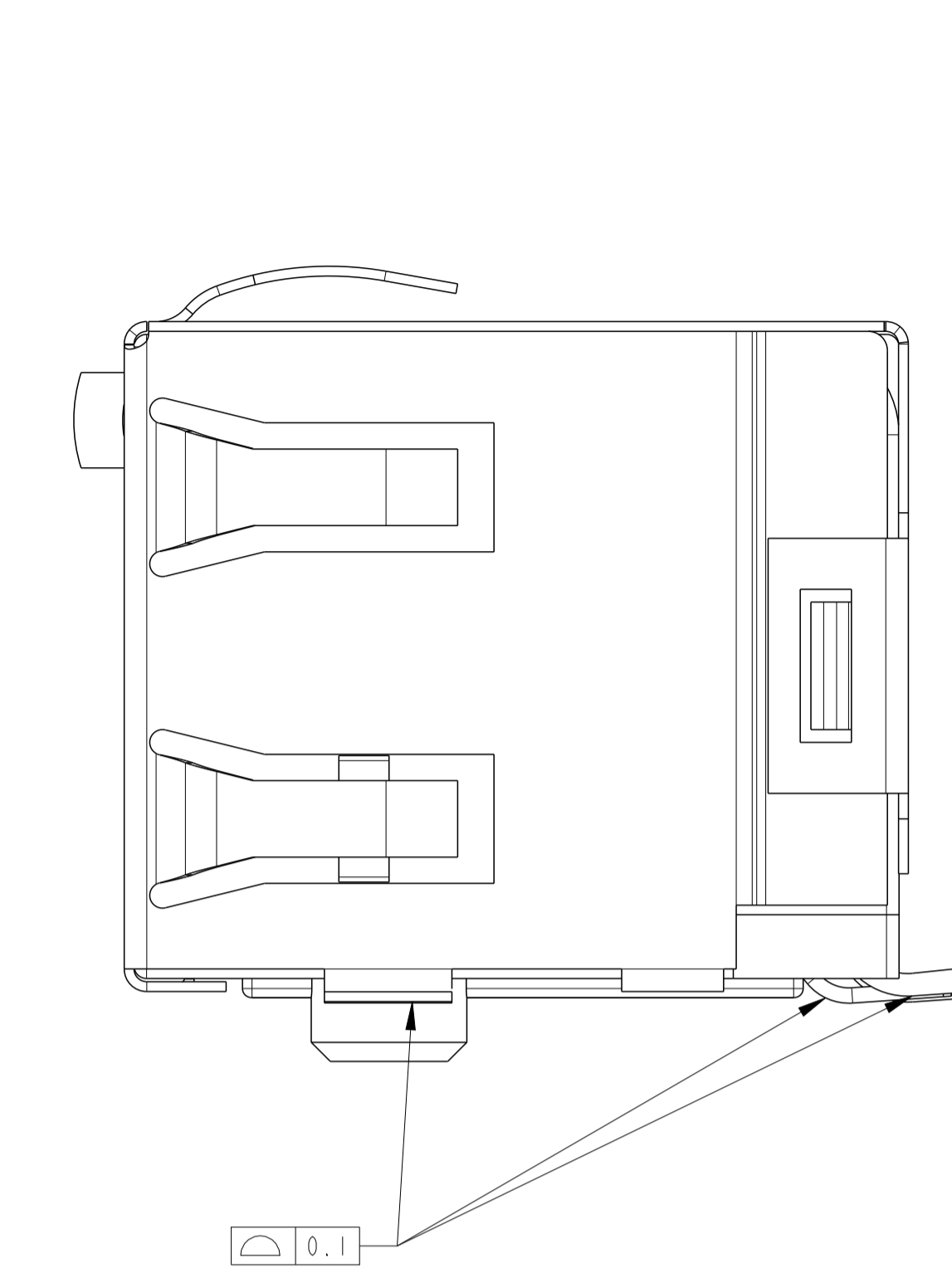
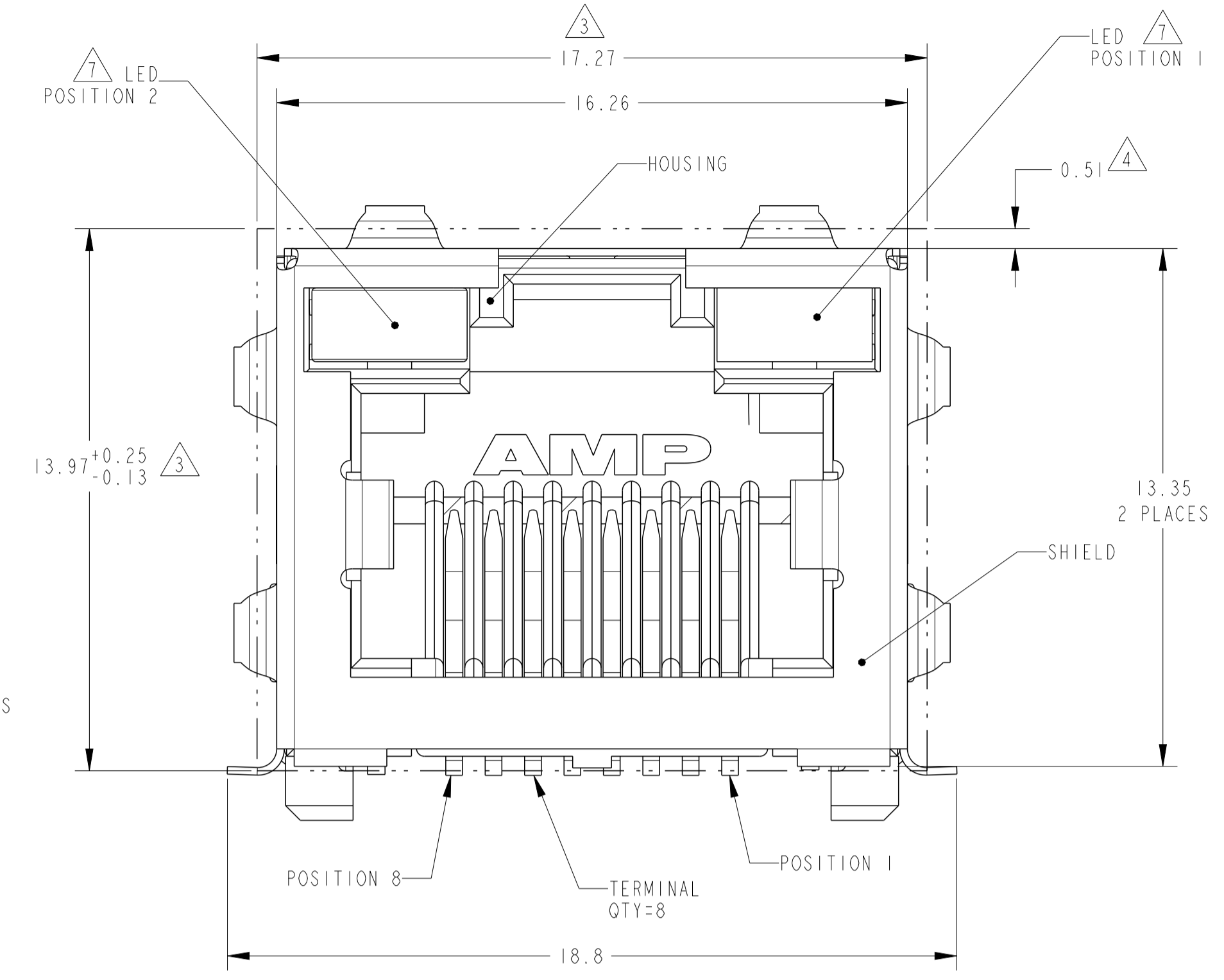
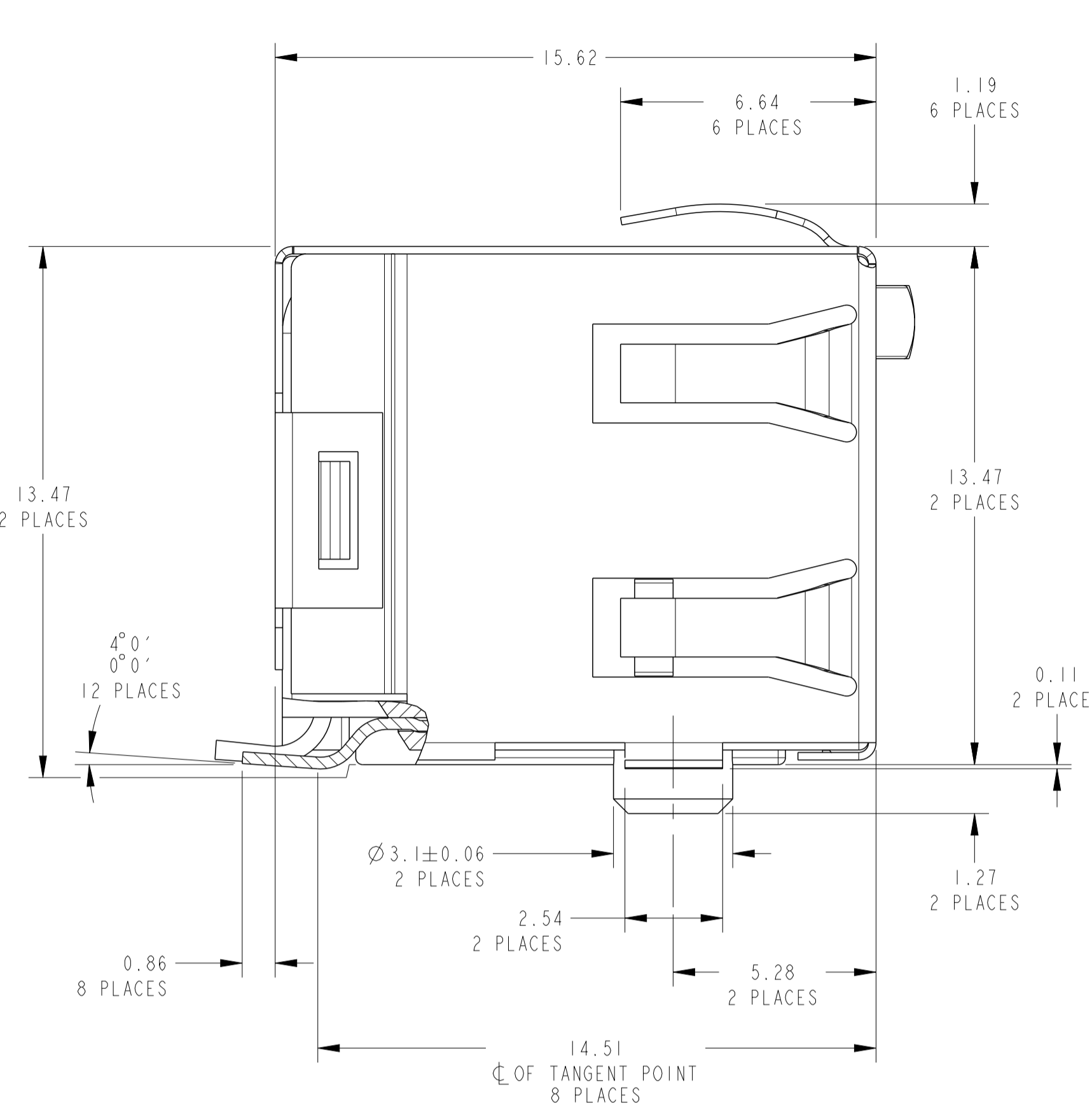
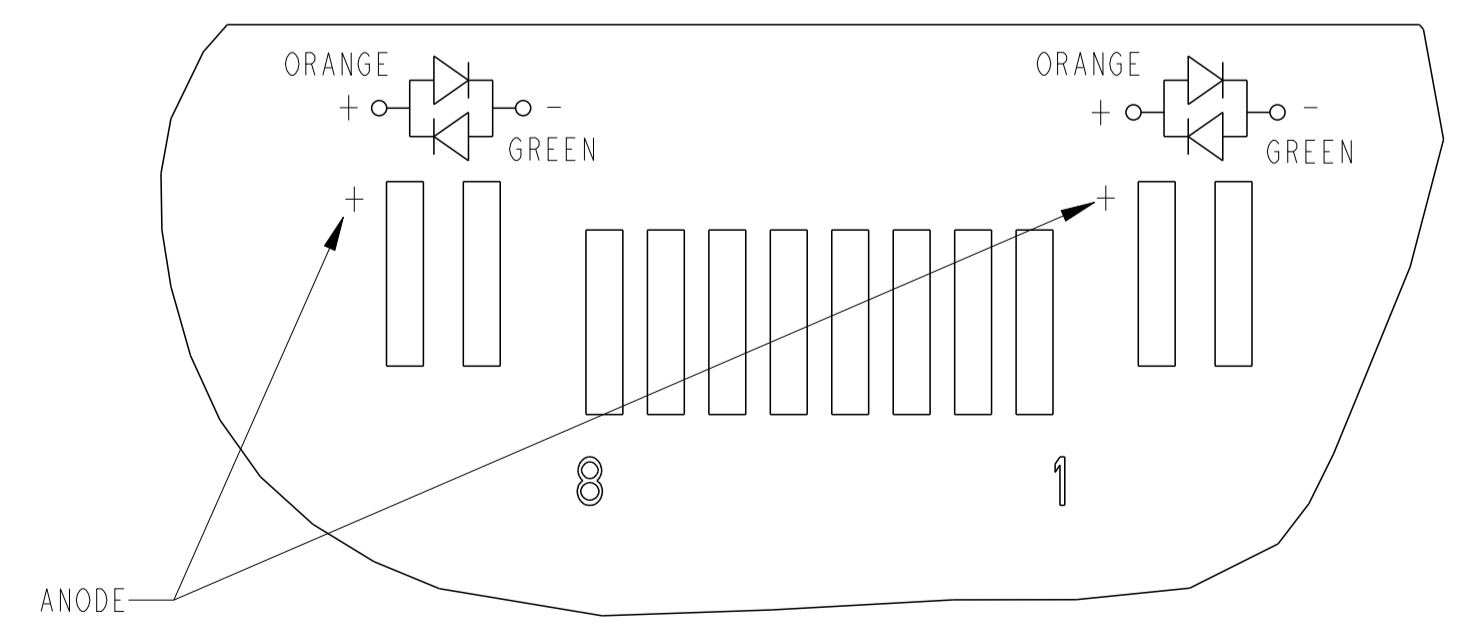
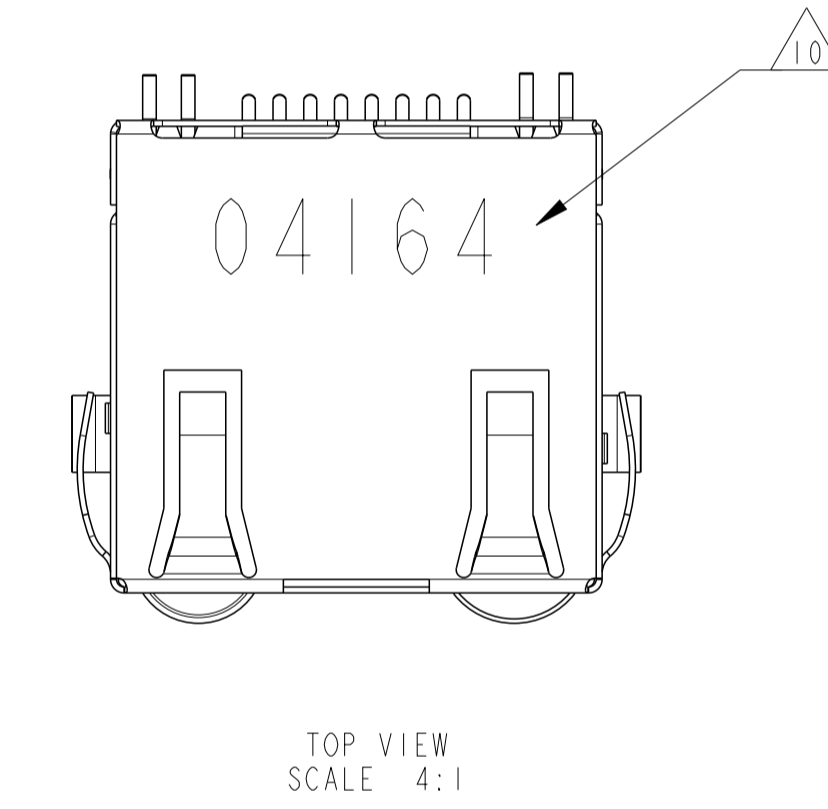
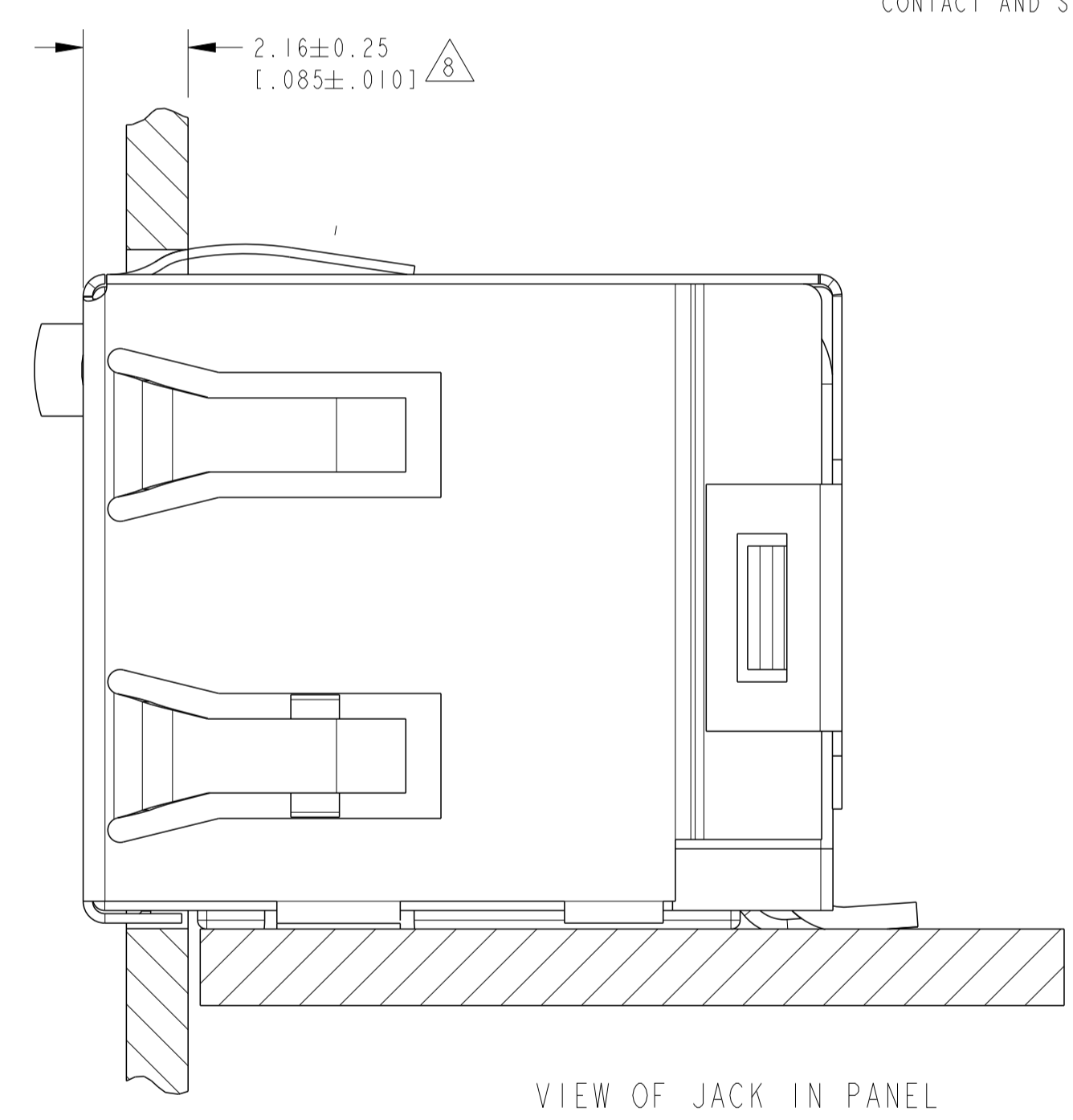
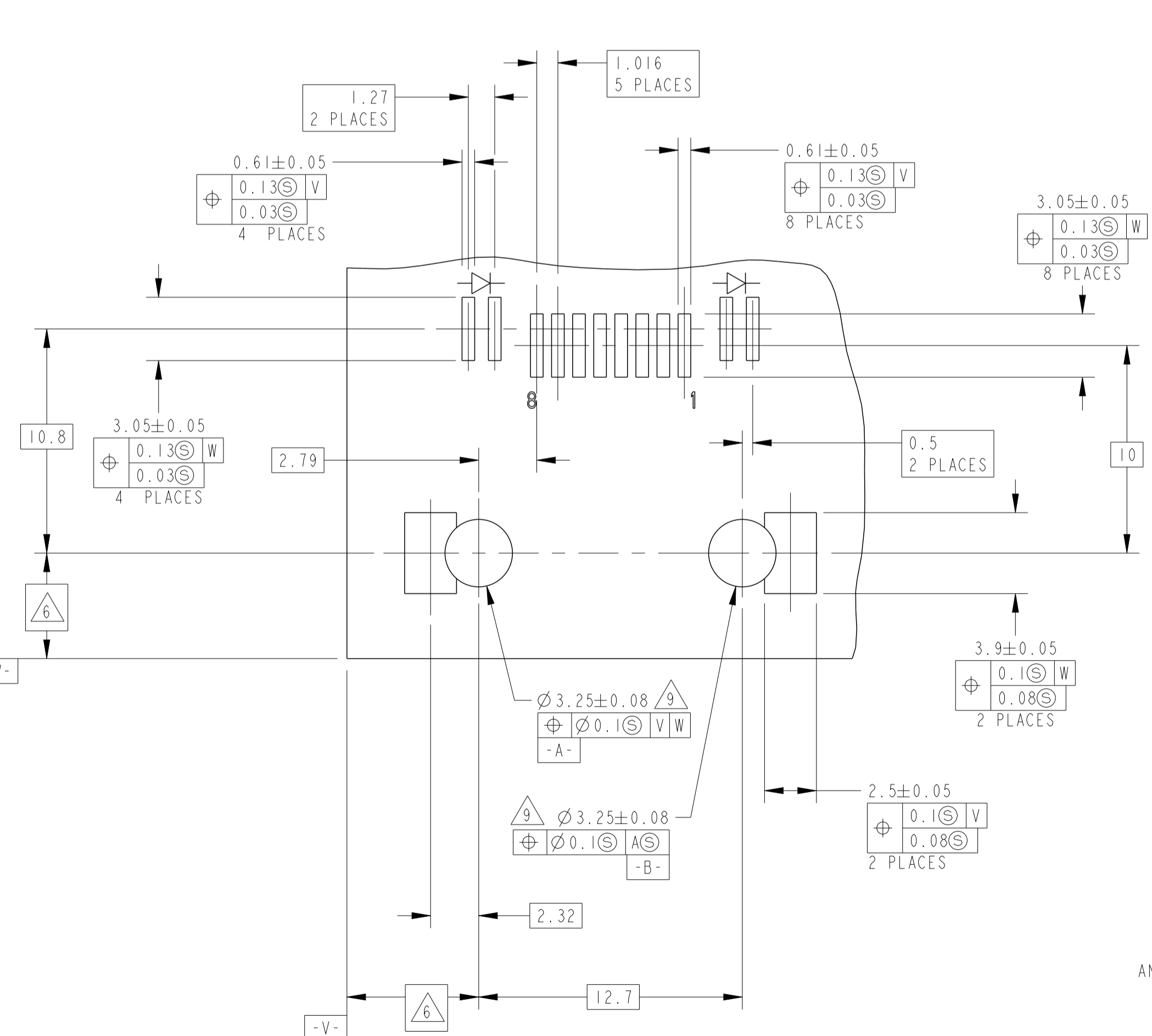


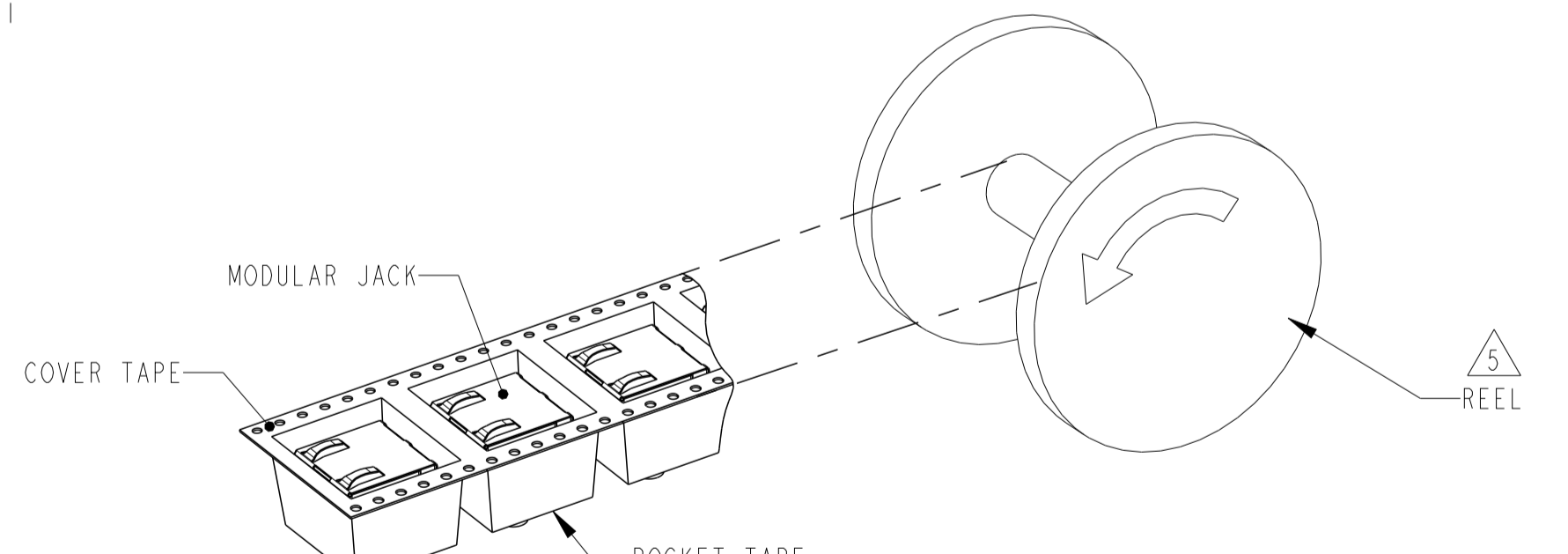
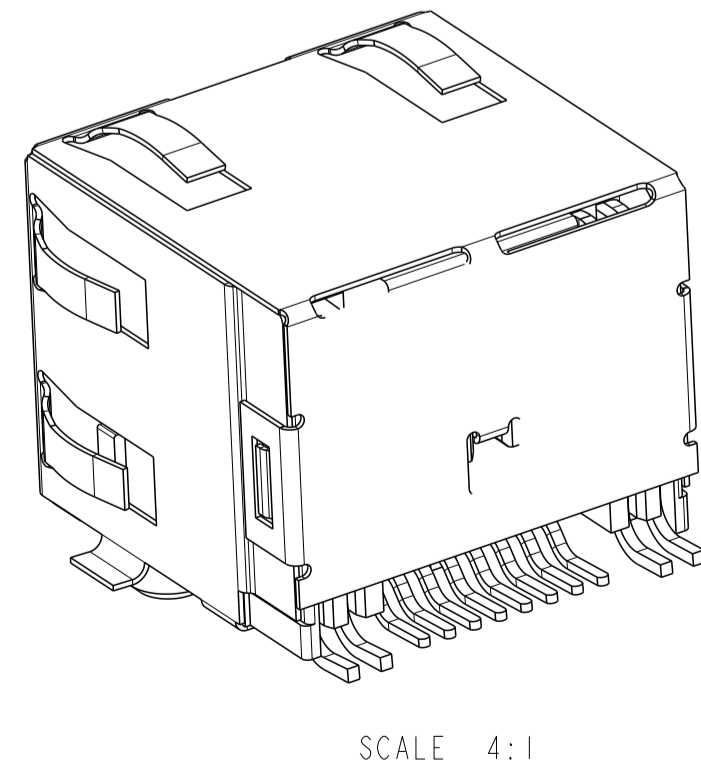
LOC	DIST	REVISIONS					
		P	LTN	DESCRIPTION	DATE	OWN	APVD
		E2		ECO-16-008897	14JUN2016	AD	SH
		E3		ECO-16-013653	09SEP2016	AD	SH
		F		ECO-18-006356	24APR2018	AD	SH
		F1		REVISED AS PER ECN-22-180673	25OCT2022	KH	SZ



- MATERIAL:
 - HOUSING - HIGH TEMP THERMOPLASTIC - LCP, BLACK, UL94V-0
 - TERMINALS - 0.30 THICK PHOS BRONZE PLATED WITH 3.81µm MINIMUM THICK MATTE TIN IN SOLDER AREA. 1.27µm MINIMUM GOLD IN LOCALIZED PLATE AREA. ENTIRE TERMINAL PLATED WITH 1.27µm MINIMUM THICK NICKEL.
 - SHIELD - 0.196 THICK COPPER ZINC ALLOY PREPLATED WITH 2.03µm-3.81µm THICK MATTE TIN OVER 1.27µm THICK NICKEL.
 - LIGHT EMITTING DIODE (LED) -- DIFFUSED EPOXY LENS, 0.51 X 0.51 (.020 X .020) CARBON STEEL WIREFRAME LEADS PREPLATED WITH 8.89 µm (.00080) THICK Ag OVER 1.02 µm (.00040) THICK Cu OVER 3.56 µm (.00140) THICK Ni OVER 1.02 µm (.00040) Cu UNDERPLATE.
- JACK CAVITY CONFORMS TO FCC RULES AND REGULATIONS PART 68, SUBPART F
- SUGGESTED PANEL OPENING DIMENSIONS. SEE APPLICATION SPEC 114-2154 FOR PANEL THICKNESS AND POSITION RECOMMENDATIONS
- SUGGESTED CLEARANCE BETWEEN TOP OF CONNECTOR AND TOP PANEL OPENING
- PACKAGED: POCKET TAPE & REEL (PER EAI 481 SPECIFICATIONS)
 - POCKET TAPE WIDTH - 44mm
 - POCKET PITCH - 24mm
 - POCKET DEPTH - 16.7mm
 - CLEAR COVER TAPE, PSA
 - CLEAR COVER TAPE TRAILER - 610mm, WRAPPED ON REEL HUB
 - PLASTIC REEL - 381mm DIAMETER
 - PRODUCT QUANTITY - 200 PIECES PER REEL



BI-COLOR LED SCHEMATIC FOR 2-6339191-2 ONLY SCALE 8:1



POSITION 2	POSITION 1	PART NUMBER
ORANGE/GREEN	ORANGE/GREEN	3-6339191-2
GREEN	GREEN	1-6339191-5
OBsolete	GREEN	4-6339191-4
OBsolete	GREEN	4-6339191-1
OBsolete	YELLOW	3-6339191-1
OBsolete	RED	2-6339191-3
ORANGE/GREEN	ORANGE/GREEN	2-6339191-2
GREEN	ORANGE	2-6339191-1
GREEN	GREEN	6339191-5
GREEN	YELLOW	6339191-4
YELLOW	GREEN	6339191-1

SUGGESTED PCB LAYOUT (COMPONENT SIDE)

THIS DRAWING IS A CONTROLLED DOCUMENT.

OWN: B. HOLTZCLAW & MAYER
 CH: J. WESTMAN
 APVD: S. FLICKINGER
 PRODUCT SPEC: 108-1163-7
 APPLICATION SPEC: 114-6040/114-2154
 MATERIAL: SEE NOTE 1
 FINISH: SEE NOTE 1

DATE: 27 JULY 2005
 DATE: 27 JULY 2005
 DATE: 27 JULY 2005

NAME: INVERTED MODULAR JACK ASSEMBLY, 1x1, SHIELDED, SURFACE MOUNT, 8 POSITION, RJ45, WITH TWO LED'S

SIZE: A1
 CAGE CODE: 00779
 DRAWING NO: 6339191

TE Connectivity

CUSTOMER DRAWING SCALE 5:1 SHEET 1 OF 1 REV F