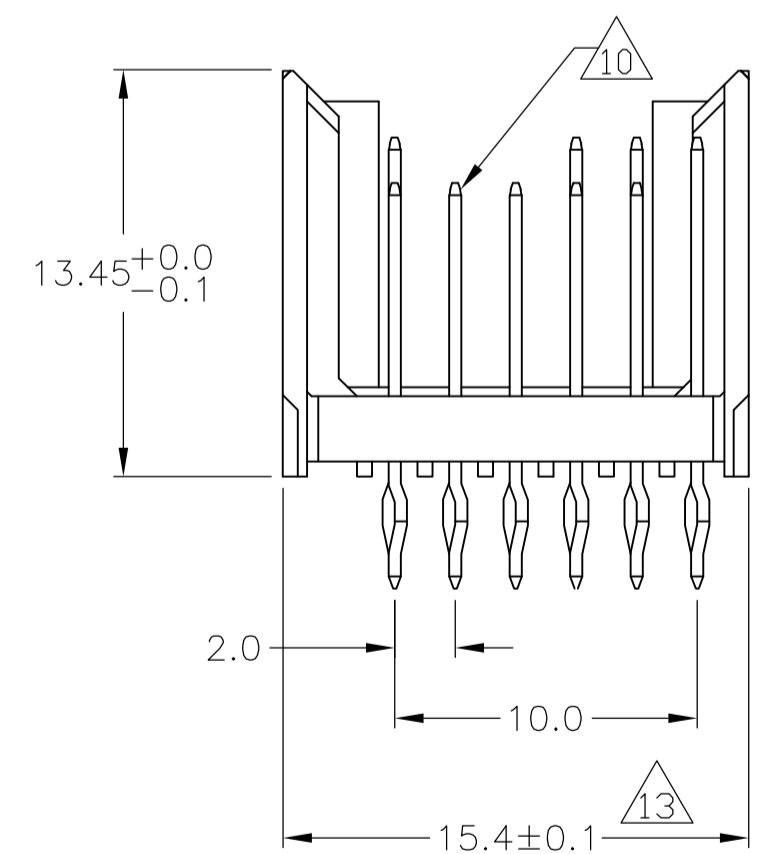
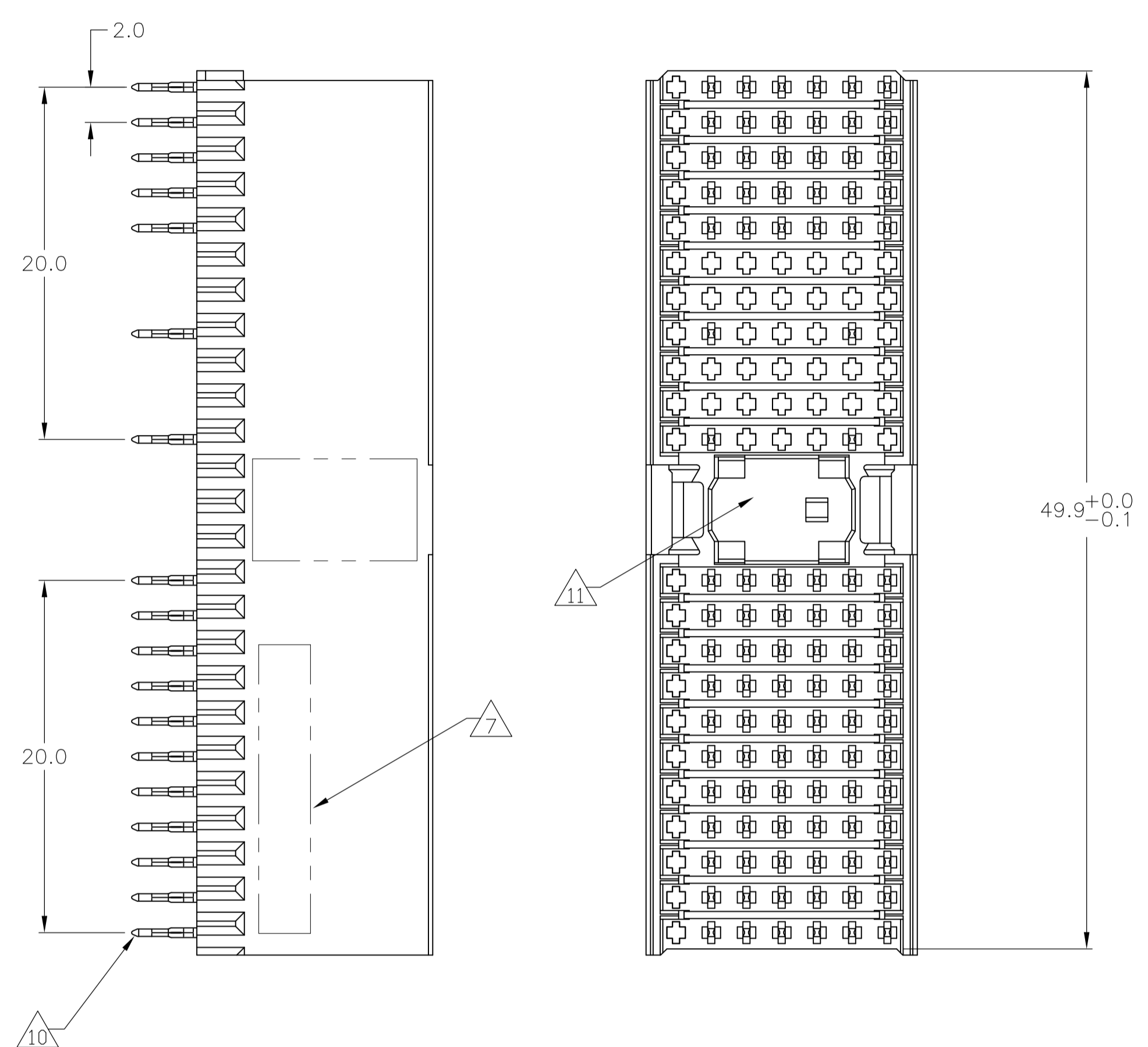
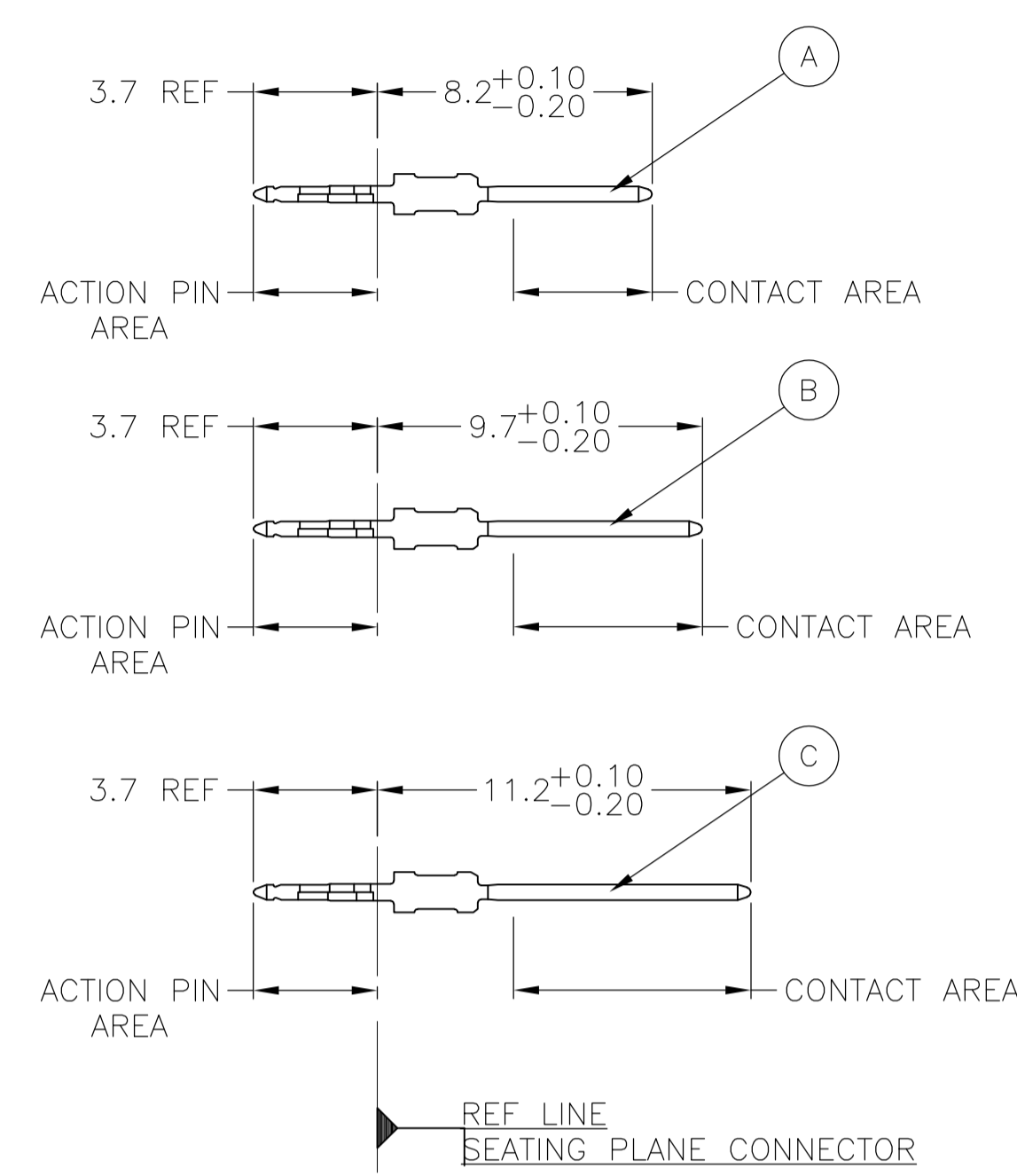


LOC		DIST		REVISIONS			
P	LTR	DESCRIPTION	DATE	DNW	APVD		
E2		REVISED PER ECO-09-021826	12SEP09	KK	AEG		
F		ECR-10-019054	15SEP10	SW	MQW		
G		ECR-12-010652	03DEC12	SY	AC		

### CONNECTOR ASSEMBLY EXAMPLARY LOADED



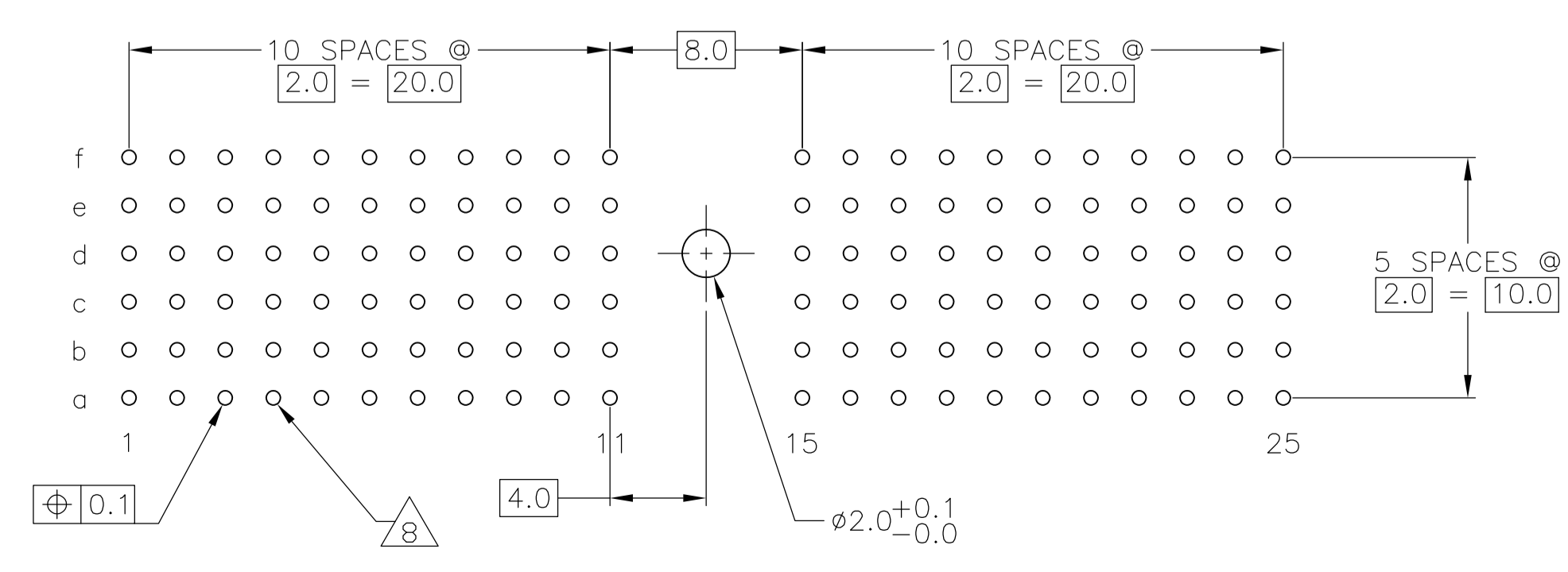
### CONTACT DIMENSIONS SCALE 5:1



### CONTACT LAYOUT

	z	a	b	c	d	e	f
1		B	B	B	B	B	C
2		B	B	B	B	B	C
3		B	B	A	B	B	C
4		B	B	B	B	B	C
5		C	B	B	B	C	C
6							
7							
8		B				B	
9							
10							
11		C				C	
MULTI PURPOSE CENTER							
15		B	B	B	C	B	C
16		B	B	B	C	B	C
17		B	B	B	C	B	C
18		B	B	B	C	B	C
19		B	B	B	C	B	C
20		B	B	B	C	B	C
21		B	B	B	C	B	C
22		B	B	B	C	B	C
23		B	B	B	C	B	C
24		B	B	B	B	C	C
25		B	B	B	B	B	C

### RECOMMENDED PCB-HOLE LAYOUT COMPONENT SIDE SHOWN




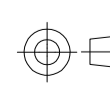
### PLATED THRU HOLES PARAMETERS REFERENCE APPLICATION SPECIFICATION

2	6	14	1-352352-9
2	5	14	<del>352352-9</del>
2	4	14	352352-4
2	3	14	<del>352352-1</del>
FINISH			PART NUMBER

THIS DRAWING IS A CONTROLLED DOCUMENT.

DIMENSIONS: mm	TOLERANCES UNLESS OTHERWISE SPECIFIED:	DIN B CARBO 26JUL05	26JUL05	Tyco Electronics Corporation Harrisburg, Pa 17105-3608
0-PLC ±	1-PLC ±0.1	APVD G SKIPPER 26JUL05	NAME	MALE ASSEMBLY, Z-PACK 2mm HM, TYPE A
2-PLC ±	3-PLC ±	PRODUCT SPEC	108-19082	APPLICATION SPEC
4-PLC ±	ANGLES ±	114-19029	SIZE	CAGE CODE
MATERIAL 1	FINISH SEE TABLE	WEIGHT	A1 00779	DRAWING NO
		CUSTOMER DRAWING	SCALE 4:1	SHEET 1 OF 2

- 1 MATERIAL:  
CONTACT: PHOSPHOR BRONZE.  
HOUSING: GLASS-FILLED POLYESTER.
- 2 GENERAL PLATING SPECIFICATION: UNDERPLATING  
(ENTIRE CONTACT): 1.27µm MIN NICKEL AND ACTION  
PIN: 0.5µm MIN TIN LEAD.  
FOR PLATING OF MATING SURFACES SEE APPLICABLE  
SPECIFICATION REFERENCE FOR EACH DASH NUMBER.
- 3 CONFORMS TO ALL TESTING ACCORDING TO IEC 61076-4-101  
PERFORMANCE LEVEL 2.
- 4 CONFORMS TO ALL TESTING ACCORDING TO IEC 61076-4-101  
PERFORMANCE LEVEL 1.
- 5 CONNECTOR TESTED AND QUALIFIED AGAINST TELCORDIA GR-1217-CORE QUALITY LEVEL 3,  
CENTRAL OFFICE APPLICATIONS.
- 6 CONNECTOR TESTED AND QUALIFIED AGAINST TELCORDIA GR-1217-CORE QUALITY LEVEL 3,  
UNCONTROLLED ENVIROMENT APPLICATIONS.
- 7 CONNECTOR MARKED WITH PART NUMBER AND DATE CODE.  
ADDITIONAL CHARACTERS OR MARKINGS, AS WELL AS THE LOCATION OF THE MARKINGS,  
MAY BE ADDED FOR TRACEABILITY BASED UPON MANUFACTURERS DISCRETION.
- 8 PLATED-THROUGH HOLES AT 2x2mm SQUARE GRID  
PATTERN DEFINED BY CONTACT LAYOUT.
- 9 FOR ACTUAL PIN LOADING SEE "CONTACT LAYOUT".
- 10 FOR ACTUAL PIN DIMENSIONS SEE "CONTACT DIMENSIONS".
- 11 AREA RESERVED FOR KEYING PART (BASIC P/N 100525)
- 12 -
- 13 TO BE MEASURED AT BOTTOM OF SHROUD.
- 14 CONNECTOR LUBRICATED WITH BELCORE APPROVED LUBRICANT,  
TECHNICAL REFERENCE: TR-NWT-001217 ISSUE 1, SEP 1992.
- 15 OBSOLETE PARTS: OBSOLETE CIS STREAMLINING PER D.RENAUD/D.SINISI

THIS DRAWING IS A CONTROLLED DOCUMENT.		DIN B CARBO	26JUL05	 Tyco Electronics Corporation Harrisburg, Pa 17105-3608
		CHK G SKIPPER	26JUL05	
DIMENSIONS: mm		TOLERANCES UNLESS OTHERWISE SPECIFIED:		NAME
		0-PLC ±	±0.2	108-19082
		1-PLC ±	±0.1	114-19029
		2-PLC ±	±0.2	
		3-PLC ±	±0.2	
		4-PLC ±	±0.2	
		ANGLES	±	
MATERIAL SEE SHEET 1	FINISH SEE SHEET 1	WEIGHT	—	SIZE A1
		CUSTOMER DRAWING		SCALE 4:1
		SHEET 2 OF 2		REV G