

DIN Rail Mount 17.5 mm MIC Part number 84871122



- Control of AC currents
- Built-in current transformer
- Measurement ranges from 2 A to 20 A
- Choice of output relay action
- True RMS measurement

Part numbers

	Type	Functions	Measurement range	Nominal voltage (V)
84871122	MIC	Overcurrent (or undercurrent)	2 →20 A	24 →240 V AC/DC

Specifications

Supply

Supply voltage Un	24 V →240 V AC/DC
Voltage supply tolerance	-15 % / +10 %
Operating range	20,4 V →264 V AC/DC
Polarity with DC voltage	■
AC supply voltage frequency	50 / 60 Hz ± 10 %
Galvanic isolation of power supply/measurement	■
Power consumption at Un	3 VA in AC et 1 W in DC
Immunity from micro power cuts	10 ms

Inputs and measuring circuit

Type	Built-in current transformer
Measurement range	2 →20 A
Permanent overload at 25 °C	100 A
Pulse overload < 3 s →25 °C	300 A
Frequency of measured signal	40 →70 Hz sinusoidal
Max. measuring cycle time	30 ms/True RMS measurement
Threshold adjustment	10 →100 % of the range
Adjustable hysteresis	15 % (fixed) of displayed threshold
Display precision	±10 % of full scale
Repetition accuracy with constant parameters	± 0,5 %
Measuring error with voltage drift	< 1 %
Measuring error with temperature drift	± 0,05 % / °C

Timing

Reset time	200 ms
Delay on pick-up	500 ms

Output

Type of output	1 single pole changeover relay
Type of contacts	No cadmium
Maximum breaking voltage	250 V AC/DC
Max. breaking current	5 A AC/DC
Min. breaking current	10 mA / 5 V DC
Electrical life (number of operations)	1 x 10 ⁵
Breaking capacity (resistive)	1250 VA AC
Maximum rate	360 operations/hour at full load
Operating categories acc. to IEC/EN 60947-5-1	AC12, AC13, AC14, AC15, DC12, DC13, DC14
Mechanical life (operations)	30 x 10 ⁶

Insulation

Nominal insulation voltage IEC/EN 60664-1	400 V
Insulation coordination (IEC/EN 60664-1)	Overvoltage category III : degree of pollution 3
Rated impulse withstand voltage (IEC/EN 60664-1)	4 KV (1,2 / 50 µs)
Dielectric strength (IEC/EN 60664-1)	2 KV AC 50 Hz 1 min.
Insulation resistance (IEC/EN 60664-1)	> 500 MΩ @ 500 V DC

General characteristics

Display power supply	Green LED
Display relay	Yellow LED
Casing	17,5 mm
Mounting	On 35 mm symmetrical DIN rail, IEC/EN 60715
Mounting position	All positions
Material : enclosure plastic type VO to UL94 standard	Incandescent wire test according to IEC 60695-2-11 & NF EN 60695-2-11

Protection (IEC/EN 60529)	Terminal block : IP20 Casing : IP30
Weight	110 g
Connecting capacity IEC/EN 60947-1	Rigid : $1 \times 4^2 - 2 \times 2,5^2 \text{ mm}^2$ $1 \times 11 \text{ AWG} - 2 \times 14 \text{ AWG}$ Flexible with ferrules : $1 \times 2,5^2 - 2 \times 1,5^2 \text{ mm}^2$ $1 \times 14 \text{ AWG} - 2 \times 16 \text{ AWG}$
Max. tightening torques IEC/EN 60947-1	0,6 → 1Nm / 5,3 → 8,8 Lbf.In
Operating temperature IEC/EN 60068-2	-20 → +50 °C
Storage temperature IEC/EN 60068-2	-40 → +70 °C
Humidity IEC/EN 60068-2-30	2 x 24 hr cycle 95 % RH max. without condensation 55 °C
Vibrations according to IEC/EN60068-2-6	10 → 150 Hz, A = 0.035 mm
Shocks IEC/EN 60068-2-6	5 g

Standards

Marking	CE (LVD) 73/23/EEC - EMC 89/336/EEC
Product standard	NF EN 60255-6 / IEC 60255-6 / UL 508 / CSA C22.2 N°14
Electromagnetic compatibility (EMC)	Immunity EN 61000-6-2/IEC 61000-6-2 Emission EN 61000-6-4/EN 61000-6-3 IEC 61000-6-4/IEC 61000-6-3 Emission EN 55022 class B
Certifications	UL, CSA, GL
Conformity with environmental directives	RoHS

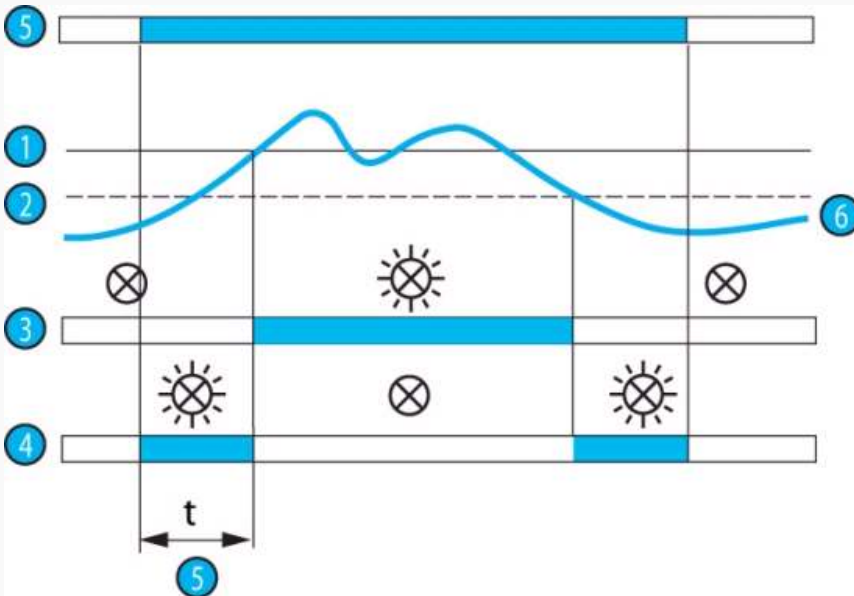
Principles



Overview

The MIC control relay is designed to control overcurrents (or undercurrents). It has a built-in current transformer.

Principles



Operating principle

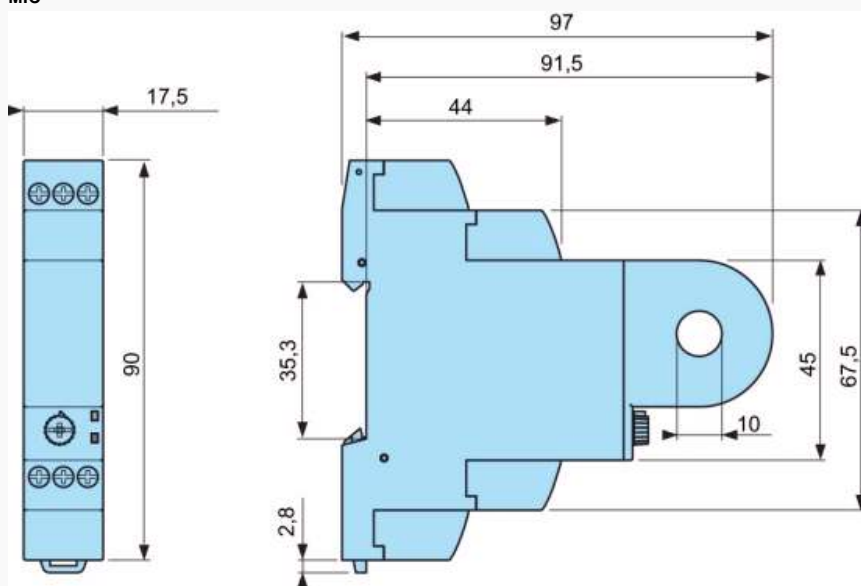
The MIC relay controls the overcurrent. The relay closes when the current exceeds the threshold displayed on the front face and opens when it falls below the threshold minus the hysteresis. When terminal Y1 is connected to A1 (+), the output is inverted. The relay opens when the current exceeds the threshold displayed on the front face and closes again when it falls back below the hysteresis (undercurrent).

Can be used for undercurrent control : ask your sales adviser.

N°	Legend
1	Threshold
2	Hysteresis
3	Closing on threshold crossing mode (Y1 and A1 not connected)
4	Opening on threshold crossing mode (Y1 and A1 connected)
5	Unit power-up
6	Controlled current

Dimensions (mm)

MIC



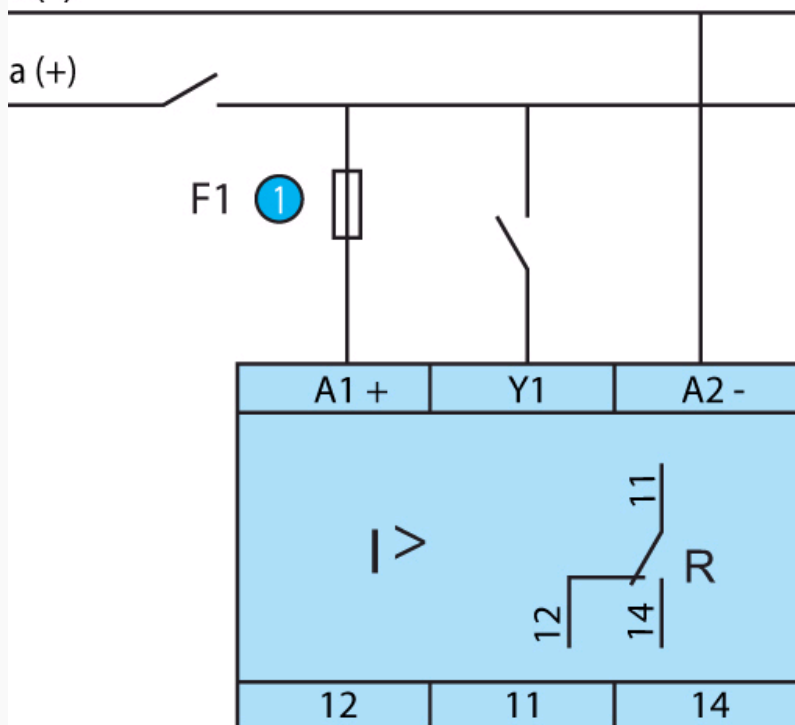
mm

Connections

MIC

a (-)

a (+)



N°	Legend
1	1A fast-blow fuse or cut-out

Product adaptations



- Customisable colours and labels
- Current range adjustable up to 50 A
- Adjustable fixed hysteresis