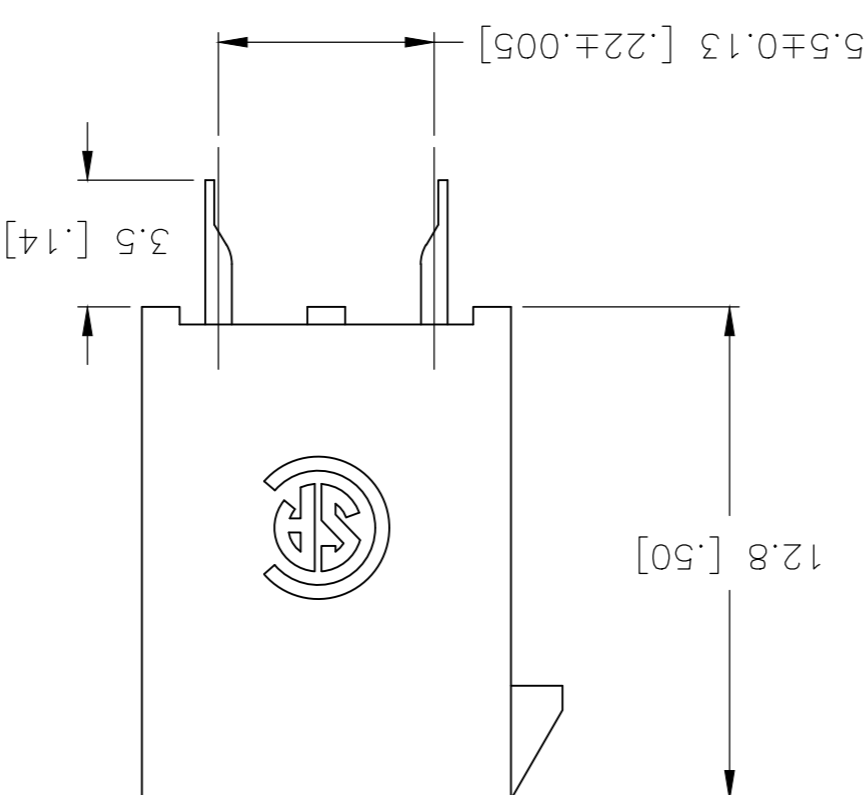
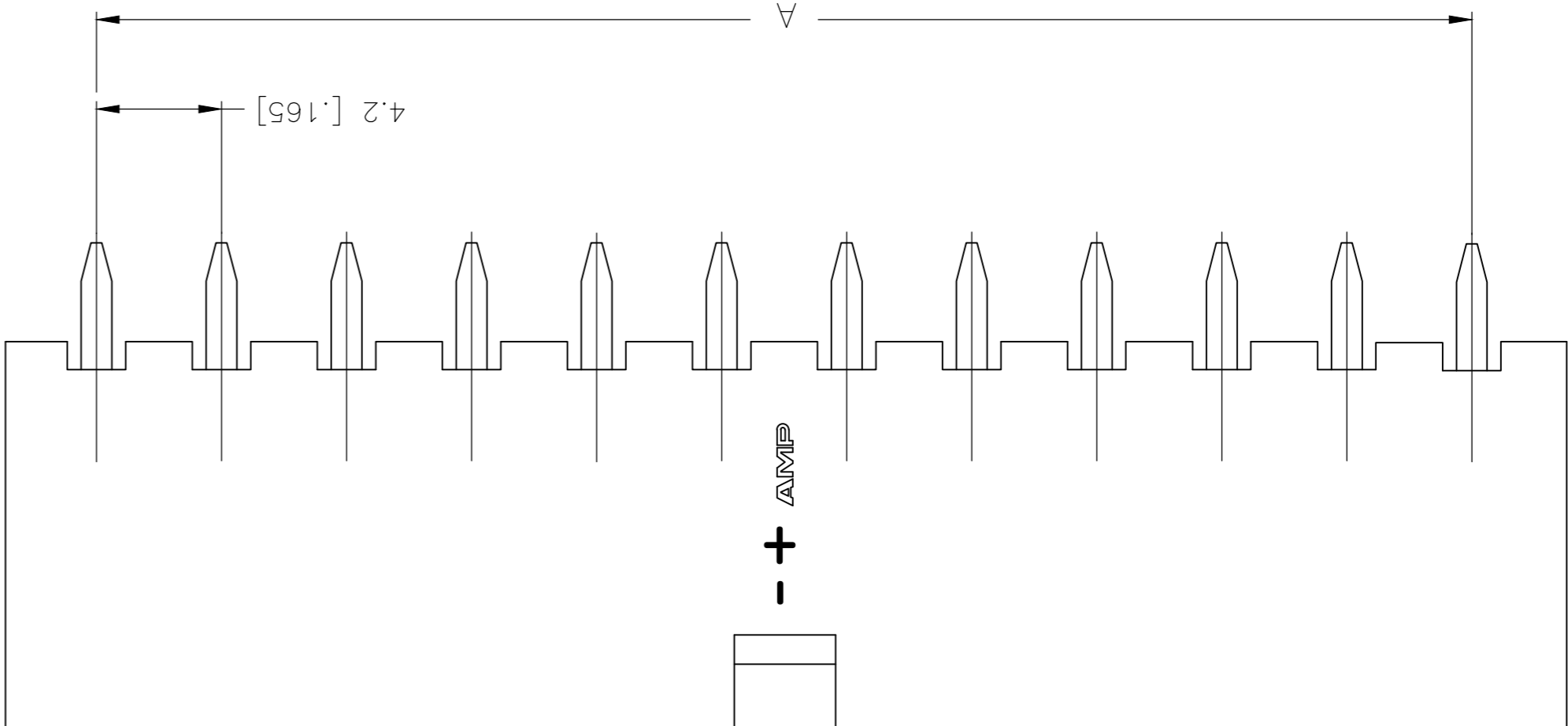
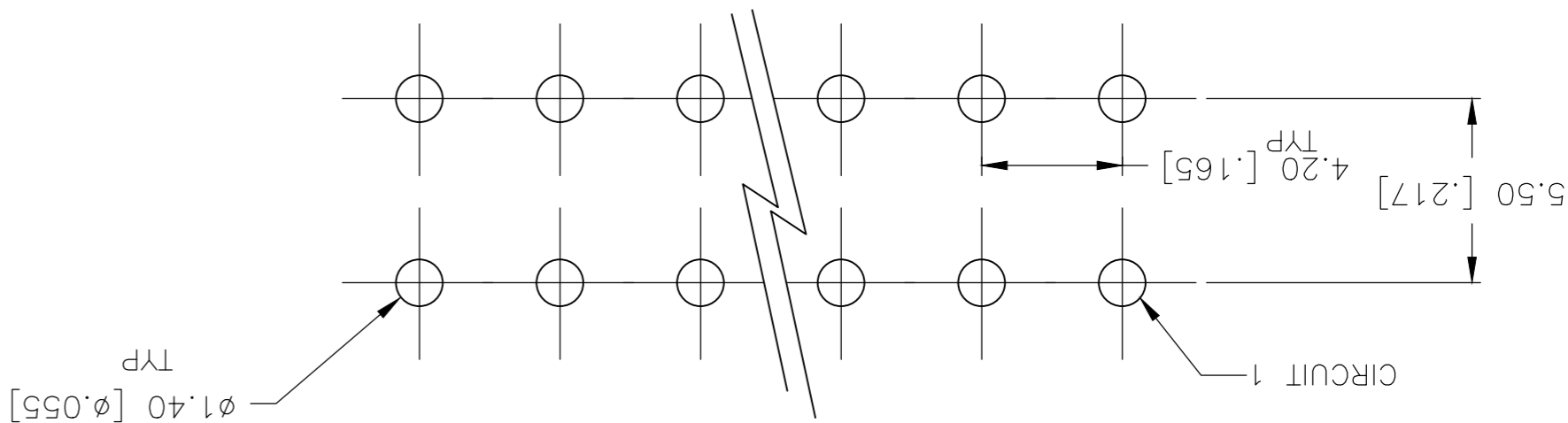


PCB LAYOUT: COMPONENT SIDE
RECOMMENDED BOARD THICKNESS 1.60 [.063]

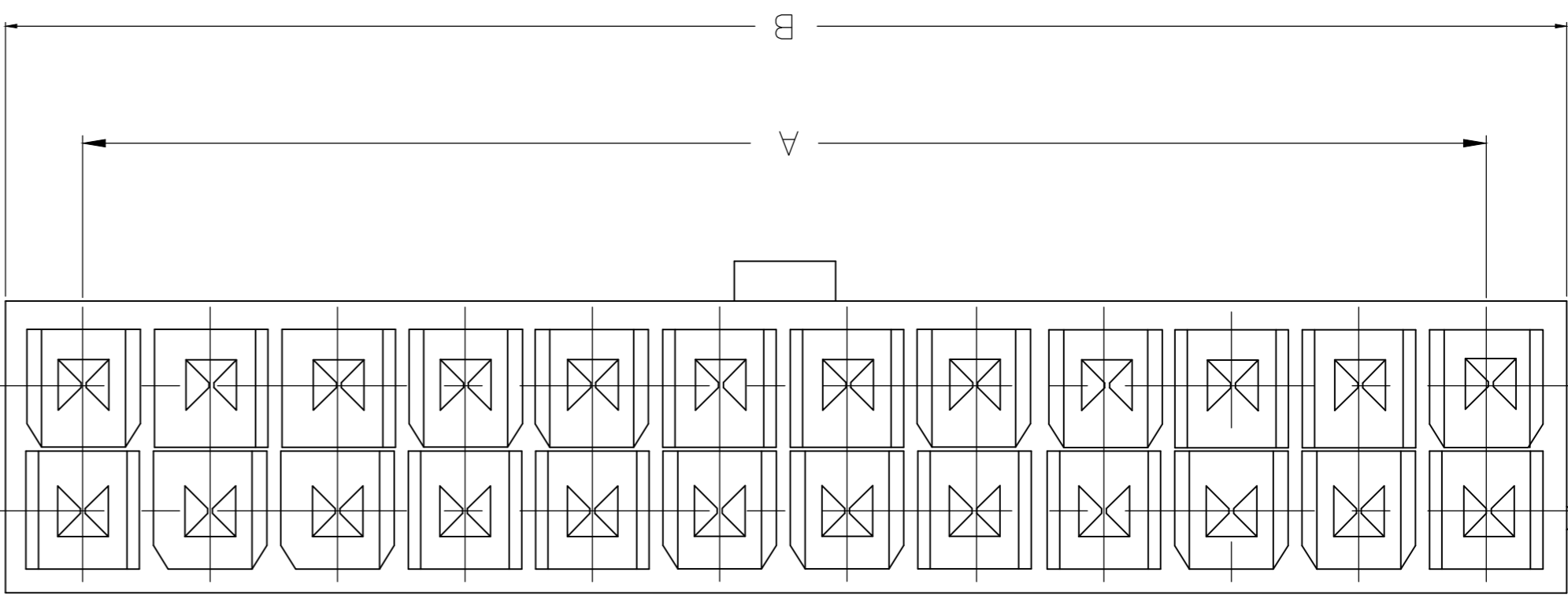


2-1586037-4 SHOWN

CUSTOMER DRAWING		SCALE N/A		SHEET 1 OF 1		REV B5	
WEIGHT		SIZE		CASE CODE		DRAWING NO	
114-13172		A2		00779		1586037	
APPLICATOR SPEC		PRODUCT SPEC		NAME		RESTRICTED TO	
108-2112		D. COLEY		18-SEP-2002		VAL-U-LOK(TM) WITH DRAIN HOLES VERTICAL HEADER WITHOUT PEGS,	
DIMENSIONS: mm [INCHES]		TOLERANCES UNLESS OTHERWISE SPECIFIED:		DWN S. HOOVER		TE Connectivity	
0 PLG ±		1 PLG ±0.5 [.02]		18-SEP-2002		STE	
1 PLG ±		2 PLG ±0.25 [.010]		18-SEP-2002		D. COLEY	
3 PLG ±		4 PLG ±		18-SEP-2002		G.H.K.	
FINISH		ANGLES		APVD		CHK	
1		2		18-SEP-2002		18-SEP-2002	
2		3		18-SEP-2002		18-SEP-2002	
3		4		18-SEP-2002		18-SEP-2002	
4		5		18-SEP-2002		18-SEP-2002	

POS	A	B±0.25[.01]	PART NUMBER
2		5.4 [.21]	1586037-2
4		4.2±0.13 [.17±.005]	1586037-4
6		8.4±0.13 [.33±.005]	1586037-6
8		12.6±0.13 [.50±.005]	1586037-8
10		16.8±0.13 [.66±.005]	1-1586037-0
12		21.0±0.25 [.83±.01]	1-1586037-2
14		25.2±0.25 [.99±.01]	1-1586037-4
16		29.4±0.25 [1.16±.01]	1-1586037-6
18		33.6±0.25 [1.32±.01]	1-1586037-8
20		37.8±0.25 [1.49±.01]	2-1586037-0
22		42.0±0.25 [1.65±.01]	2-1586037-2
24		46.2±0.25 [1.82±.01]	2-1586037-4

1586037



POSITION 1 IDENTIFICATION FEATURE

3 MATES WITH VAL-U-LOK(TM) RECEPTACLE HOUSINGS.
CONTACT FINISH: 0.002032 [.000080] MIN BRIGHT TIN OVER 0.000381 [.000015] MIN NICKEL OVER ENTIRE CONTACT.
CONTACTS-0.25 [.010] THICK BRASS ALLOY.
MATERIAL: HOUSING-NYLON, UL94V-2 (COLOR-NATURAL, COLOR OF PARTS MAY VARY)

REVISIONS	DATE	DESCRIPTION	APVD	DATE	DESCRIPTION	APVD
B5	06MAY2020	REVISED PER ECR-19-013240	WH	DZ		