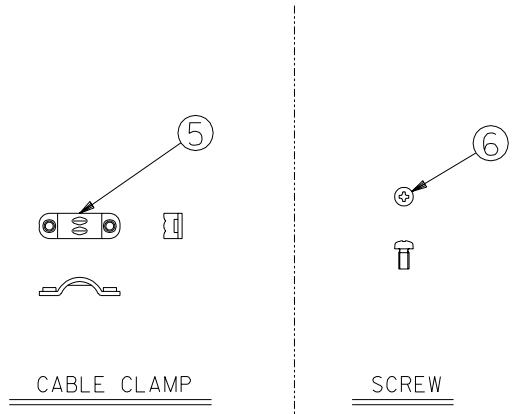


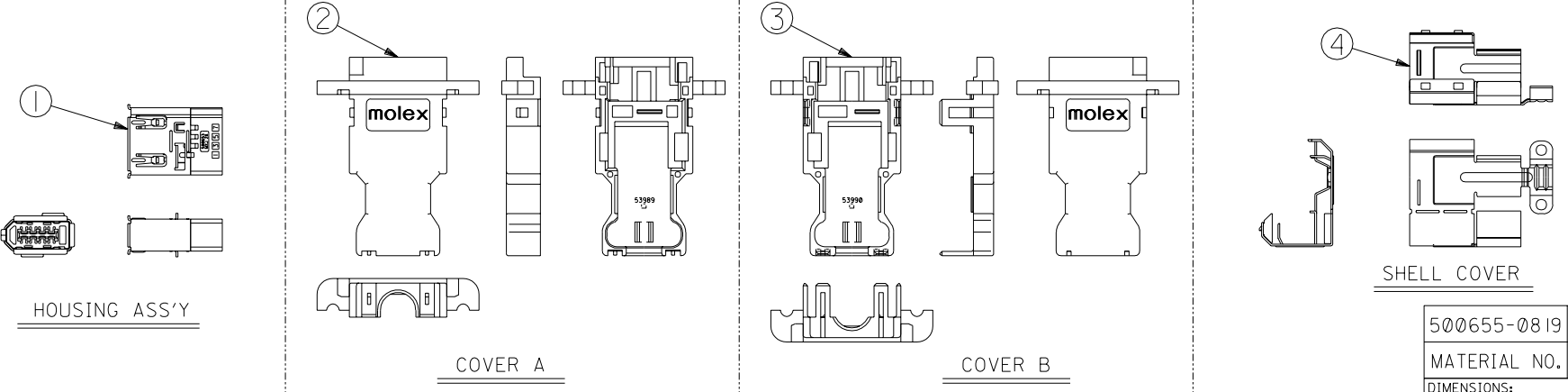
DWG. NO. SD-500655-012

部品構成
PARTS CONSTRUCTION

部番 NO.	部品名 PART NAME	製品番号 ENG. NO.	個数 QUAN.	材質 MATERIAL
①	ハウジングアッセンブリ HOUSING ASS'Y	500653-0819	1	ハウジング: ガラス入り耐熱樹脂 UL94V-0 色:黒 HOUSING: G.F. HEAT RESISTANT PLASTIC UL94V-0 COLOR: BLACK シェル :りん青銅 t0.4 SHELL : PHOSPHOR BRONZE t0.4 メッキ仕様 ニッケル下地錫メッキ PLATING TIN OVER NICKEL
②	カバーA COVER A	53989-0815	1	ガラス入りポリカーボネイト樹脂 UL94V-0 色:グレー POLYCARBONATE G.F. UL94V-0 COLOR: GRAY
③	カバーB COVER B	53990-0815	1	
④	シェル カバー SHELL COVER	58302-0828	1	鋼 t0.4 STEEL t0.4 メッキ仕様 :ニッケル下地、錫メッキ PLATING : NICKEL BASE, TIN PLATING
⑤	ケーブルクランプ CABLE CLAMP	58303-0000	1	ステンレス鋼 STAINLESS STEEL
⑥	十字穴付きなべ小ネジ CROSS RECESSED PAN HEAD MACHINE SCREW	59832-0009	2	黄銅(ネジサイズ:M2X4) BRASS (SCREW SIZE: M2X4)



NOTES:
本製品は 500655-0810 の鉛フリー品である。
THIS PRODUCT IS LEAD FREE OF 500655-0810.

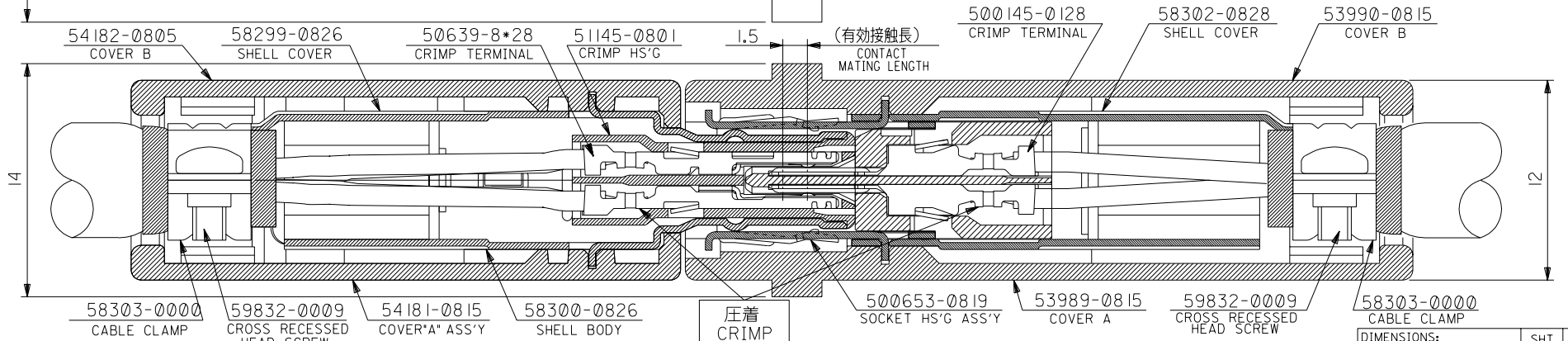
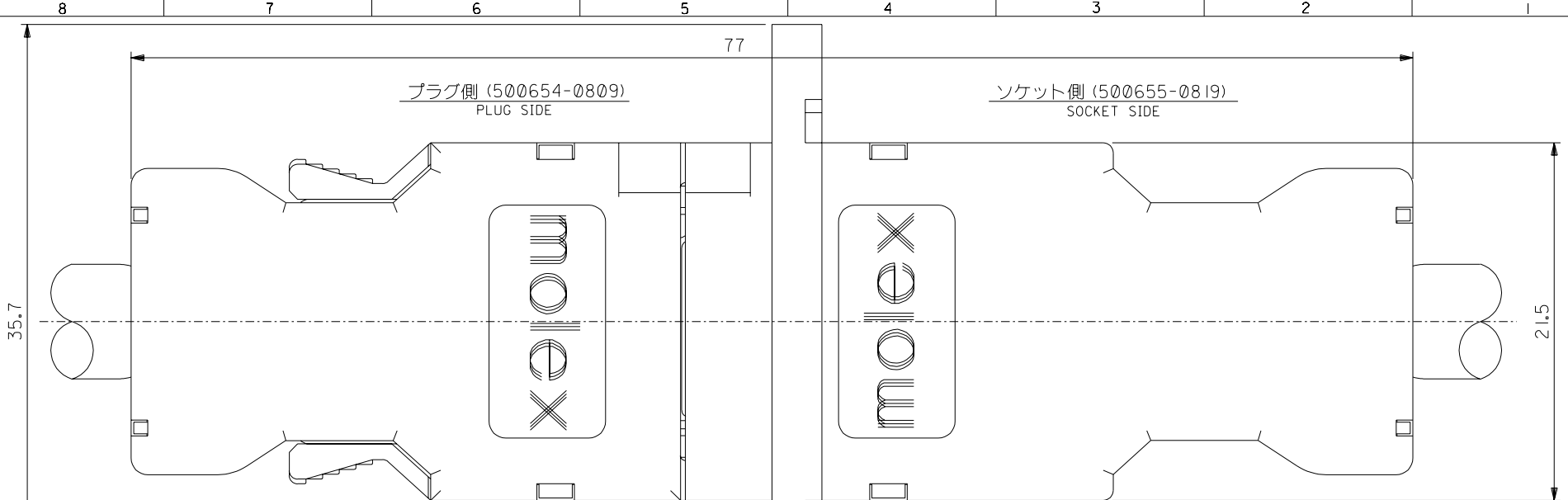


500655-0819	500655-**-19		
MATERIAL NO.	MODEL NO.		
DIMENSIONS: <input type="checkbox"/> mm <input type="checkbox"/> INCH <input checked="" type="checkbox"/> mm ONLY		SHT	REV
		REVISE ON CAD ONLY	

DO NOT SCALE DRAWING

EC NO. DRWN: CH'K: APPR:	EC NO. DRWN: CH'K: APPR:	EC NO. DRWN: CH'K: APPR:	EC NO. DRWN: CH'K: APPR:	EC NO. DRWN: CH'K: APPR:	RELEASSED EC NO. J2004-3819 DRWN: H.KAWABATA '04/04/16 CH'K: K.TOJO '04/04/16 APPR: M.SASAO '04/04/16	MATERIAL 材料	FINISH 仕上げ	WIRE RANGE 適用電線範囲	INS. RANGE 被覆外径	GENERAL TOLERANCES: (UNLESS SPECIFIED) 一般公差	SCALE 1:1	DESIGN UNITS <input checked="" type="checkbox"/> mm <input type="checkbox"/> INCH	THIRD ANGLE PROJECTION	TITLE: 2.0mm PITCH I/O CONN. SOCKET SET (CRIMP TYPE) -LEAD FREE-	MATERIAL NO. DRAWING NO. SHEET NO.
						—#—	—#—	—#—	—#—	10 UNDER 未満 ±0.2	DRAWN BY & DATE H.KAWABATA '04/04/16			MOLEX MOLEX INCORPORATED	SD-500655-012.S01
						—#—	—#—	—#—	—#—	10 OVER 30 UNDER 未満 ±0.25	CHECKED BY & DATE K.TOJO '04/04/16				1 OF 2
						—#—	—#—	—#—	—#—	30 OVER 以上 ±0.3	APPROVED BY & DATE M.SASAO '04/04/16				
						—#—	—#—	—#—	—#—	ANGLE 角度 ±3°	CAD FILENAME SD-500655-012.S01				
											THIS DRAWING CONTAINS INFORMATION THAT IS PROPRIETARY TO MOLEX INCORPORATED AND SHOULD NOT BE USED WITHOUT WRITTEN PERMISSION.			SIZE B	

DWG. NO.
SD-500655-012



DO NOT SCALE DRAWING

EC NO. DRAWN: CHK'g: APPR:	EC NO. DRAWN: CHK'g: APPR:	EC NO. DRAWN: CHK'g: APPR:	EC NO. DRAWN: CHK'g: APPR:	EC NO. DRAWN: CHK'g: APPR:

RELEASED
EC NO. J2004-3819
DRWN: H.KAWABATA '04/04/16
CHK'g: K.TOJO '04/04/16
APPR: M.SASAO '04/04/16

MATERIAL 材料	— # —
FINISH 仕上げ	— # —
WIRE RANGE 適用電線範囲	— # —
INS. RANGE 被覆外径	— # —

GENERAL TOLERANCES: (UNLESS SPECIFIED) 一般公差	
10 UNDER 未満	±0.2
10 OVER 30 UNDER 以上 未満	±0.25
30 OVER 以上	±0.3
ANGLE 角度	±3°

SCALE 4 : 1	DESIGN UNITS mm INCH
DRAWN BY & DATE H.KAWABATA '04/04/16	
CHECKED BY & DATE K.TOJO '04/04/16	
APPROVED BY & DATE M.SASAO '04/04/16	
CAD FILENAME SD-500655-012.S02	MATERIAL NO. SEE CHART

THIRD ANGLE PROJECTION	DIMENSIONS: mm INCH mm ONLY	SHT REV
TITLE: 2.0mm PITCH I/O CONN. SOCKET SET (CRIMP TYPE) -LEAD FREE-		REVISE ON CAD ONLY
MOLEX MOLEX INCORPORATED		
MATERIAL NO. SD-500655-012	DRAWING NO. SD-500655-012	SHEET NO. 2 OF 2
THIS DRAWING CONTAINS INFORMATION THAT IS PROPRIETARY TO MOLEX INCORPORATED AND SHOULD NOT BE USED WITHOUT WRITTEN PERMISSION.		SIZE B