

THIS DRAWING IS UNPUBLISHED. RELEASED FOR PUBLICATION 20
 © COPYRIGHT 20 BY - ALL RIGHTS RESERVED.

REVISIONS				
P	LTR	DESCRIPTION	DATE	APVD
A		INITIAL RELEASE	08JUN2021	G.W C.W

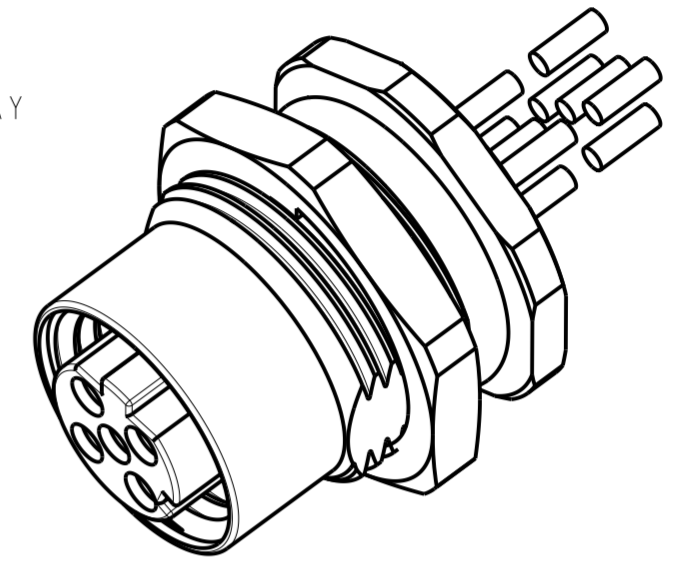
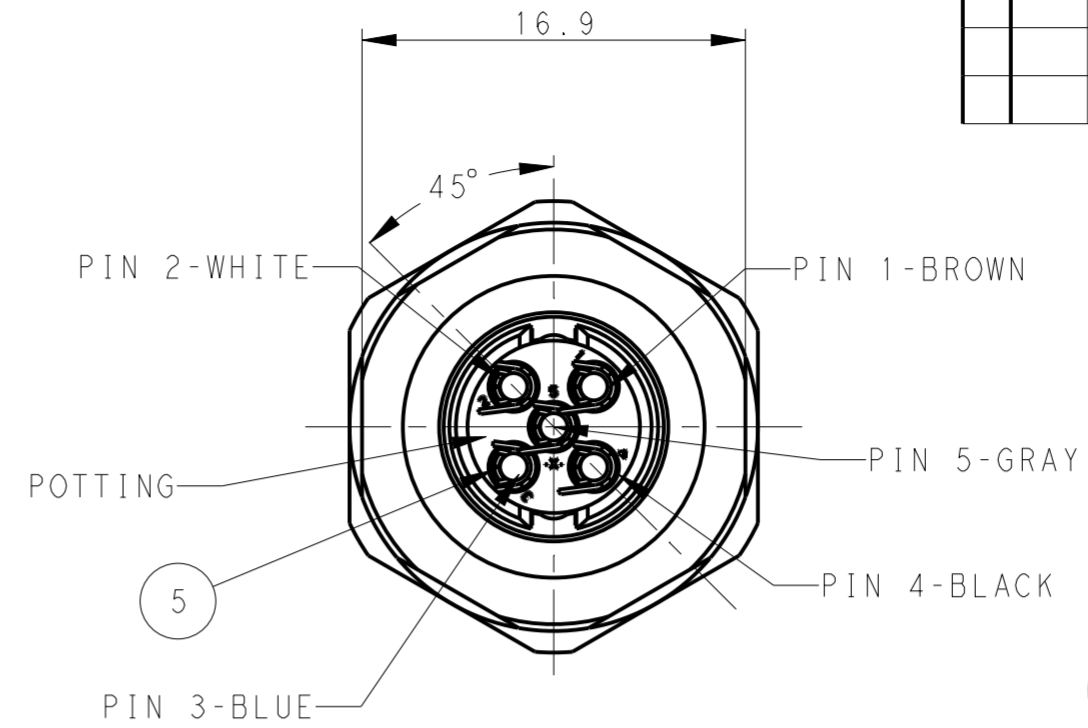
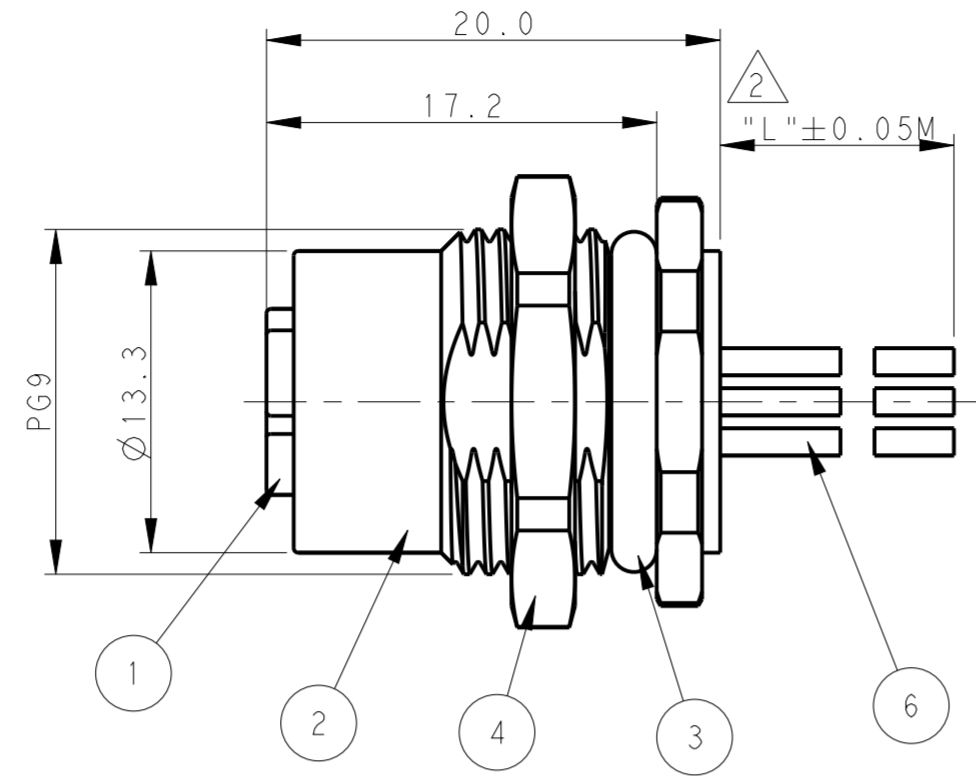
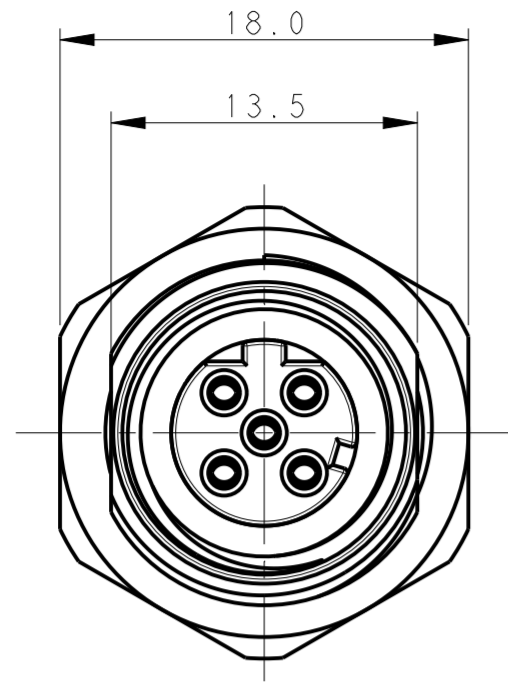


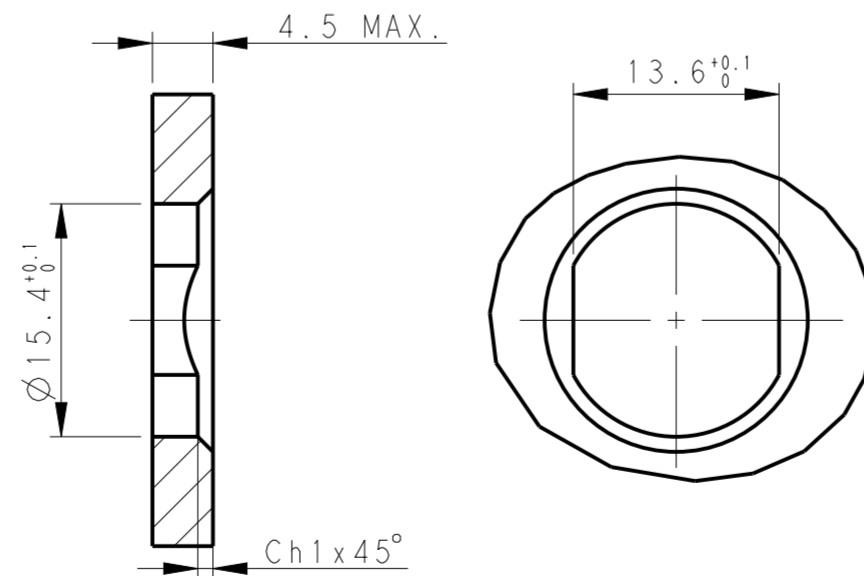
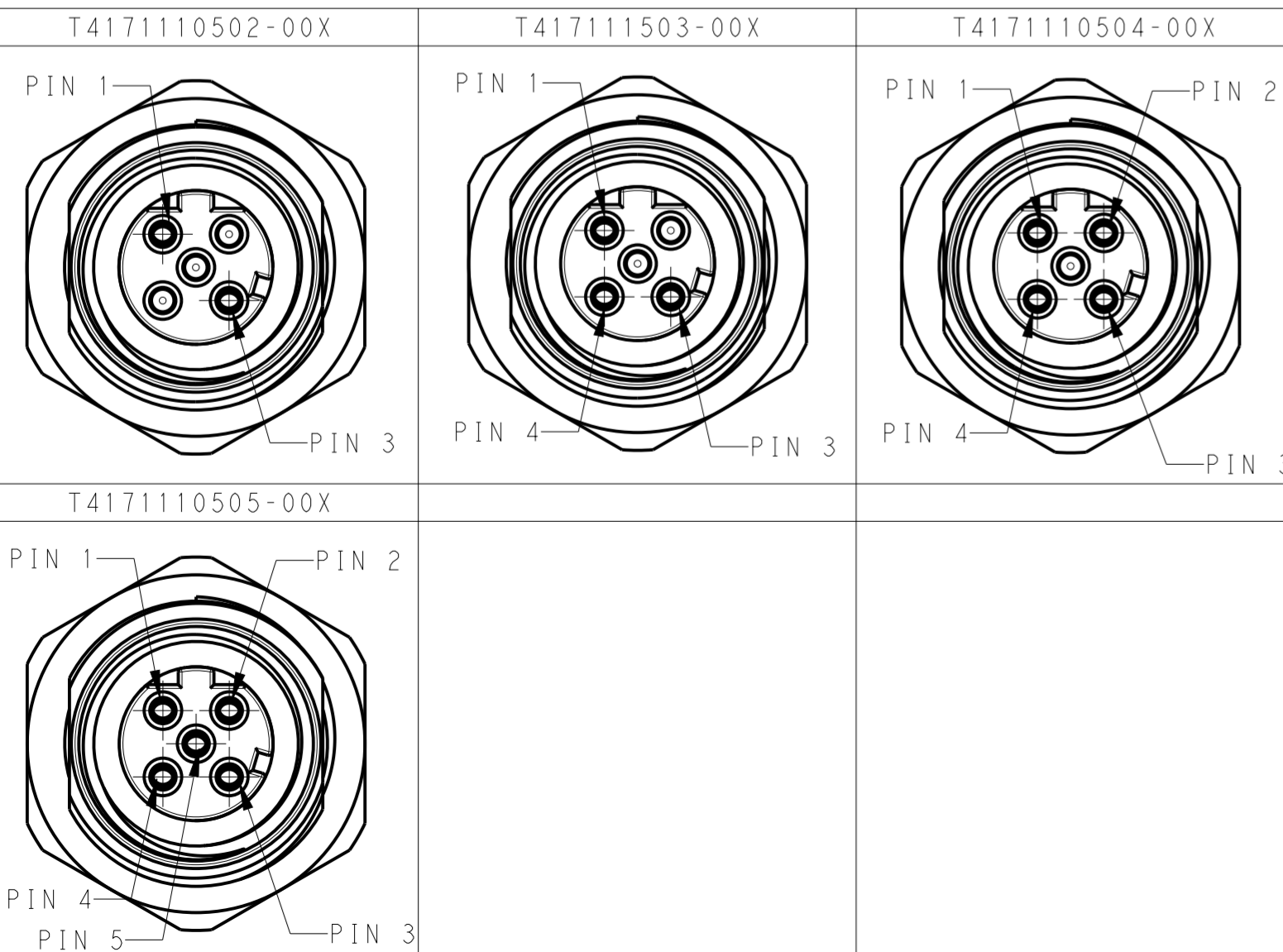
TABLE 1

TECHNICAL DATA	T4171110502-00X	T4171110503-00X	T4171110504-00X	T4171110505-00X
RATED VOLTAGE	250V	250V	250V	60V
RATED CURRENT	4A	4A	4A	4A
POLLUTION DEGREE	3	3	3	3
OVERVOLTAGE CATEGORY	II	II	II	II
MATERIAL GROUP	II	II	II	II
INSULATION RESISTANCE	>100MΩ	>100MΩ	>100MΩ	>100MΩ
DEGREE OF PROTECTION	IP67	IP67	IP67	IP67
OPERATION TEMPERATURE	-40~85°C	-40~85°C	-40~85°C	-40~85°C

NOTE:
 1. TECHNICAL DATA: SEE TABLE 1
 2. CABLE LENGTH(L): -00X
 -001:0.2m;
 3. RECOMMENDED MOUNT PANEL SEE DETAIL
 4. ALL DIMENSIONS ARE FOR NOMINAL REFERENCE ONLY
 UNLESS OTHERWISE STATED

注释:
 1. 技术参数, 见表1
 2. 线长(L): -00X
 -001:0.2m;
 3. 推荐开孔尺寸详见如图所示
 4. 所有尺寸仅供参考, 除非另有说明

PIN ARRANGEMENT D-CODE



RECOMMENDED PANEL CUTOUT

M12D-FF-4CON-PG9-0.2LAU	T4171110504-001	1SET311143R0000
DESCRIPTION	TE PN	ENTRELEC PN

COMMENT	MATERIAL	DESCRIPTION	ITEM	T4171110502-00X	T4171110503-00X	T4171110504-00X	T4171110505-00X
-	-	CABLE	6	2	3	4	5
FLASH GOLD	COPPER ALLOY	CONTACT	5	2	3	4	5
-	COPPER ALLOY	METAL NUT	4	1	1	1	1
BLACK	RUBBER	O-RING	3	1	1	1	1
-	COPPER ALLOY	M12, MALE, METAL BODY	2	1	1	1	1
BLACK	NYLON	M12, MALE HSG, D CODE, 5PINS	1	1	1	1	1

THIS DRAWING IS A CONTROLLED DOCUMENT.

DWN: GAVIN WANG 08JUN2021
 CHK: KEVIN HUANG 08JUN2021
 APVD: CHRIS WANG 08JUN2021

ENTRELEC
 Electrical Solutions

NAME: M12 PANEL MOUNT CONNECTOR D CODE, FEMALE, REAR MOUNTING

PRODUCT SPEC: 108-106140
 APPLICATION SPEC: 114-137144

SIZE: A2 CAGE CODE: - DRAWING NO: G-1SET311P19R0000 RESTRICTED TO: -
 WEIGHT: - SCALE: 3:1 SHEET 1 OF 1 REV A

CUSTOMER DRAWING