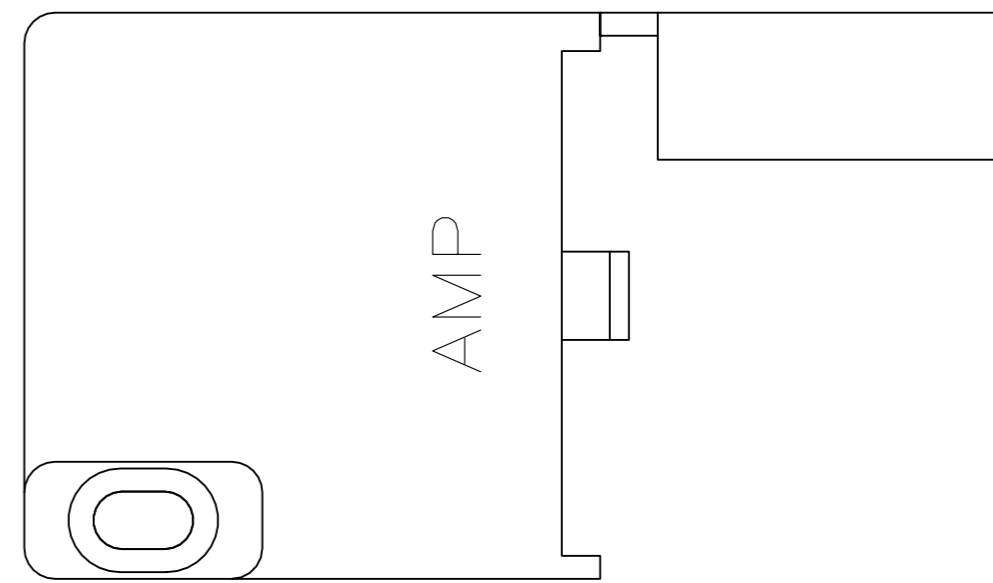
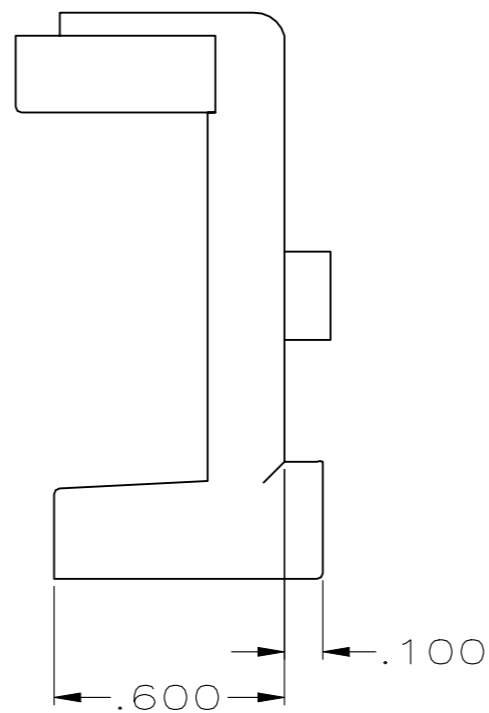
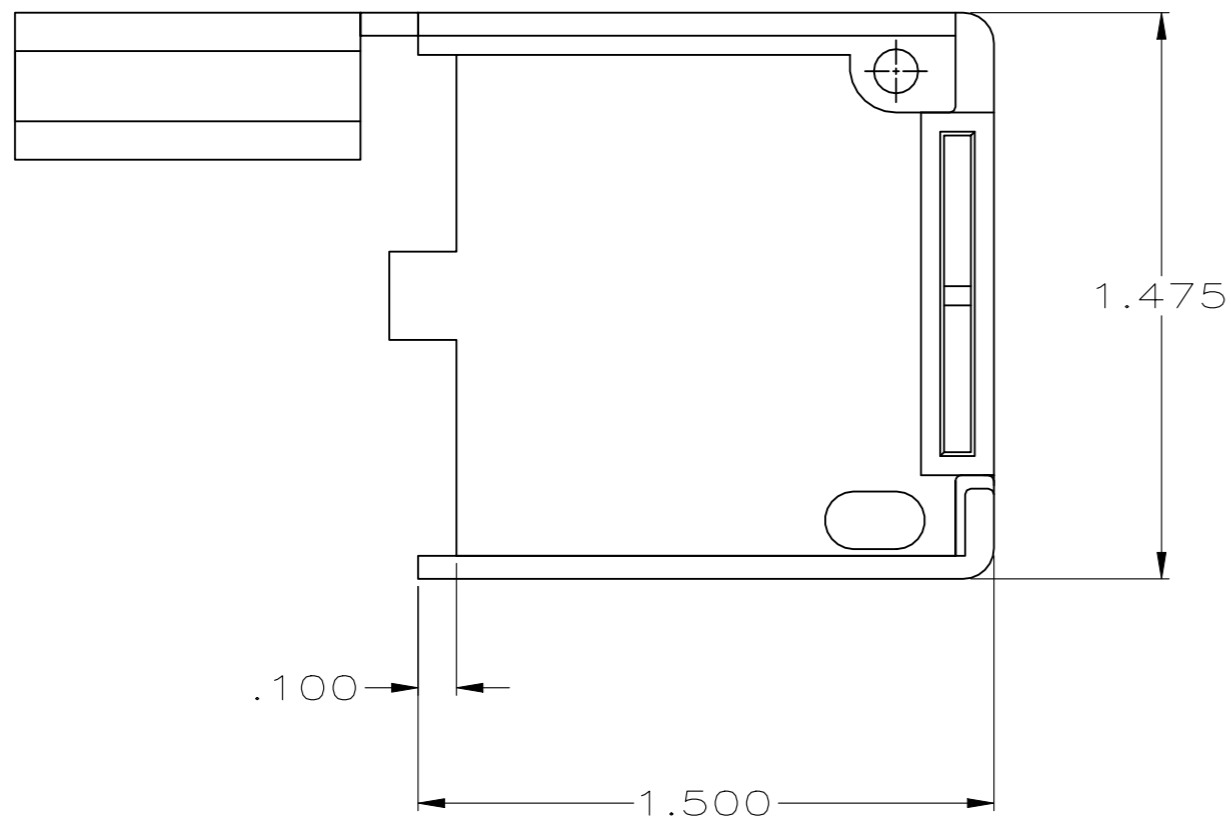
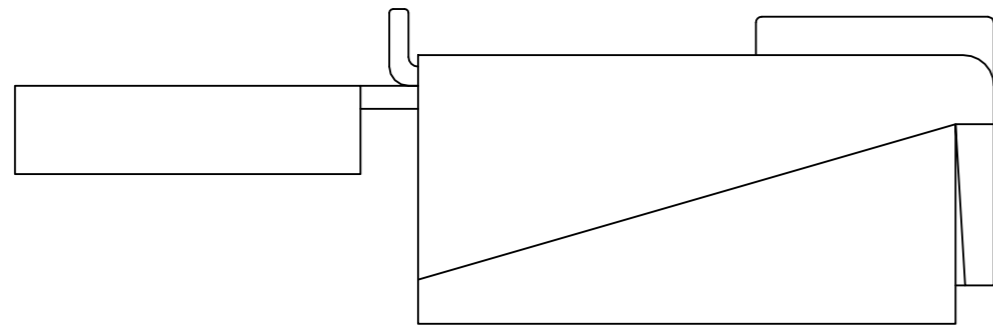


REVISIONS					
P	LTR	DESCRIPTION	DATE	DWN	APVD
G		ECN-22-144047	17MAR2022	RK	JMV



643266

B

A

643266-1

PART NUMBER

THIS DRAWING IS A CONTROLLED DOCUMENT.		DWN	2-14-90	TE TE Connectivity	
		J GALLUCCI	BG		
DIMENSIONS: INCHES		CHK	3-19-90	STRAIN RELIEF, HIGH CURRENT COMMERCIAL CONNECTOR	
TOLERANCES UNLESS OTHERWISE SPECIFIED:		APVD	3-19-90		
0 PLC ± -		PRODUCT SPEC	-		
1 PLC ± -		APPLICATION SPEC	-		
2 PLC ± -		WEIGHT	-	SIZE	A2
3 PLC ± .015		MATERIAL	NYLON, 94V-0	CAGE CODE	00779
4 PLC ± -		FINISH	COLOR: BLACK	DRAWING NO	C-643266
ANGLES ± -		CUSTOMER DRAWING		RESTRICTED TO	-
		SCALE	2:1	SHEET	1 of 1
		REV	G		