

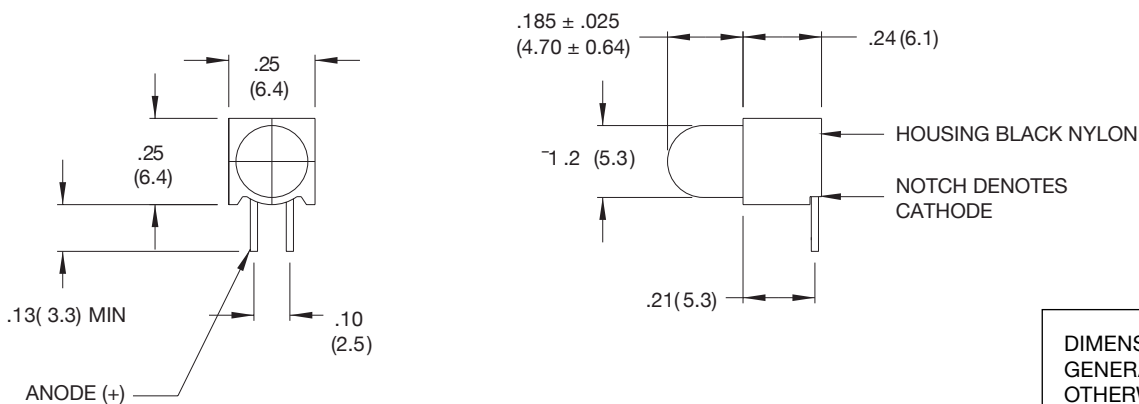
5380 Series T-1 3/4 Right Angle LED Assembly Circuit Board Indicators



Key Features

- Block mounting height and spacing alignment saves assembly cost and time
- Super Brite LEDs, high intensity light output, diffused lens.
- Built-in resistor chip operates off 5V or 12V supply without external resistor.
- TTL compatible
- Standoffs prevent flux entrapment
- RoHS Compliant
- Housing: Black Nylon, UL94V-O
- Operating Temperature: -25 to +85 (Degrees Celsius)
- Viewing Angle: 50 Degrees
- Typical power dissipation: 5380H1 is 20mW @ 10mA, 5380H5 is 22mW @ 10mA, and 5380H7 is 21mW @ 10mA

Product Dimensions



DIMENSIONS STYLE: INCHES (MM)
GENERAL TOLERANCES UNLESS OTHERWISE SPECIFIED

	INCHES	MM
.X	±.015	±.381
.XX	±.010	±.254
.XXX	±.005	±.127

Electro-Optical Characteristics and Ratings

Part Number	Color	Typ. Intensity (mcd)	Rated Current (mA)	Continuous Forward CurrentMax. (mA)	Forward VoltageTyp. (V)	Forward VoltageMax. (V)	PeakForward Current@1ms-300pps(A)	Reverse Break-down VoltageMin. (V)	Peak Wavelength (nm)
5380H1	Red	6.3	10	60	2.0	3.0	1.0	5	650
5380H3	Amber	10	10	60	2.0	3.0	1.0	5	608
5380H5	Green	10	10	60	2.2	2.5	.09	5	563
5380H7	Yellow	6.3	10	60	2.1	3.0	1.0	5	585
5380H1LC	Red	2.3	2.0	7	1.8	2.2	.007	5	635
5380H5LC	Green	2.3	2.0	7	1.8	2.2	.007	5	565
5380H7LC	Yellow	2.1	2.0	7	1.9	2.7	.007	5	585
5380H1-5V	Red	8	10	15	5	7.5	-	5	635
5380H3-5V	Amber	10	20	-	5	-	-	5	585
5380H5-5V	Green	8	10	15	5	7.5	-	5	565
5380H1-12V	Red	8	12	15	12.0	15.0	-	5	635
5380H3-12V	Amber	8	12	15	12.0	15.0	-	5	583
5380H5-12V	Green	8	12	15	12.0	15.0	-	5	565