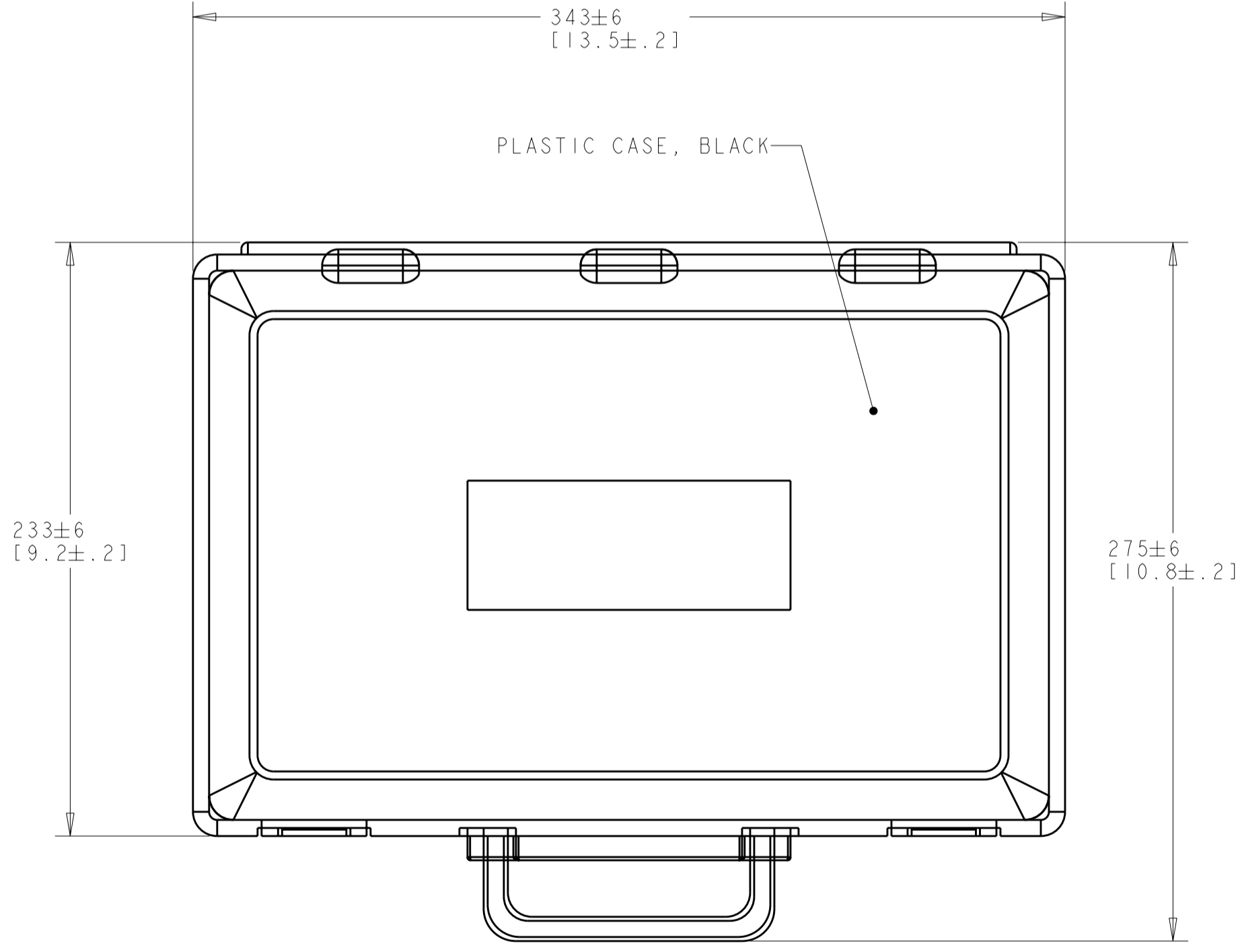
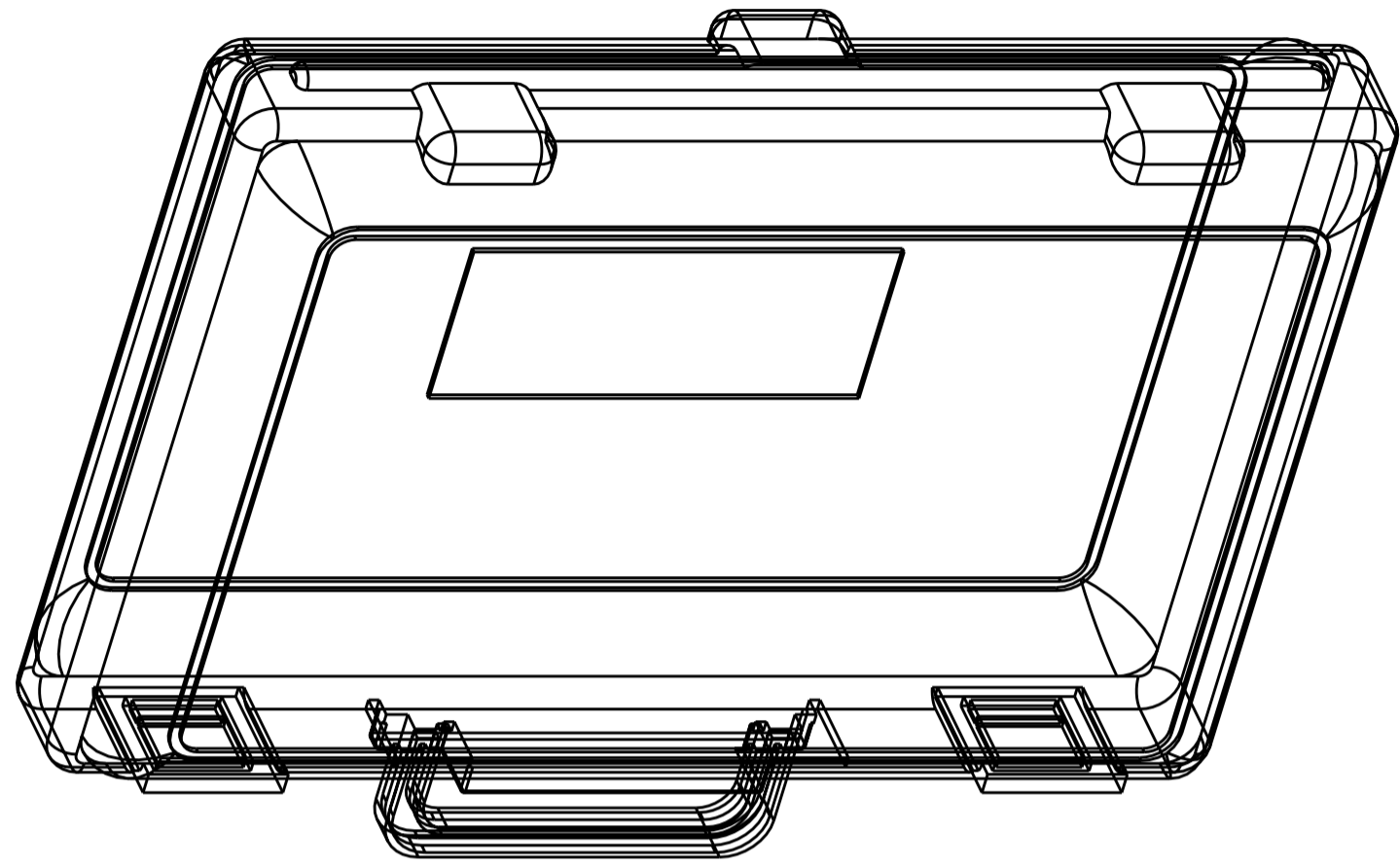
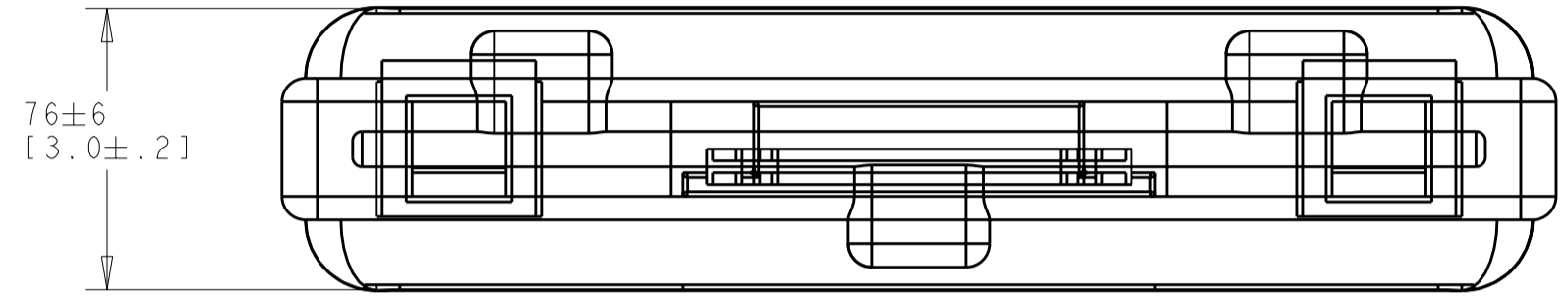


THIS DRAWING IS UNPUBLISHED. RELEASED FOR PUBLICATION .19
 © COPYRIGHT 19 BY AMP INCORPORATED. ALL RIGHTS RESERVED.

LOC	DIST	REVISIONS					
CE	00	F	LTR	DESCRIPTION	DATE	DWN	APVD
		A		REV PER 0B60-0031-01	04JUN2001	BB	DK
		B		REVISE PER 0A00-0138-01	13AUG2001	BB	DK
		C		REVISE PER ECR-06-014872	20JUN2006	BB	DK



1. 1278863-1 INCLUDES MT-RJ ADAPTER (1), MT-RJ TO SC SIMPLEX CABLE ASSEMBLY (2), MT-RJ (PINS) TO SC SIMPLEX CABLE ASSEMBLY (1), AND MT-RJ TO MT-RJ CABLE ASSEMBLY (1).
2. 1278863-2 INCLUDES MT-RJ ADAPTER (1), MT-RJ TO ST SIMPLEX CABLE ASSEMBLY (2), MT-RJ (PINS) TO ST SIMPLEX CABLE ASSEMBLY (1), AND MT-RJ TO MT-RJ CABLE ASSEMBLY (1).
3. 1278863-3 INCLUDES MT-RJ TO MT-RJ CABLE ASSEMBLY (2),
4. 1278863-4 INCLUDES MT-RJ ADAPTER (1), MT-RJ (SECURE HOUSING) TO SC SIMPLEX CABLE ASSEMBLY (2), MT-RJ (PINS) TO SC SIMPLEX CABLE ASSEMBLY (1), AND MT-RJ (SECURE HOUSING) TO MT-RJ CABLE ASSEMBLY (1).
5. 1278863-5 INCLUDES MT-RJ ADAPTER (1), MT-RJ (SECURE HOUSING) TO ST SIMPLEX CABLE ASSEMBLY (2), MT-RJ (PINS) TO ST SIMPLEX CABLE ASSEMBLY (1), AND MT-RJ (SECURE HOUSING) TO MT-RJ CABLE ASSEMBLY (1).
6. 1278863-6 INCLUDES MT-RJ (SECURE HOUSING) TO MT-RJ CABLE ASSEMBLY (2),

MT-RJ	1278863-6
ST SIMPLEX	1278863-5
SC SIMPLEX	1278863-4
MT-RJ	1278863-3
ST SIMPLEX	1278863-2
SC SIMPLEX	1278863-1
TEST EQUIPMENT CONNECTION	PART NUMBER

THIS DRAWING IS A CONTROLLED DOCUMENT FOR AMP INCORPORATED. IT IS SUBJECT TO CHANGE AND THE CONTROLLING ENGINEERING ORGANIZATION SHOULD BE CONTACTED FOR THE LATEST REVISION.		DWN D. PULEO 22SEP99 CHK R. GALLAGHER 22SEP99 APVD B. EDWARDS 22SEP99	AMP Incorporated Harrisburg, PA 17105-3608
DIMENSIONS: mm [INCHES]	TOLERANCES UNLESS OTHERWISE SPECIFIED: 0 PLC ±- 1 PLC ±- 2 PLC ±- 3 PLC ±- 4 PLC ±- ANGLES ±- FINISH -	PRODUCT SPEC - APPLICATION SPEC - WEIGHT -	NAME MT-RJ TEST CABLE KIT, SINGLEMODE SIZE A2 CAGE CODE 00779 DRAWING NO 1278863
MATERIAL -		CUSTOMER DRAWING	SCALE NTS SHEET 1 OF 1 REV C