

THIS DRAWING IS UNPUBLISHED.

RELEASED FOR PUBLICATION

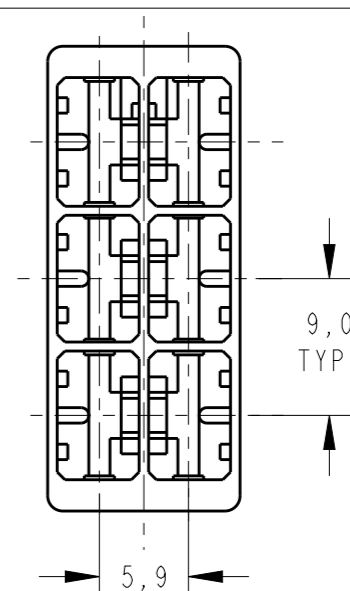
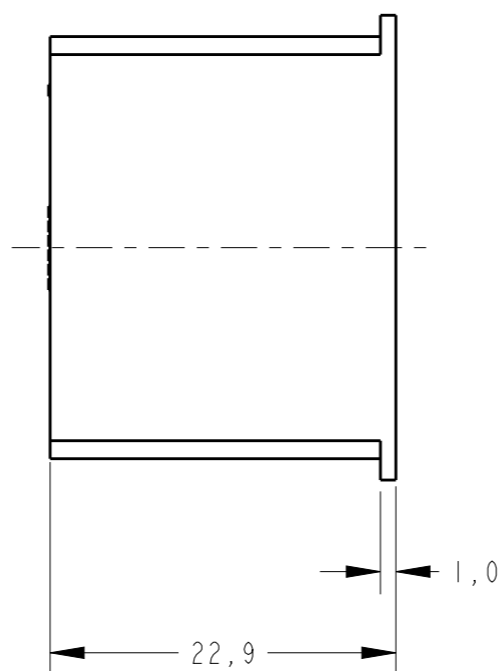
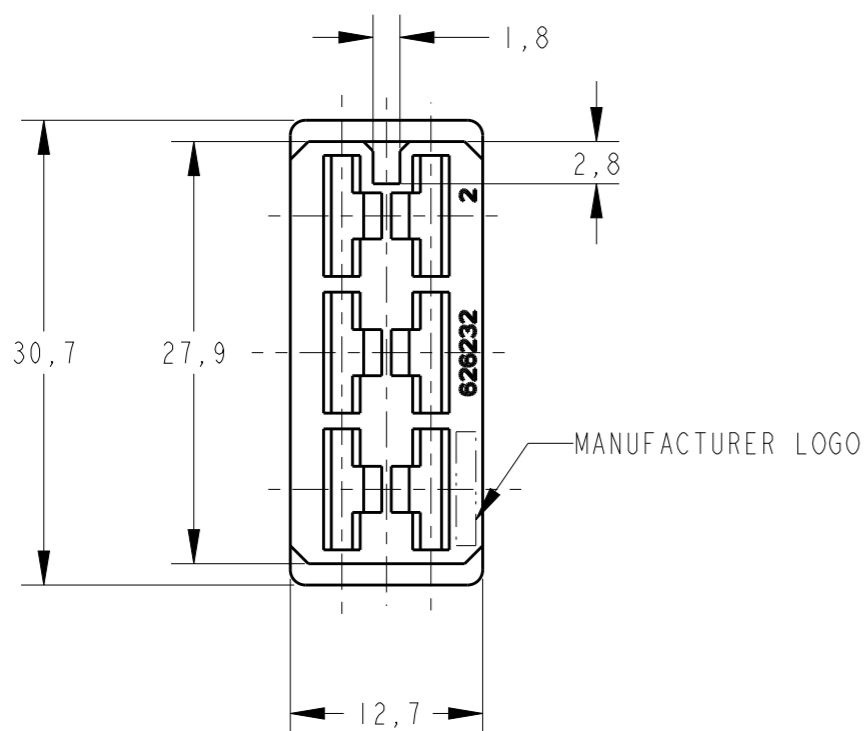
20

© COPYRIGHT 20 BY -

ALL RIGHTS RESERVED.

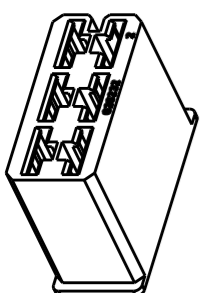
REVISIONS

P	LTR	DESCRIPTION	DATE	DWN	APVD
	C3	REDRAWN AND REVISED BY ECO-16-006712	10MAY2016	HC	WLS



1-WALL THICKNESS 0,8.
 2-INTERCHANGEABLE WITH PN-140884.

OBSOLETE	DYED BLUE	PA 6.6	1-626232-6
OBSOLETE	DYED GRAY	PA 6.6	1-626232-5
OBSOLETE	DYED BLACK	PA 6.6	1-626232-4
OBSOLETE	DYED YELLOW	PA 6.6	1-626232-3
OBSOLETE	DYED RED	PA 6.6	1-626232-2
OBSOLETE	DYED GREEN	PA 6.6	1-626232-1
OBSOLETE	WHITE	PA 6.6	1-616232-0
OBSOLETE	BROWN	PA 6.6	626232-9
OBSOLETE	ORANGE	PA 6.6	626232-8
OBSOLETE	VIOLET	PA 6.6	626232-7
OBSOLETE	BLUE	PA 6.6	626232-6
OBSOLETE	GRAY	PA 6.6	626232-5
OBSOLETE	BLACK	PA 6.6	626232-4
OBSOLETE	YELLOW	PA 6.6	626232-3
OBSOLETE	RED	PA 6.6	626232-2
OBSOLETE	GREEN	PA 6.6	626232-1
	NATURAL	PA 6.6	626232-0
NOTE	FINISH	MATERIAL	PART NUMBER



THIS DRAWING IS A CONTROLLED DOCUMENT.

DWN 09MAY2016 H.C.CANTER

CHK 12MAY2016 W.L.STEFANI

APVD -

PRODUCT SPEC -

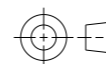
APPLICATION SPEC -

WEIGHT -

CUSTOMER DRAWING

DIMENSIONS:

mm



TOLERANCES UNLESS OTHERWISE SPECIFIED:

0 PLC	±0,3
1 PLC	±0,3
2 PLC	±0,3
3 PLC	±0,3
4 PLC	±0,3
ANGLES	±1°

MATERIAL -

FINISH -



TE Connectivity

NAME 6 CIRCUIT FAST-IN-ON REC.HSG.250S

SIZE A3 CAGE CODE - DRAWING NO C-626232 RESTRICTED TO -

SCALE 2:1 SHEET 1 OF 1 REV C3