

SAW Filter 875.0MHz
Part No: MP02647

Model: TA0908A
Rev No: 1

A. MAXIMUM RATING:

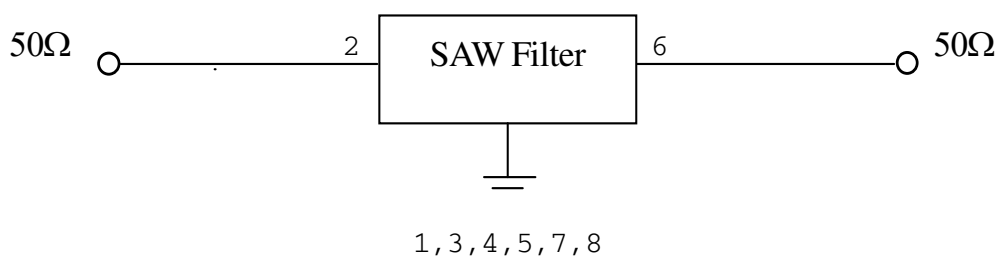
1. Input Power Level: 10dBm
2. DC Voltage: 3V
3. Operating Temperature: -20°C to +70°C
4. Storage Temperature: -30°C to +85°C

B. ELECTRICAL CHARACTERISTICS:

Item	Unit	Min.	Typ.	Max.	Note
Center Frequency Fc	MHz	-	875	-	-
Insertion loss (870 ~ 880MHz) IL	dB	-	2.8	4.2	-
Amplitude Ripple (870 ~ 880MHz)	dB	-	0.4	2	-
VSWR (870 ~ 880MHz)		-	1.5	2.3	-
Attenuation (Reference level from 0dB)					
0 ~ 840MHz	dB	35	55	-	-
910 ~ 1300MHz	dB	35	53	-	-

C. MEASUREMENT CIRCUIT:

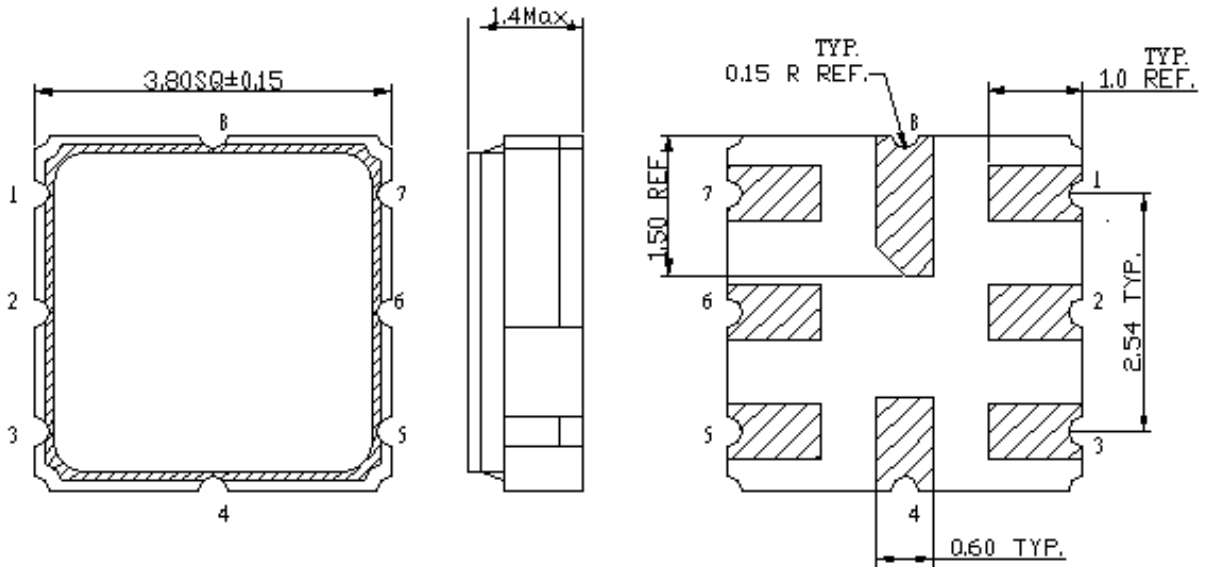
HP Network analyzer



SAW Filter 875.0MHz
Part No: MP02647

Model: TA0908A
Rev No: 1

D. OUTLINE DRAWING:



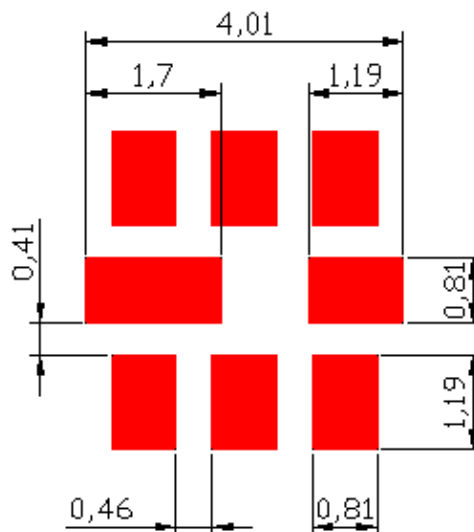
2: Input

6: Output

1, 3, 4, 5, 7, 8: Ground

Unit: mm

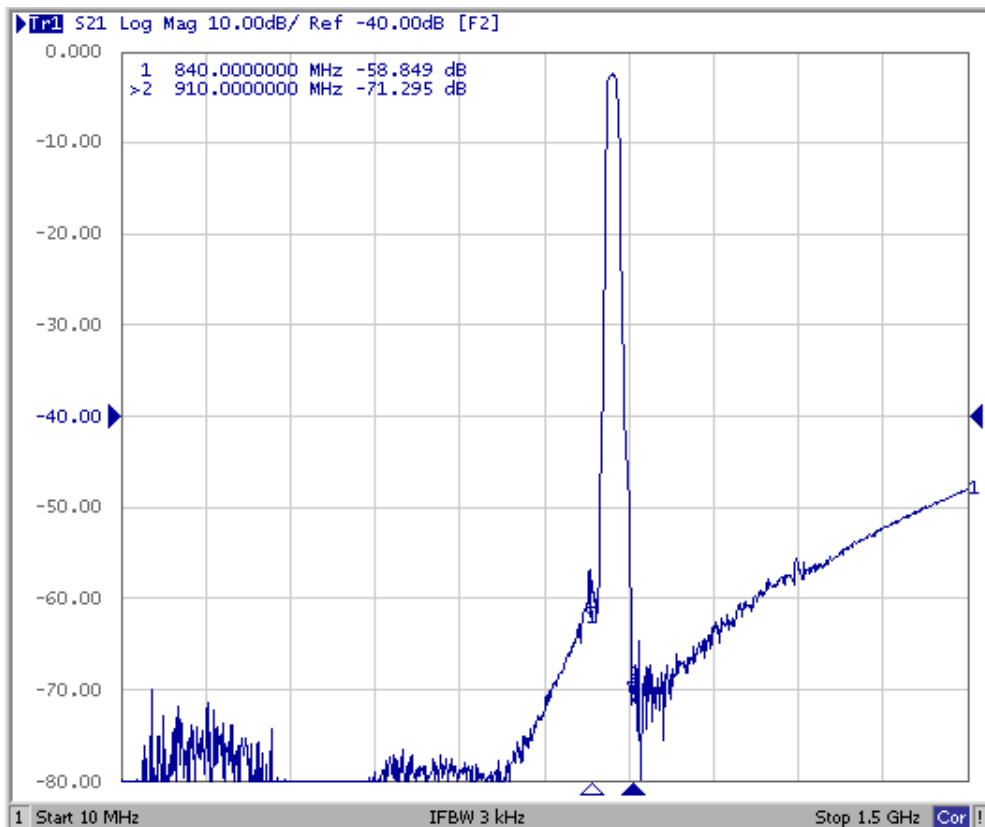
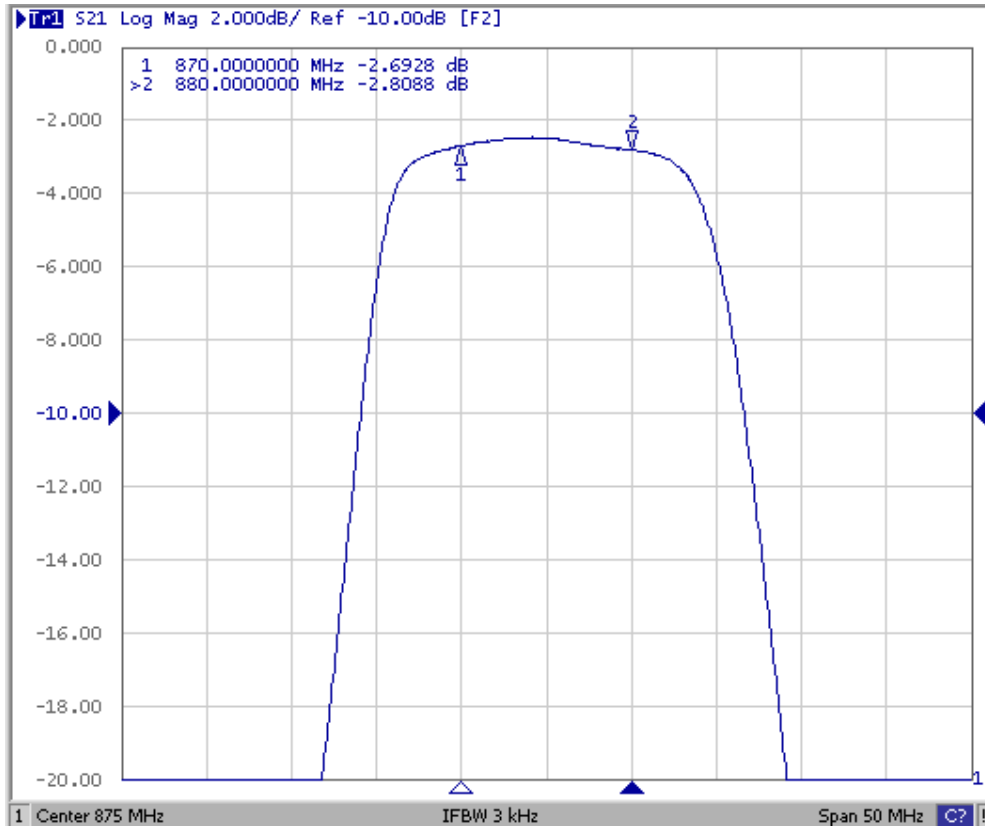
E. PCB FOOTPRINT:



SAW Filter 875.0MHz
Part No: MP02647

Model: TA0908A
Rev No: 1

F. FREQUENCY CHARACTERISTICS:

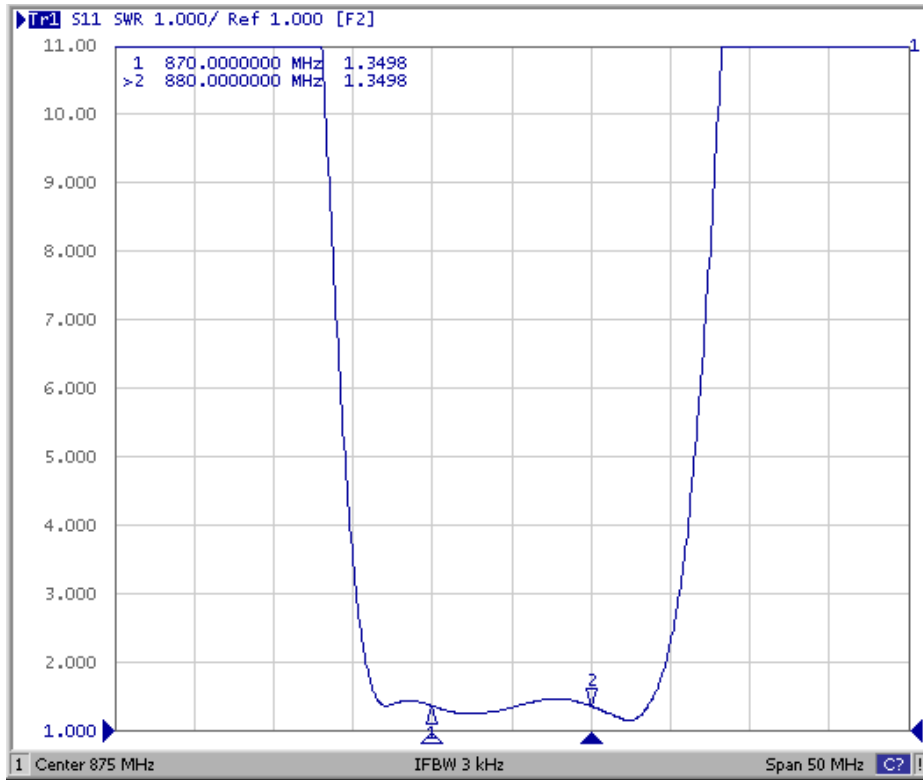


SAW Filter 875.0MHz
Part No: MP02647

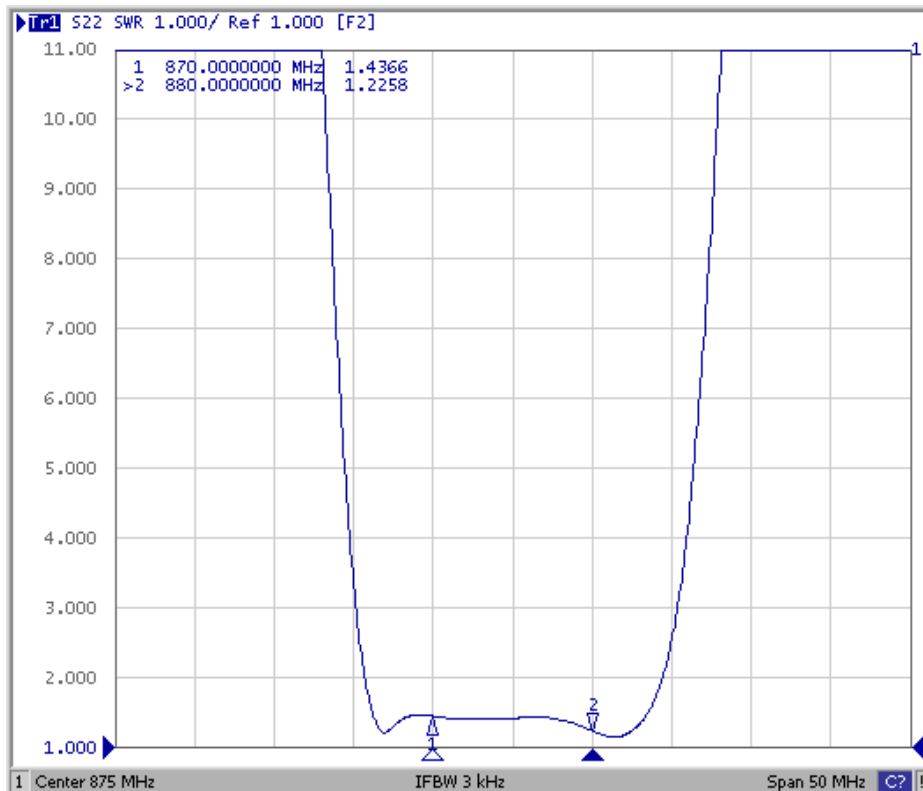
Model: TA0908A
Rev No: 1

Reflection Functions

S11



S22

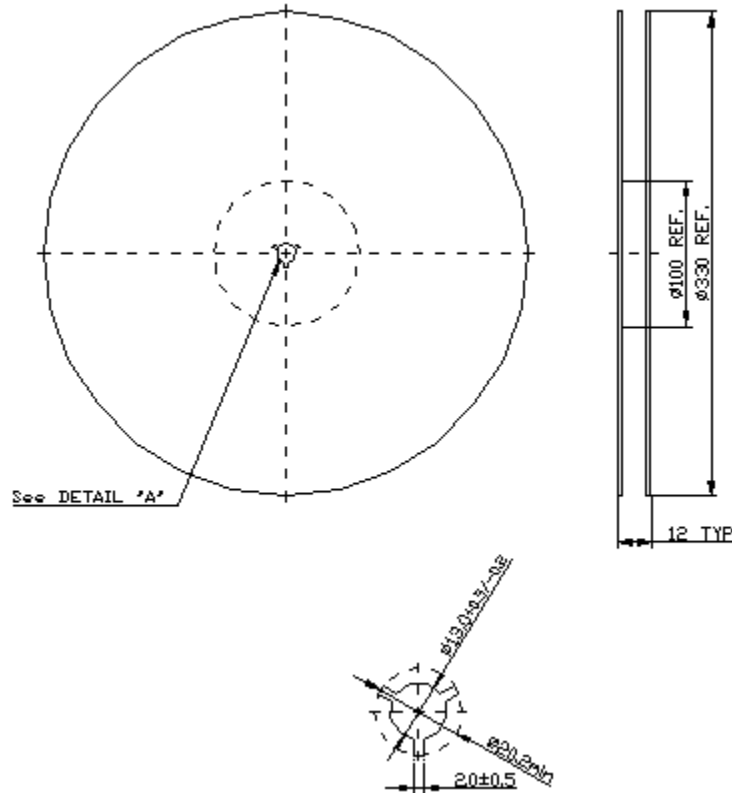


SAW Filter 875.0MHz
Part No: MP02647

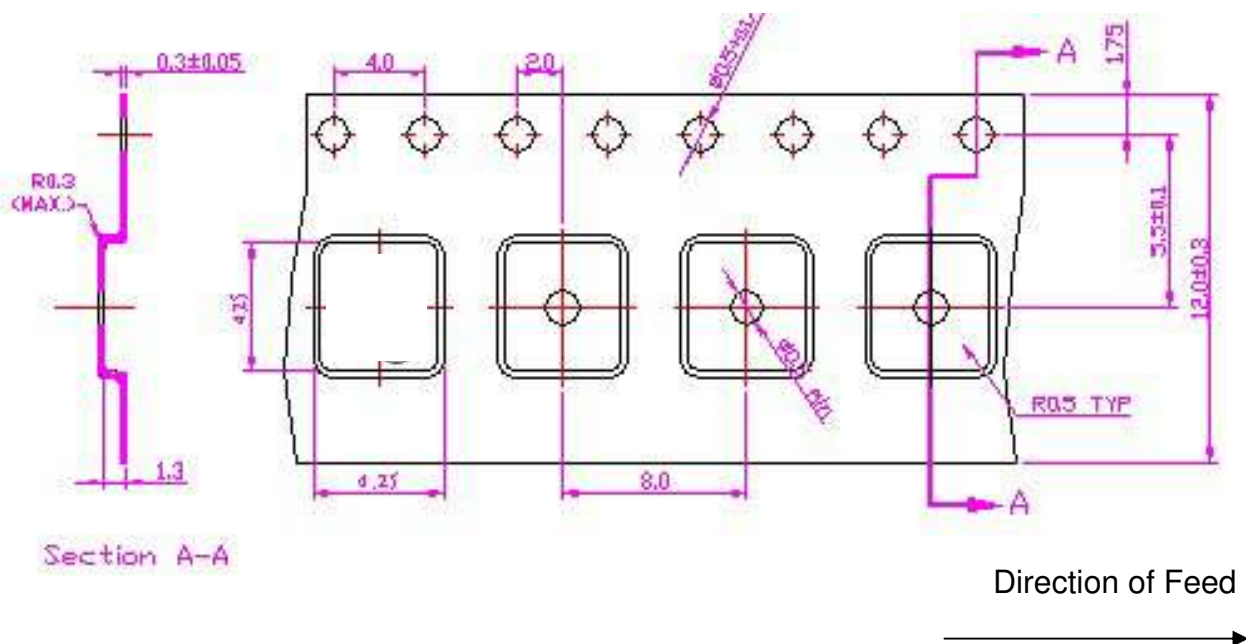
Model: TA0908A
Rev No: 1

G. PACKING:

1. Reel Dimension (Reel Count: 7" = 1000, 13" = 3000)



2. Tape Dimension



SAW Filter 875.0MHz
Part No: MP02647

Model: TA0908A
Rev No: 1

H. RECOMMENDED REFLOW PROFILE:

