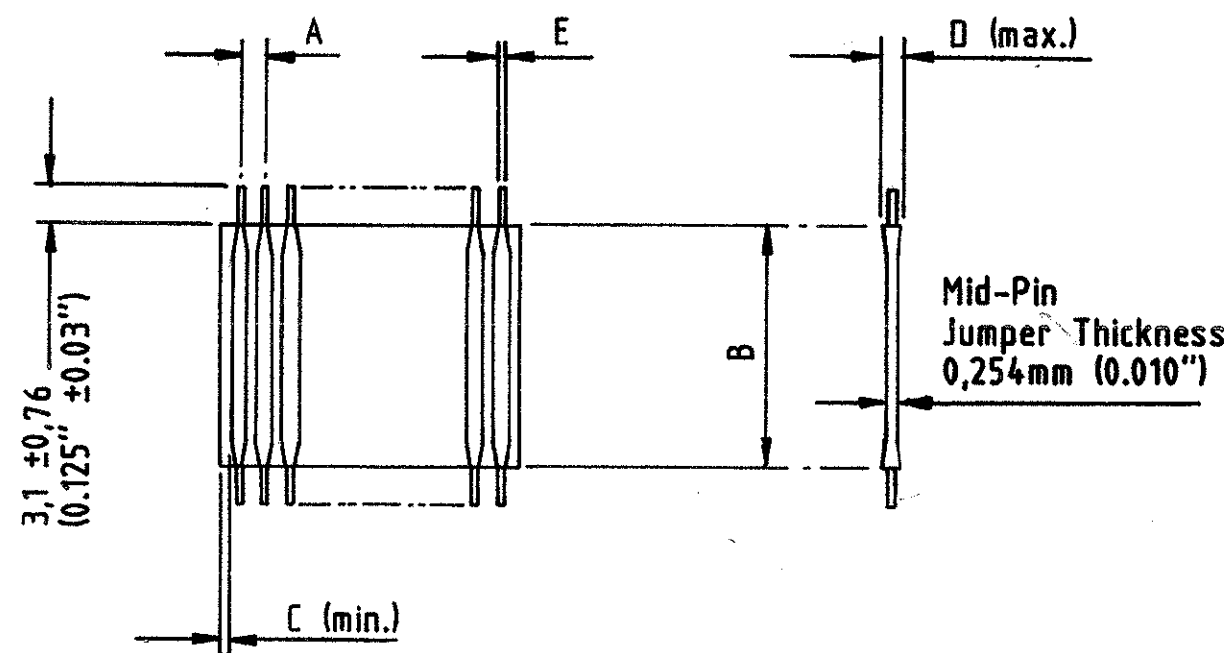




FLEXSTRIP\* JUMPERS

| † CONDUCTOR PITCH "A" | MARGIN C (min.) |         | THICKNESS D (MAX.) |         | PIN DIAMETER E ±0,025 (±.001") |         | NUMBER OF CONDUCTORS |        |        |
|-----------------------|-----------------|---------|--------------------|---------|--------------------------------|---------|----------------------|--------|--------|
|                       | mm              | (inch.) | mm                 | (inch.) | mm                             | (inch.) | min.                 | max.   |        |
| 1                     | 1,27            | .050"   | 0,25               | .010"   | 0,64                           | .025"   | 0,320                | .0126" | 2 - 30 |
| 6                     | 1,90            | .075"   | 0,38               | .015"   | 0,84                           | .033"   | 0,404                | .0159" | 2 - 30 |
| 2                     | 2,54            | .100"   | 0,51               | .020"   | 0,84                           | .033"   | 0,511                | .0201" | 2 - 30 |
| 3                     | 3,18            | .125"   | 1,52               | .060"   | 0,84                           | .033"   | 0,511                | .0201" | 2 - 25 |
| 4                     | 3,81            | .150"   | 1,52               | .060"   | 0,84                           | .033"   | 0,511                | .0201" | 2 - 20 |
| 5                     | 5,08            | .200"   | 1,52               | .060"   | 0,84                           | .033"   | 0,511                | .0201" | 2 - 15 |

2/86



Dimensions are shown in mm (inches.)  
† Tolerance on Pitch ±0,25 (0.01") non-cumulative.

| INSULATION LENGTH<br>B ±1.57 (±0.062") |        |           |
|--|--------|-----------|
| mm                                     | (inch) | Cat. Ref. |
| 25.4                                   | 1      | 1         |
| 38.1                                   | 1½     | 1.5       |
| 50.8                                   | 2      | 2         |
| 63.5                                   | 2½     | 2.5       |
| 76.2                                   | 3      | 3         |
| 88.9                                   | 3½     | 3.5       |
| 101.6                                  | 4      | 4         |
| 114.3                                  | 4½     | 4.5       |
| 127                                    | 5      | 5         |
| 139.7                                  | 5½     | 5.5       |
| 152.4                                  | 6      | 6         |

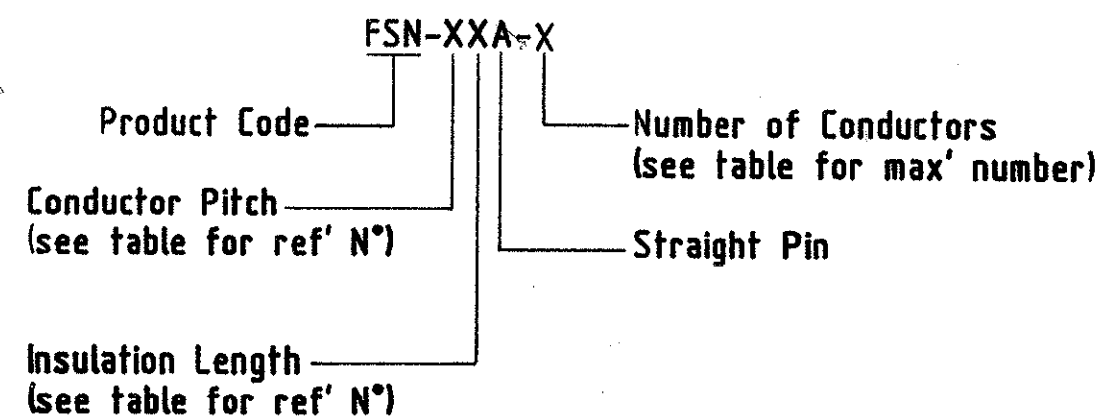
PROPERTIES :-

Insulation Material - Nomex#  
Temperature Rating - 105°C  
Current Rating - 2 amps  
U.L. Style Number - 5188

NOTES:-

\* Trademark of Thomas & Betts Corporation  
\* Registered trademark of E.I. Du Pont de Nemours

CATALOGUE NUMBERING SYSTEM



EXAMPLE:-

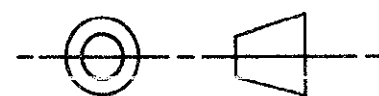
FSN -22A - 15

FSN - Flexstrip Jumper With Nomex insulation  
2 - Conductor Pitch 2.54 (0.100)  
2 - Insulation Length 50.8 (2)  
A - Straight Pin  
15 - Number of Conductors 15

T&B THOMAS & BETTS INTERNATIONAL  
EUROPEAN ENGINEERING DIVISION

DRG. N°  
3S-10018

IMPERIAL DIMENSIONS SHOWN THUS [ ]  
TOLERANCES  
0000 EQUALS ±.0002  
000 EQUALS ±.003  
00 EQUALS ±.015



THIRD ANGLE PROJECTION

| REV | DESCRIPTION | DATE | BY | MATERIAL   | PART NAME                             |
|-----|-------------|------|----|------------|---------------------------------------|
| 0   |             |      |    | HEAT TREAT | PRODUCT CODE                          |
|     |             |      |    | FINISH     | TOLERANCES UNLESS OTHERWISE SPECIFIED |
|     |             |      |    | SCALE      |                                       |
|     |             |      |    | DR.        | FSN-24A-4                             |
|     |             |      |    | CH.        |                                       |
|     |             |      |    | APP.       |                                       |
|     |             |      |    |            | tyco 8-1437145-1                      |
|     |             |      |    |            | Electronics REV 0 SHT 2 OF 1          |