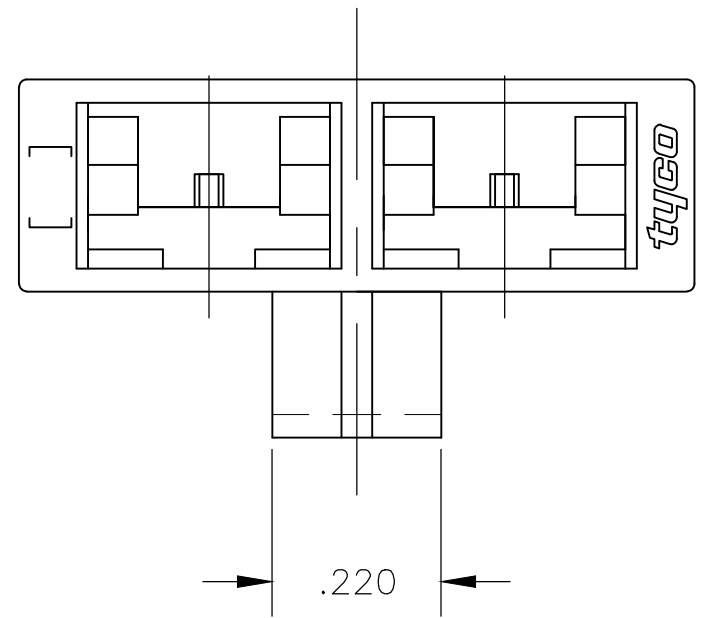
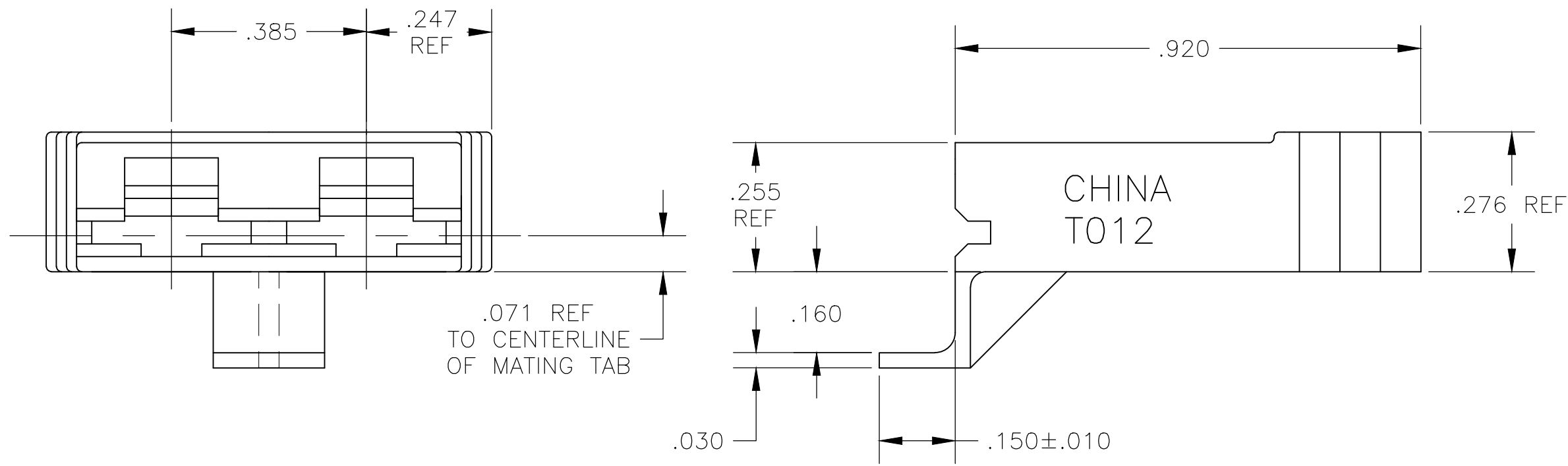
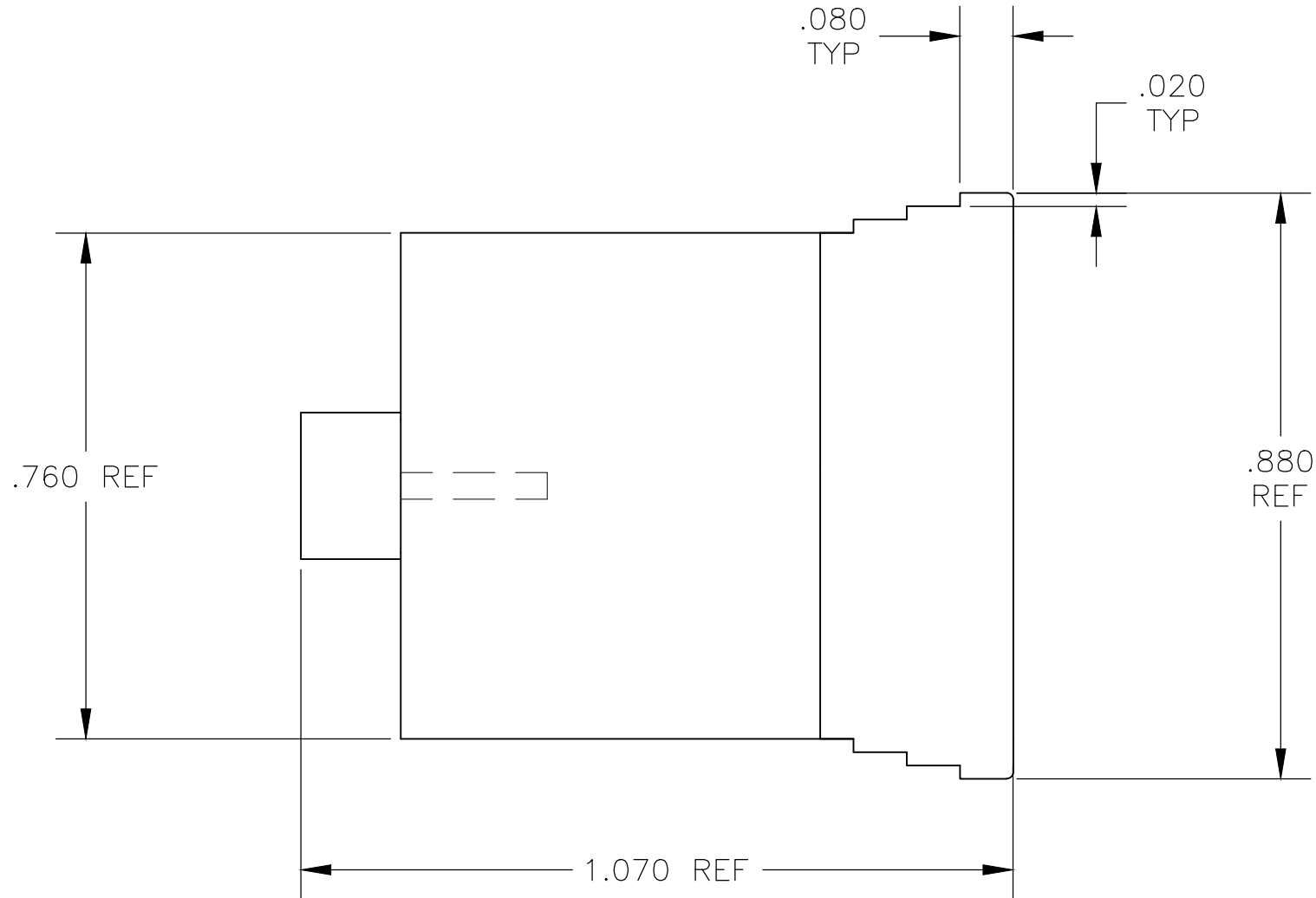


THIS DRAWING IS UNPUBLISHED. RELEASED FOR PUBLICATION
 © COPYRIGHT - TE Connectivity Ltd. ALL RIGHTS RESERVED.

REVISIONS				
P	LTR	DESCRIPTION	DATE	APVD
J3		REVISED PER ECR-19-006362	02MAY2019	BDA DS

1 PARTS MAY APPEAR MEDIUM COLORED TO LIGHT COLORED AND EXHIBIT A MARBLING EFFECT.



SUPERSEDED BY 521702-2	NYLON 66, V0, GWT, BLACK, 130° MAX	521702-2
	66 NYLON, V0, 125° MAX	521702-1
	MATERIAL	PART NO

THIS DRAWING IS A CONTROLLED DOCUMENT.		DWN JR RUTH 26NOV03	TE Connectivity Ltd.	
DIMENSIONS: INCHES		CHK P DESANTIS 15DEC03		
TOLERANCES UNLESS OTHERWISE SPECIFIED:		APVD P DESANTIS 27NOV03	NAME HOUSING, RECEPTACLE, FASTON, .250 SERIES	
0 PLC ± - 1 PLC ± - 2 PLC ± - 3 PLC ± .010 4 PLC ± - ANGLES ± 1°		PRODUCT SPEC -	SIZE A2	
MATERIAL SEE TABLE		APPLICATION SPEC -	CAGE CODE 00779	DRAWING NO C-521702
FINISH BLACK		WEIGHT	RESTRICTED TO -	SCALE 4:1
		CUSTOMER DRAWING	SHEET 1 of 1	REV J3