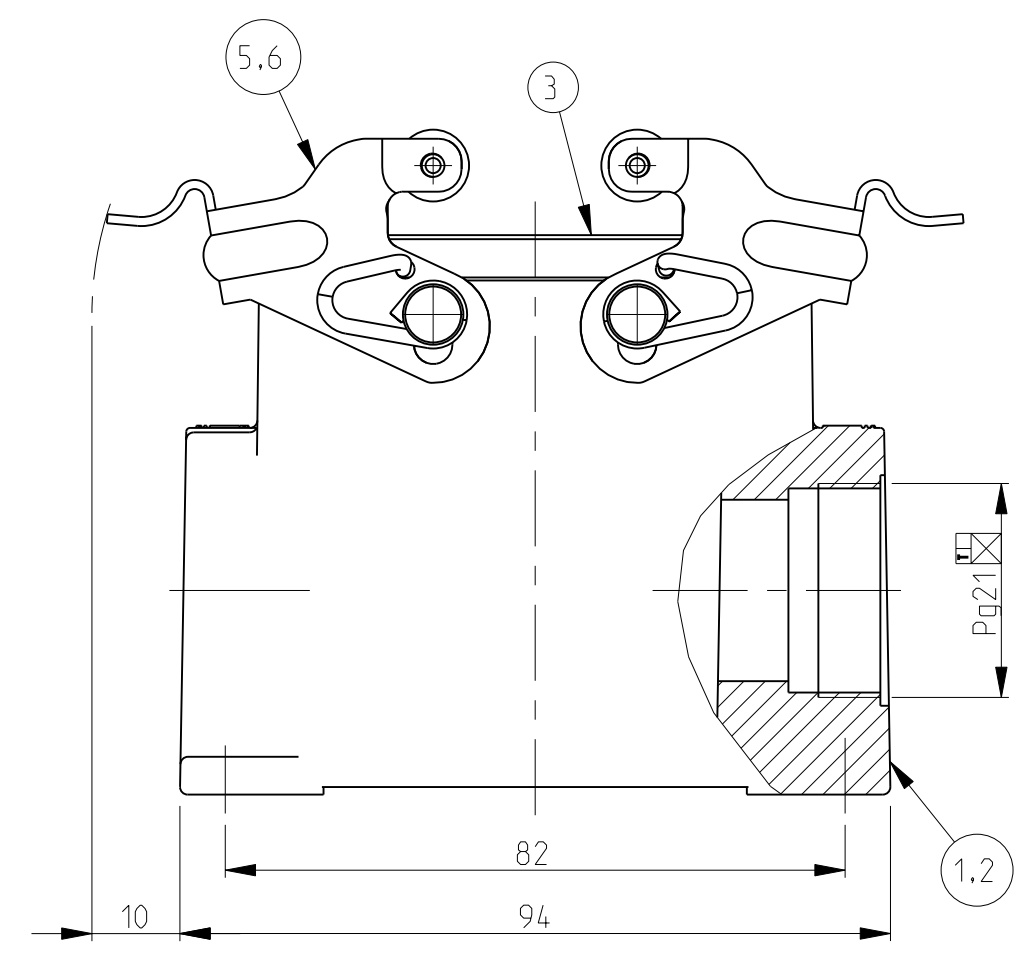
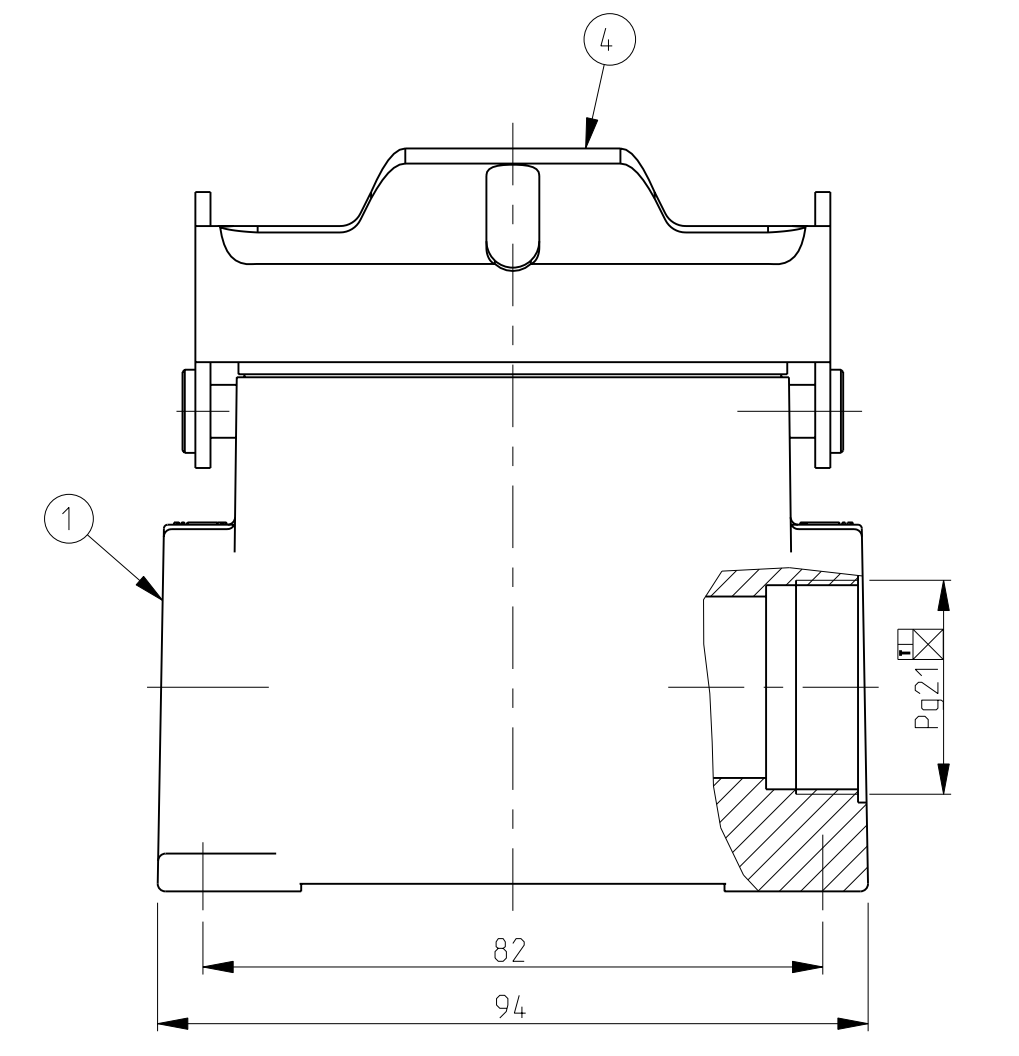
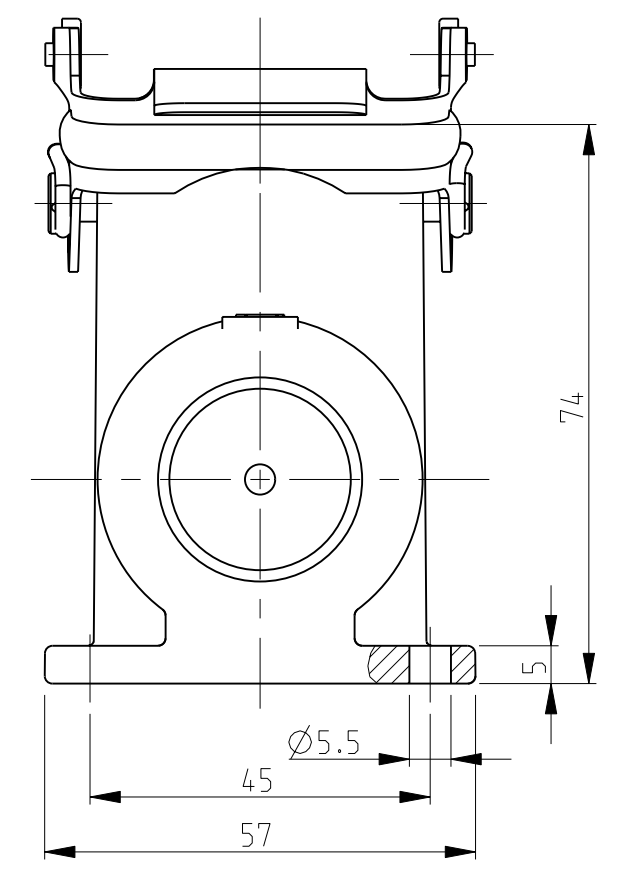


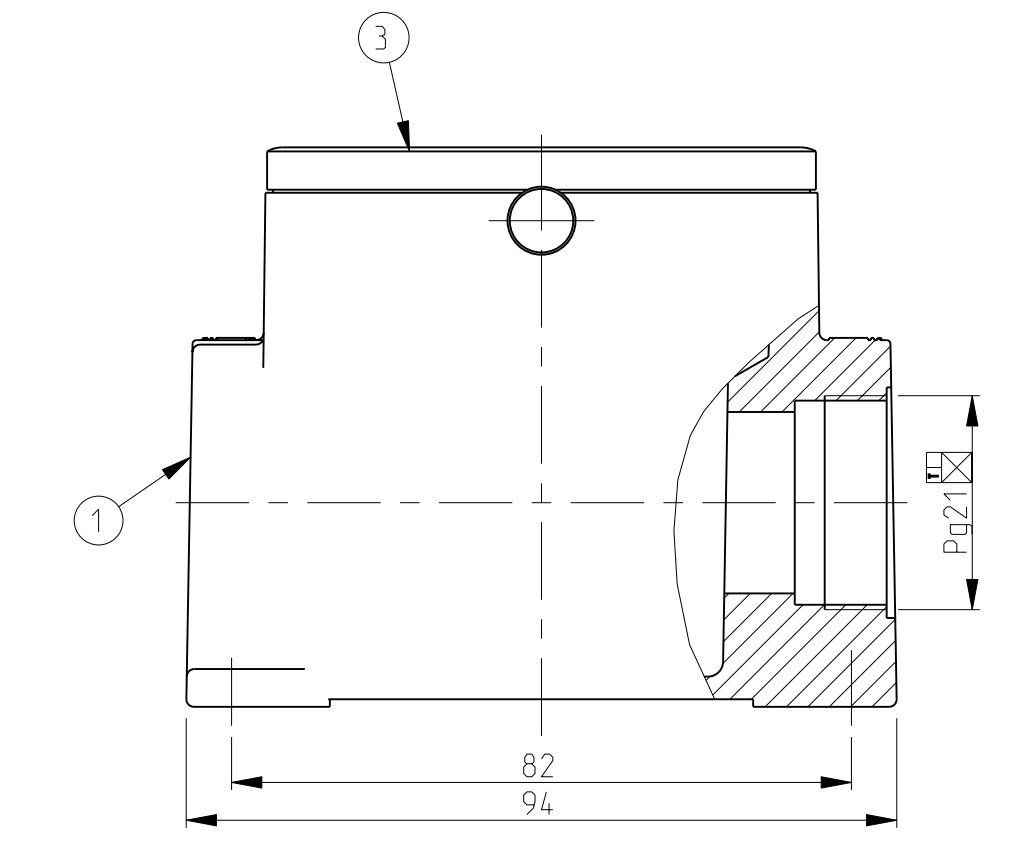
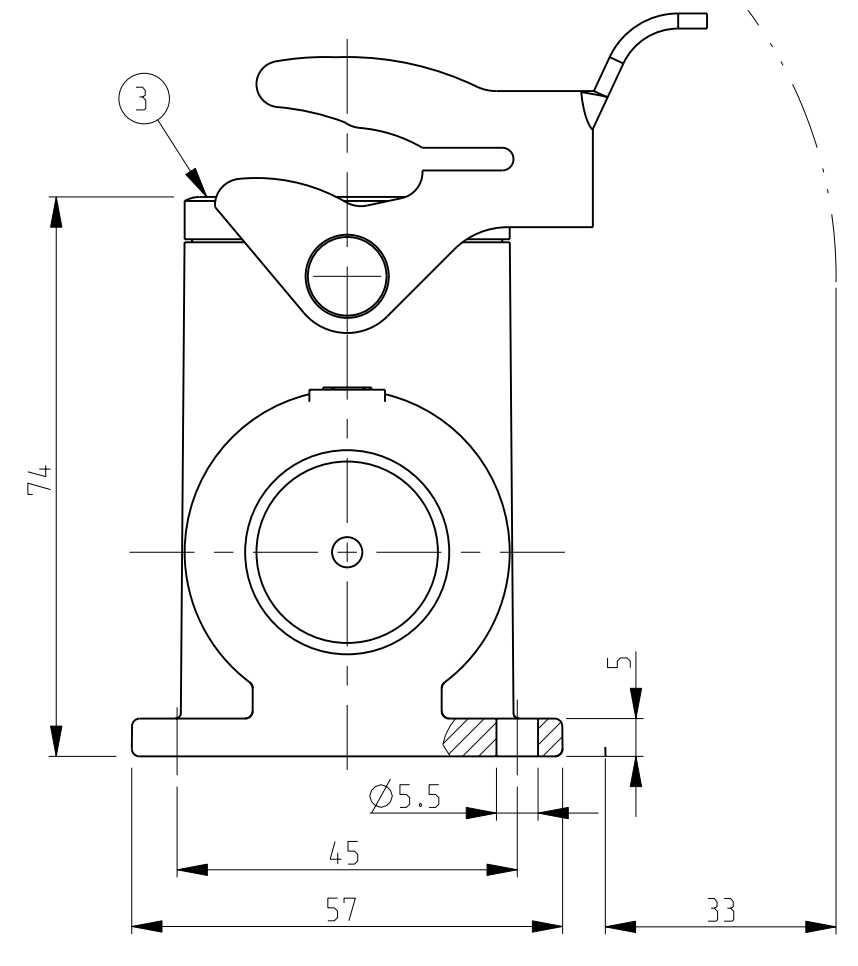
LOC	DIST	REVISIONS			
P	LTR	DESCRIPTION	DATE	DWN	APVD
A3		ECR-16-015318	20SEP2017	GR	MKO
A4		REVISED PER ECR-16-016768	24JAN2018	SRG	MKO



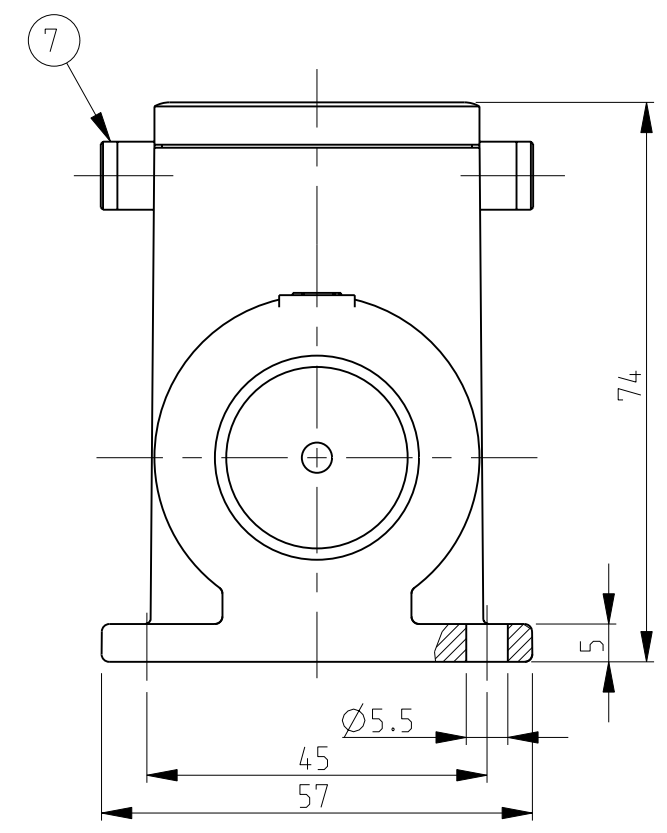
PN 1-1 & 2-1



PN 1-2

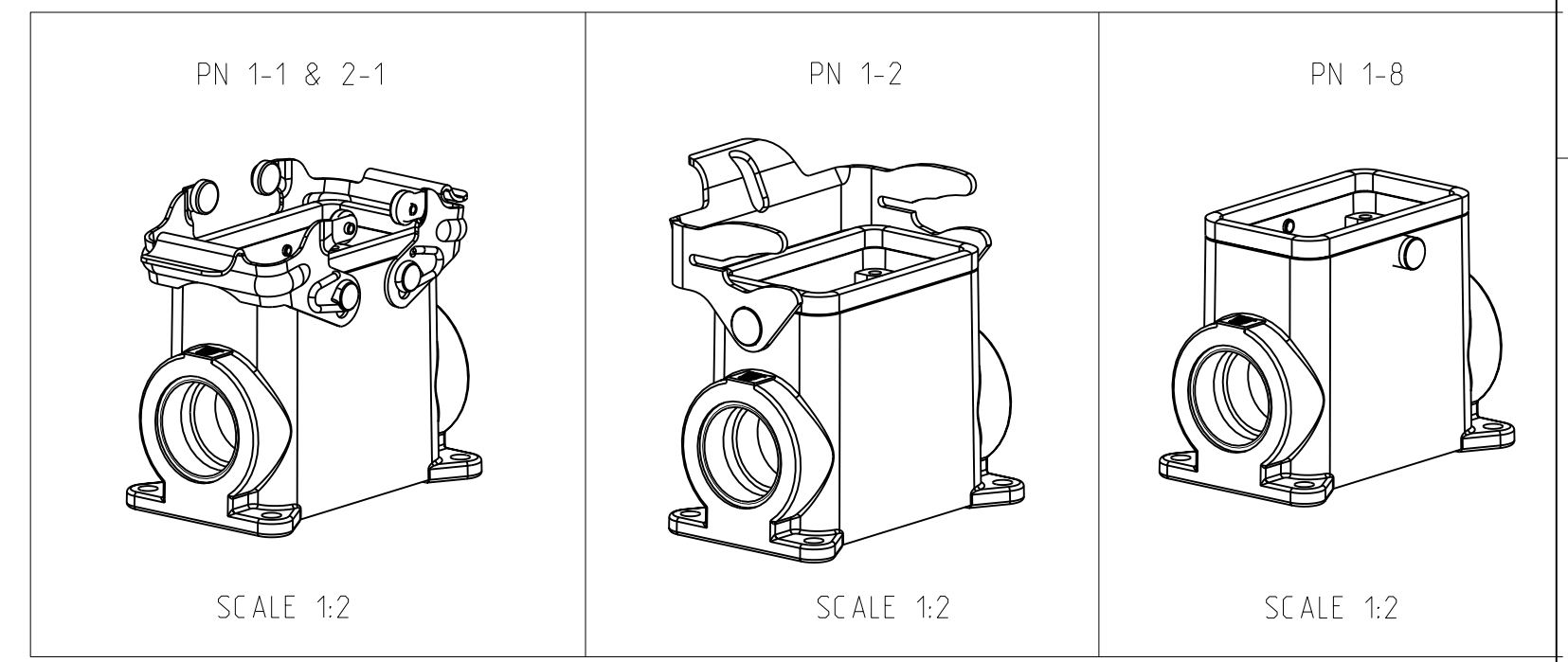


PN 1-8



NOTES.

- Material:Housing:Aluminium Diecasting Alloy
Seals:Neoprene
- Surface:Varnish grey
-Aluminium Oxide +Varnish Black
- Varnish on the inside not necessary
- Packaging
Quantity 5 Pieces in a box



OBSOLETE						
QTY	DESCRIPTION	MATERIAL	SURFACE	COLOR	ITEM NO	REMARKS
2	ZB-Clip bolt	Steel	Zinc plated	Blue	7	
2	VS-Clip positioner	Stainless steel	Blank	Blue	6	
2	VS-Clip positioner	Steel	Zinc plated	Blue	5	
1	LB-Side clip	Steel	Zinc plated	Blue	4	
1	Profile seal	Neoprene		Black	3	
1	Surface mounted housing side entry HD-K	Aluminium	Aluminium oxide	Black	2	
1	Surface mounted housing side entry HD-K	Aluminium		Grey	1	

ORDERING TEXT
 HD-24-SG-VS-1.21.Z
 HD-K-24-SG-VS-1.21.Z
 HD-24-SG-LB-1.21.Z
 HD-Z-24-SG-ZVGR-1.21.Z

DIMENSIONS:		TOLERANCES UNLESS OTHERWISE SPECIFIED:		DWN		21.08.03		TE Connectivity	
mm		0.10		Schneider		21.08.03			
MATERIAL		FINISH		CHK		Schweiger		NAME	
				APVD				Surface mounted housing side entry HD.24.SG With 1x21.Z	
				PRODUCT SPEC				SIZE	
				APPLICATION SPEC				CAGE CODE	
				WEIGHT				DRAWING NO	
				CUSTOMER DRAWING				RESTRICTED TO	
				SCALE		1:1		SHEET 1 OF 1	
				REV		A4			