

4

3

2

1

THIS DRAWING IS UNPUBLISHED.

RELEASED FOR PUBLICATION

© COPYRIGHT

BY TYCO ELECTRONICS CORPORATION.

ALL RIGHTS RESERVED.

LOC
J

DIST

REVISIONS

変更

DESCRIPTION

DATE

DWN

APVD

P

LTR

B REVISED

19NOV2008

M.K

T.Y

D

D

C

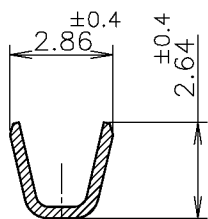
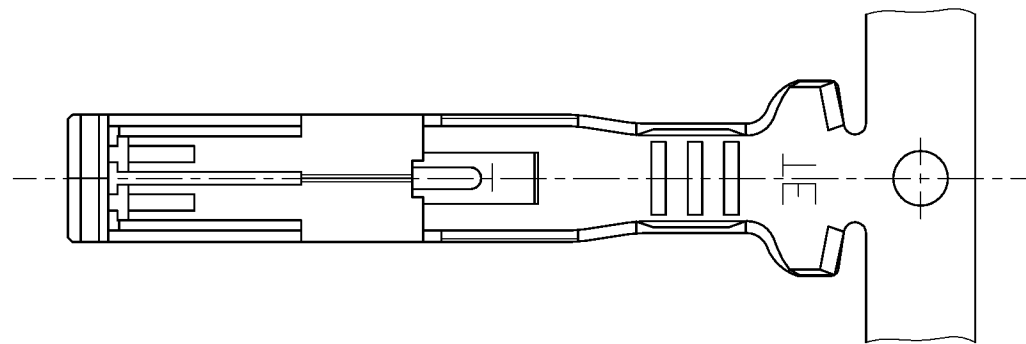
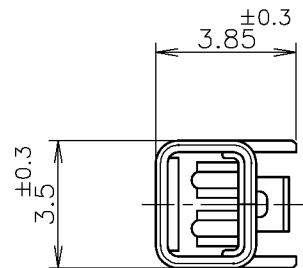
C

B

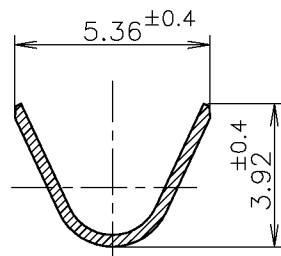
B

A

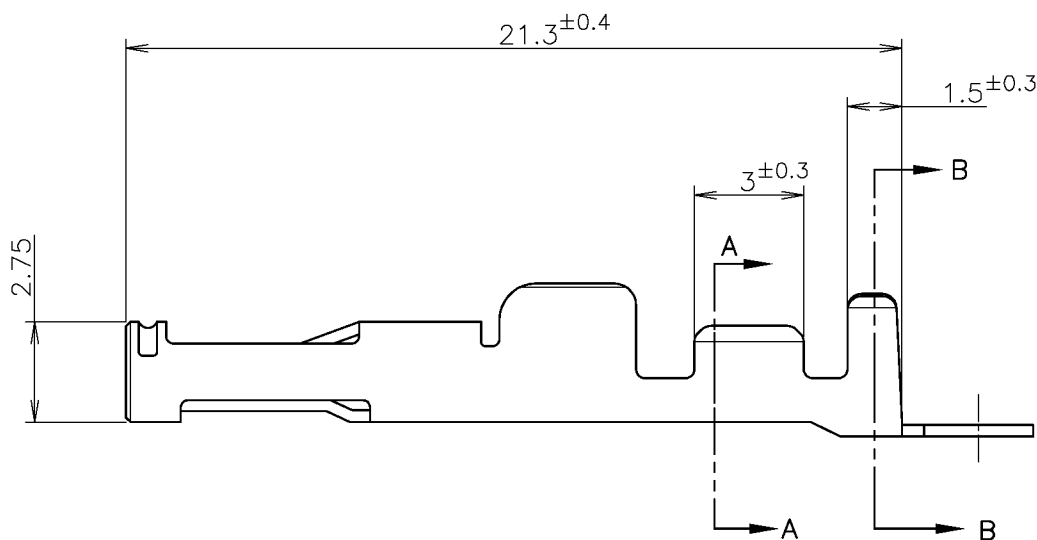
A



SECT. A-A



SECT. B-B



注記;
 △ 材料: 銅合金
 △ 仕上げ: 材料めっき
 全面ニッケル下地めっきの上に
 接触部: 金めっき
 圧着部: 錫めっき
 △ 仕上げ: 全面錫めっき
 4 使用コネクタ型番: X-1981377-X
 △ 一般公差
 10以下: ±0.2
 10を越え30以下: ±0.25
 30を越え100以下: ±0.3
 角度: ±3°

NOTES;
 △ MATERIAL: COPPER ALLOY
 △ FINISH: PRE-PLATED
 NICKEL PL ALL OVER
 CONTACT AREA: GOLD PL.
 BARREL AREA: TIN-LEAD PL.
 △ FINISH: TIN PL ALL OVER.
 4 USED CONNECTOR P/N: X-1981377-X
 △ GENERAL TOLERANCE
 10 ≥ : ±0.2
 30 ≥ 10 : ±0.25
 100 ≥ 30 : ±0.3
 ANGLES: ±3°

| | |
|---------------|-------------|
| △ | 1-1981378-1 |
| △ | 1981378-1 |
| 仕上げ FINISH | P/N |

| | | | |
|-----------------------|-------------------------------------|------------------------|---------------|
| WIRE RANGE 包合電線断面積 | 0.52~1.38mm ² (AWG20~16) | INSULATION DIA 被覆外径 | φ1.82~3.21 mm |
|-----------------------|-------------------------------------|------------------------|---------------|

| | | | | |
|---|--|--|---|--------------------|
| THIS DRAWING IS A CONTROLLED DOCUMENT. | | DWN M.KATO 17APR2008 | Tyco Electronics AMP K.K. Kawasaki, Japan | |
| DIMENSIONS: 単位: 耗 mm | | CHK T.YAMADA 17APR2008 | RECEPTACLE CONTACT HYBRID MINI CT DRAWER POWER CONTACT | |
| TOLERANCES UNLESS OTHERWISE SPECIFIED: 一般公差 | | APVD T.YAMADA 17APR2008 | NAME 名称 | RESTRICTED TO |
| 0 PLC ± 1 PLC ± 2 PLC ± 3 PLC ± 4 PLC ± ANGLES ± | | PRODUCT SPEC 製品規格 108-78473 | DRAWING NO 番号 C-1981378 | |
| MATERIAL 材料 1 | | APPLICATION SPEC 取付適用規格 114-5427 | SIZE A3 | CAGE CODE 00779 |
| FINISH 仕上 2 3 | | WEIGHT | SCALE 尺度 5:1 | |
| CUSTOMER DRAWING | | SHEET 1 OF 1 | | REV B |