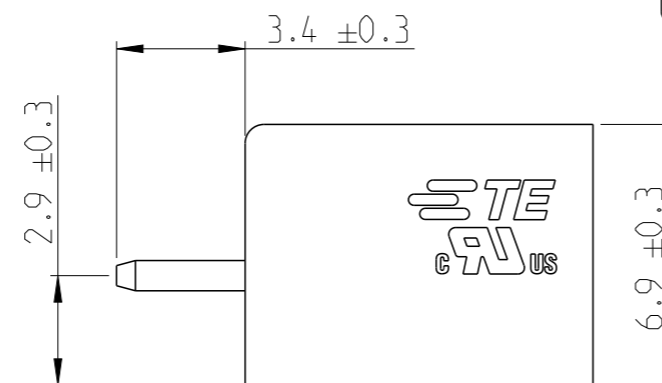
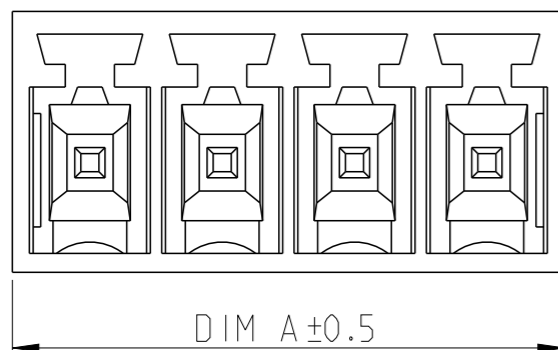
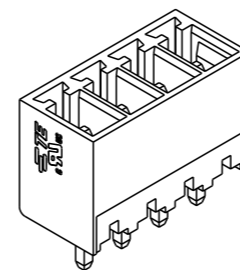


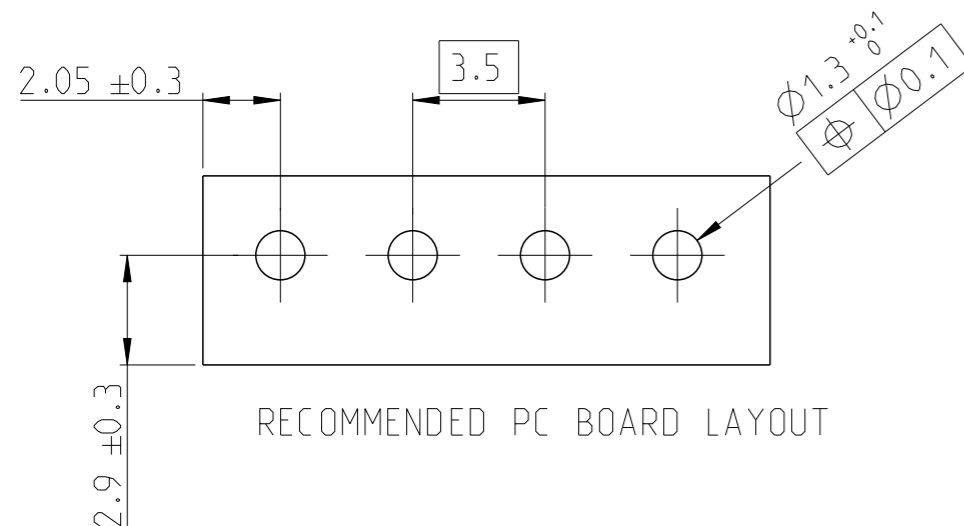
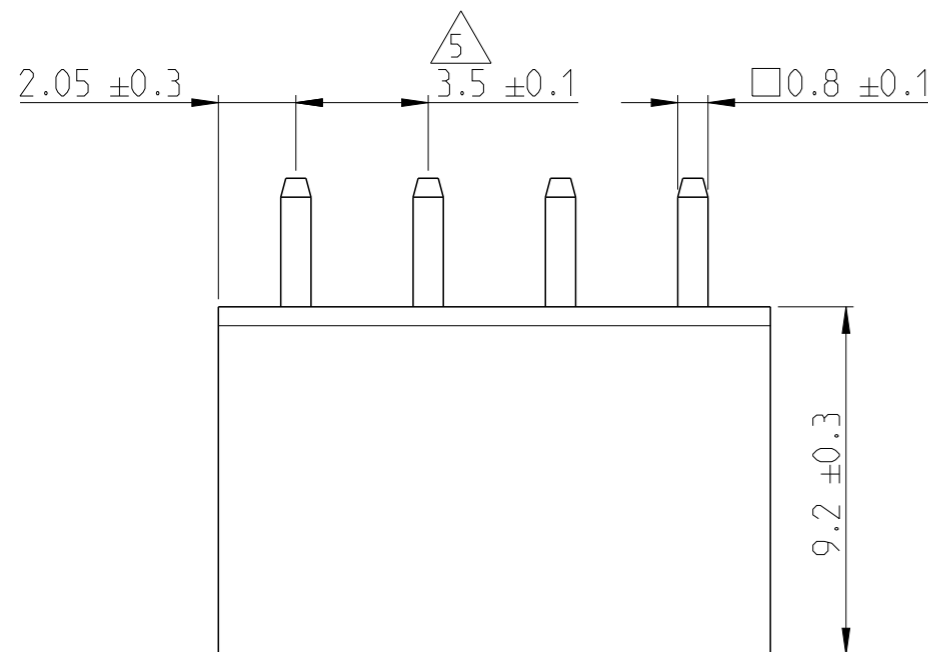
P	LTR	DESCRIPTION	DATE	DWN	APVD
	A	RELEASED FOR PRODUCTION	06AUG2019	RK	PS

2:1



NOTES:

- MATERIAL AND FINISH:  
HOUSING : POLYAMIDE 66, UL94V-0, COLOR GREEN.  
TERMINAL : COPPER ALLOY, TIN PLATED.
  - MECHANICAL  
MIN. PC BOARD HOLES DIAMETER : 1.3 mm
  - ELECTRICAL  
RATED VOLTAGE : 150 V  
RATED CURRENT : 12 A  
INSULATION RESISTANCE : >2000 M Ohm (500V DC)
  - OPERATING TEMPERATURE RANGE: -40°C TO +105°C
- △ NOT CUMULATIVE TOLERANCE.



56.6	16	1-2351886-6
53.1	15	1-2351886-5
49.6	14	1-2351886-4
46.1	13	1-2351886-3
42.6	12	1-2351886-2
39.1	11	1-2351886-1
35.6	10	1-2351886-0
32.1	9	2351886-9
28.6	8	2351886-8
25.1	7	2351886-7
21.6	6	2351886-6
18.1	5	2351886-5
14.6	4	2351886-4
11.1	3	2351886-3
7.6	2	2351886-2
DIM A	NO. OF POS	PART NUMBER

THIS DRAWING IS A CONTROLLED DOCUMENT.		DWN 06-Aug-19 RAGHAVENDRA.K	TE Connectivity		
DIMENSIONS: mm		CHK 01JUL2019 KARTHIK.JK			
TOLERANCES UNLESS OTHERWISE SPECIFIED:		APVD 02JUL2019 PRASHANTH.S	NAME HEADER 180 DEG. 3.5MM PITCH TAIL LENGTH 3.4mm		
		PRODUCT SPEC	-		
0 PLC ± 1 PLC ±0.3 2 PLC ±0.25 3 PLC ± 4 PLC ± ANGLES ±		APPLICATION SPEC	-		
MATERIAL SEE NOTES		WEIGHT	SIZE A3	CAGE CODE 00779	DRAWING NO C-2351886
FINISH SEE NOTES		CUSTOMER DRAWING	SCALE 5:1	SHEET 1 OF 1	RESTRICTED TO -