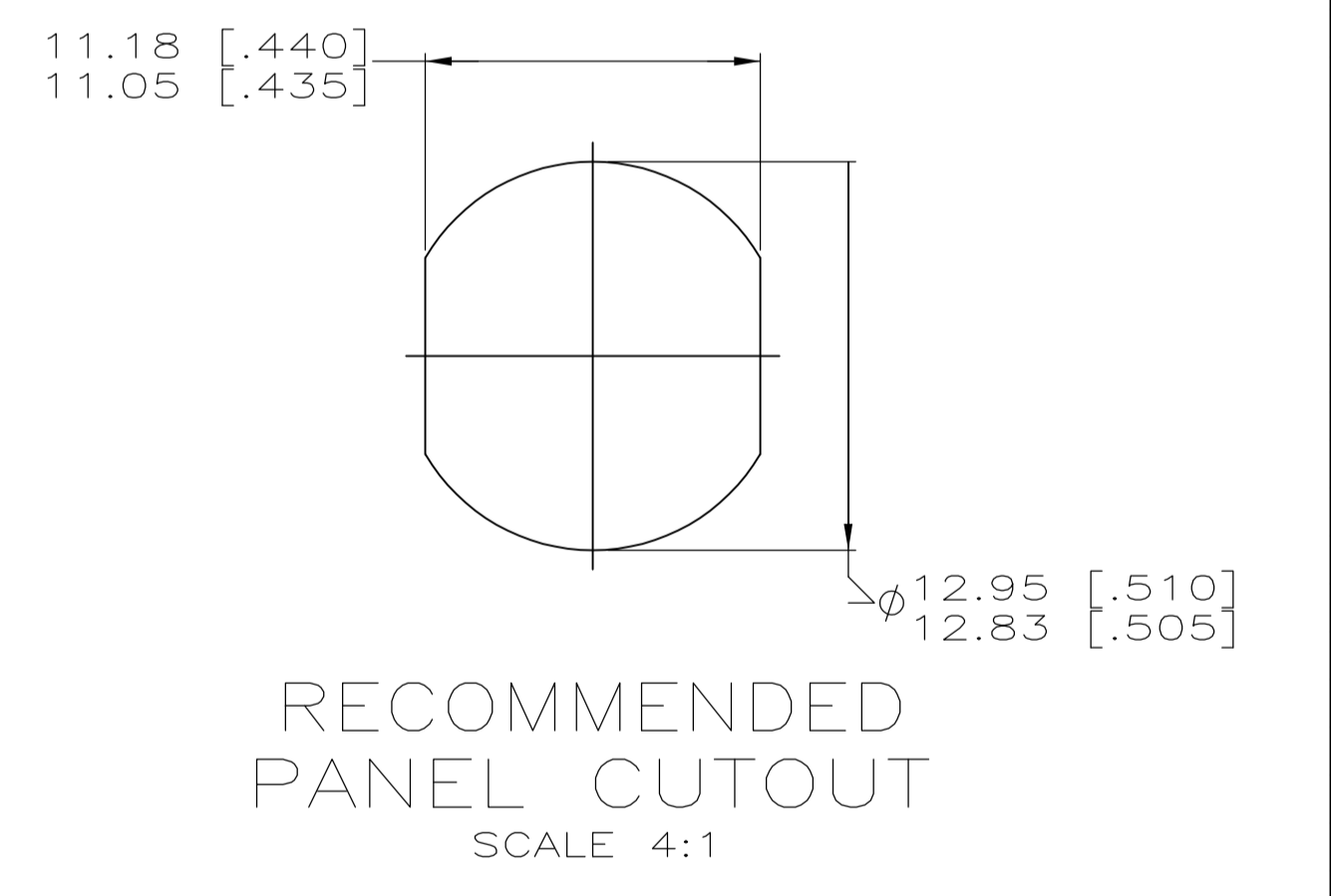
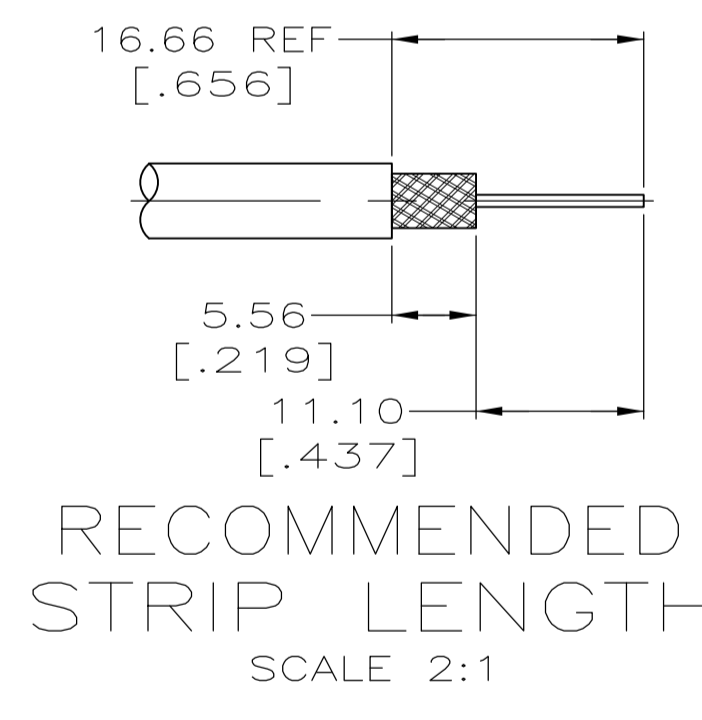
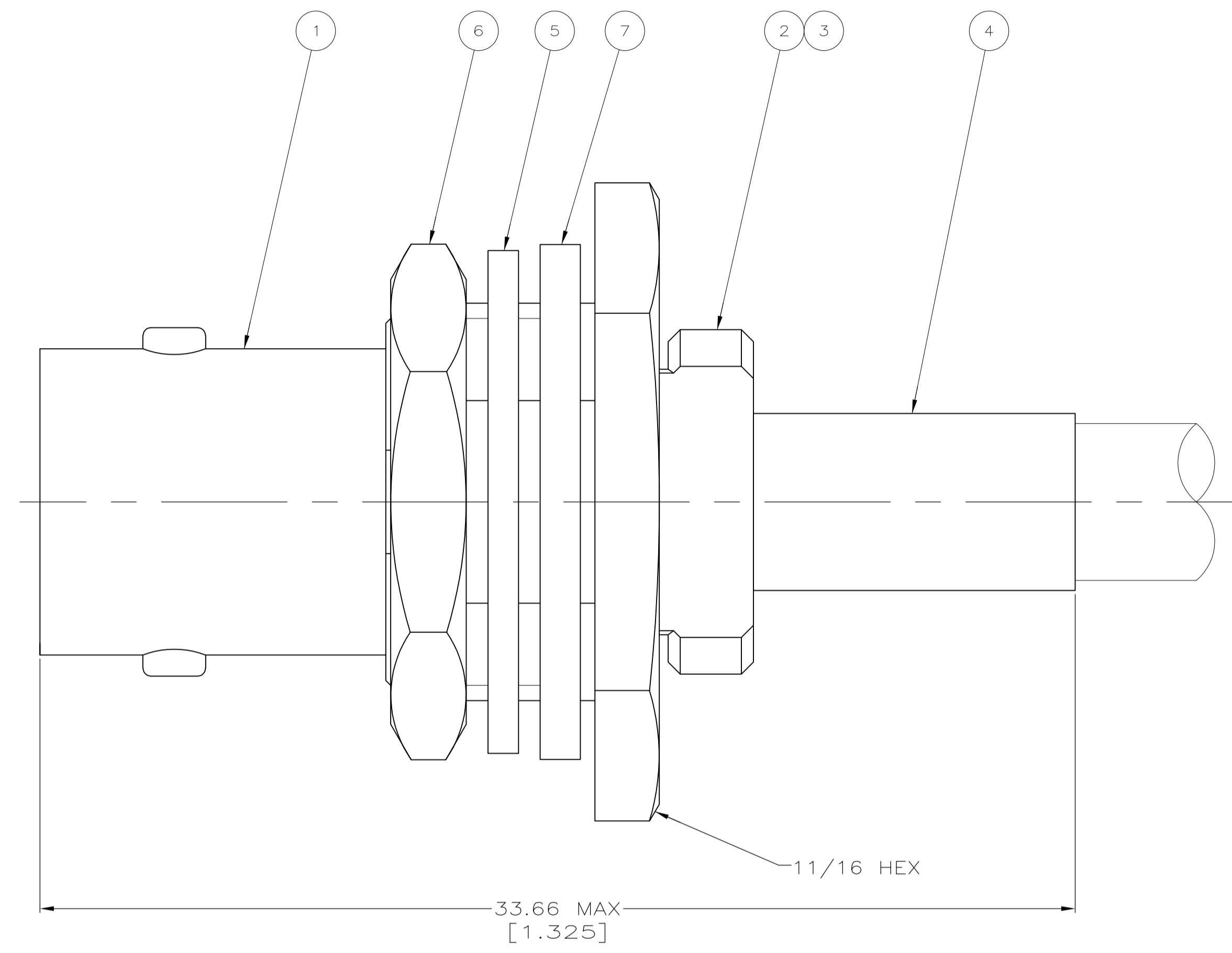


REVISIONS					
P	LTR	DESCRIPTION	DATE	DMN	APVD
S		REV PER ECR-16-003354	09MAR2016	LN	RS

- USE INSTRUCTION SHEET 1799-3
- MAXIMUM PANEL THICKNESS = 3.18 [.125]



OBSOLETE	-	-	-	-	-	-	-	-	-	-	7-329456-2
OBSOLETE	-	-	-	-	-	-	-	-	-	-	7-329456-1
OBSOLETE	-	-	-	-	-	-	-	-	-	-	2-329456-3
OBSOLETE	RG-55/U, 55A/U, 55B/U, 223/U	69140-2	329633	329631	329632	329099	50793-1	2-329106-1	329800	-	2-329456-2
	RG-142/U, 142A/U, 142B/U	69331-1	-	-	-	-	-	-	-	-	-
	RG-58/U, 58A/U, 58B/U, 58C/U	69140-1	329633	9-329631-0	9-329632-0	9-328663-0	50793-1	2-329106-1	9-329800-0	-	2-329456-1
SUPERSEDED BY 2-329456-1	-	-	-	-	-	-	-	-	-	-	329456
	CABLE	CRIMP TOOL	⑦ GASKET QTY=1	⑥ JAM NUT QTY=1	⑤ LOCK WASHER QTY=1	④ FERRULE QTY=1	③ CRIMP END ASSEMBLY QTY=1	② GASKET QTY=1	① JACK ASSEMBLY BULKHEAD QTY=1		PART NUMBER

THIS DRAWING IS A CONTROLLED DOCUMENT.

DIMENSIONS:	TOLERANCES UNLESS OTHERWISE SPECIFIED:	DMN	07FEB96	 TE Connectivity
mm	0 PLC ± - 1 PLC ± - 2 PLC ± 0.41 [.016] 3 PLC ± - 4 PLC ± - ANGLES ± -	CHK	15FEB96	
MATERIAL	FINISH	APVD	FRANK P. MORANA	NAME
		PRODUCT SPEC	FRANK P. MORANA	JACK, BULKHEAD, BNC
		APPLICATION SPEC		
		WEIGHT		RESTRICTED TO
		SIZE	A1	00779
		DRAWING NO	C=329456	
		CUSTOMER DRAWING		SCALE 8:1 SHEET 1 OF 1 REV S