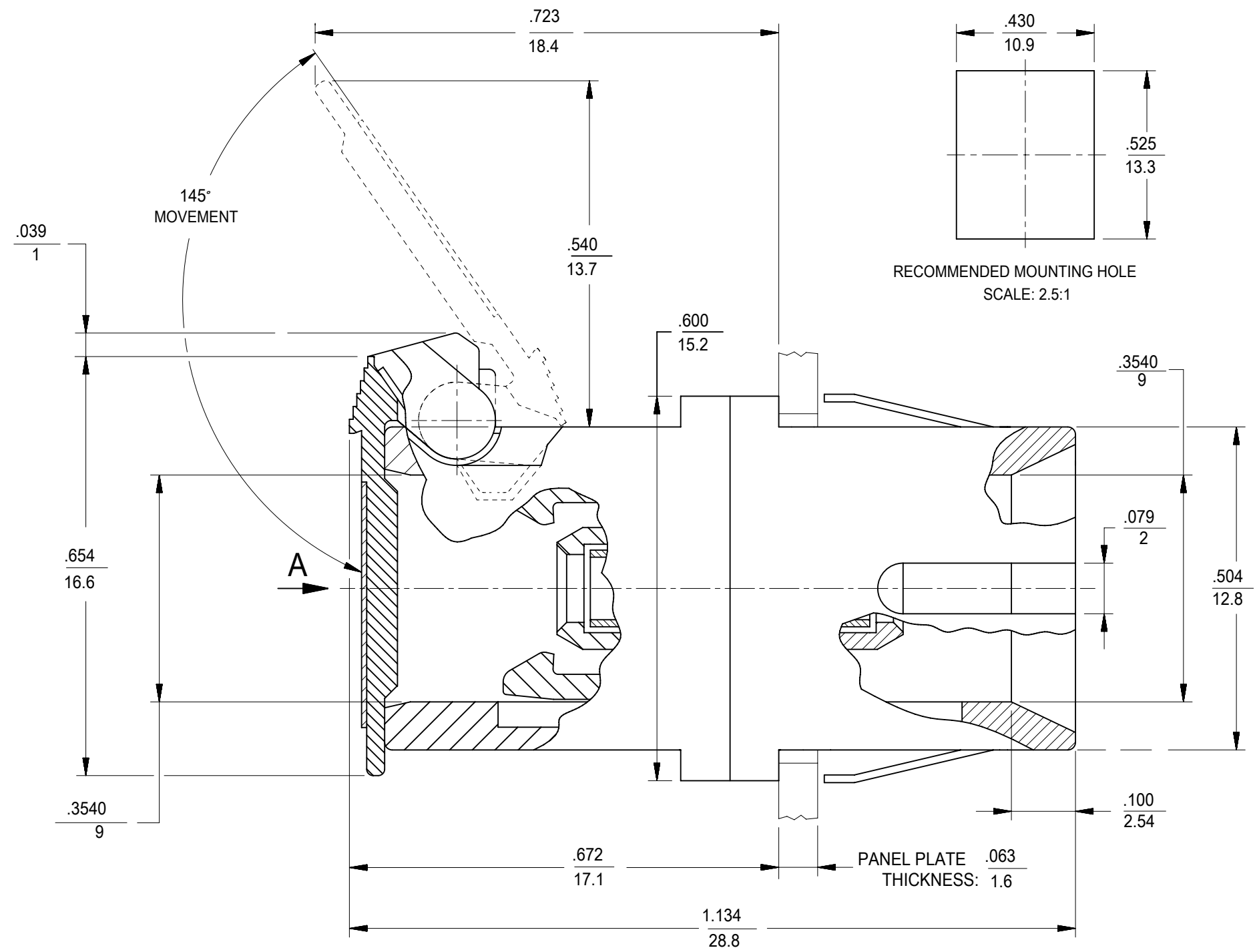
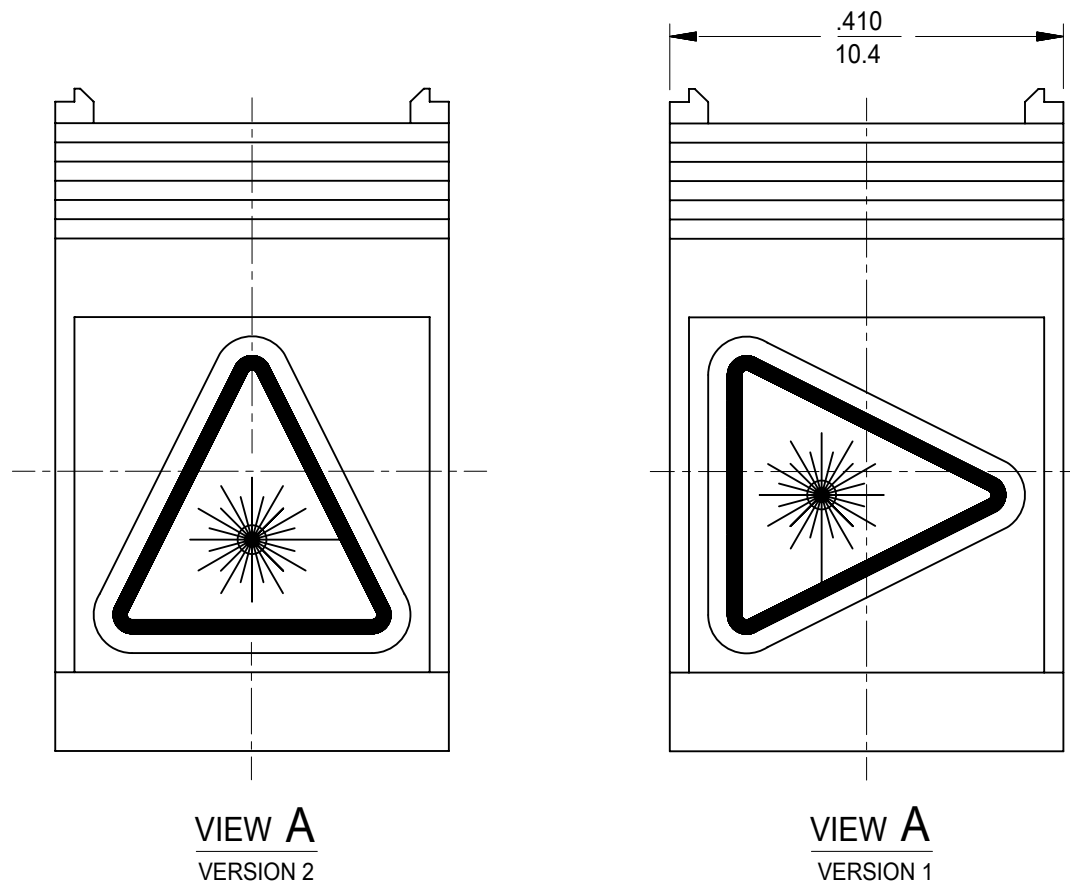


ADAPTER P/N	SPLIT SLEEVE MATERIAL	COLOR OF ADAPTER
106170-0400	ZR	BLACK
106171-0420	PHOSPHOR BRONZE	GREEN



- NOTES:
 1. LABEL MUST BE INSTALLED AND ORIENTED BY CUSTOMER. (SEE VIEW A)
 2. DUST CAP NOT SHOWN, BUT INCLUDED.

THIS DRAWING CONTAINS INFORMATION THAT IS PROPRIETARY TO MOLEX ELECTRONIC TECHNOLOGIES, LLC AND SHOULD NOT BE USED WITHOUT WRITTEN PERMISSION										
DIMENSION UNITS		SCALE		CURRENT REV DESC:				molex		
IN/MM		4:1								
GENERAL TOLERANCES (UNLESS SPECIFIED)				EC NO: 620216		2018/04/20		BSC ADAPTER WITH SHIELD		
4 PLACES		±	±	DRWN: AKUMAR19						
3 PLACES		±	±	CHK'D: GGA		2019/07/09		PRODUCT CUSTOMER DRAWING		
2 PLACES		±	±	APPR: GGA		2019/07/09				
1 PLACE		±	±	INITIAL REVISION:		2005/10/13		DOCUMENT NUMBER		
0 PLACES		±	±	DRWN: RPACIFICI						
ANGULAR TOL		± 0.5 °		APPR:		SD-10617X-X4X0		DOC TYPE	DOC PART	REVISION
DRAFT WHERE APPLICABLE MUST REMAIN WITHIN DIMENSIONS		THIRD ANGLE PROJECTION		DRAWING		SERIES		MATERIAL NUMBER	CUSTOMER	SHEET NUMBER
				C-SIZE		106170		SEE TABLE	GENERAL MARKET	1 OF 1

DOCUMENT STATUS	P1	RELEASE DATE	2019/07/09	04:12:25
-----------------	----	--------------	------------	----------