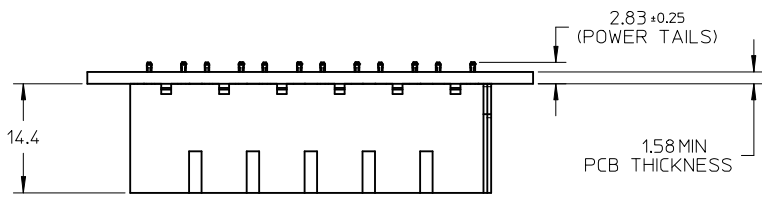
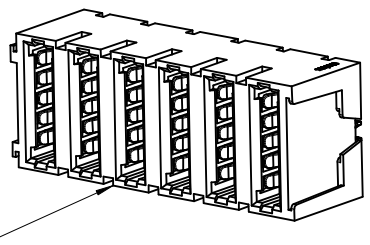
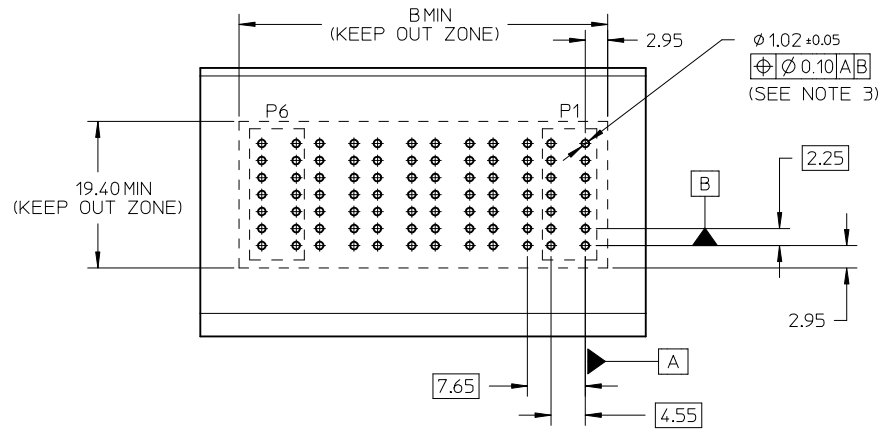
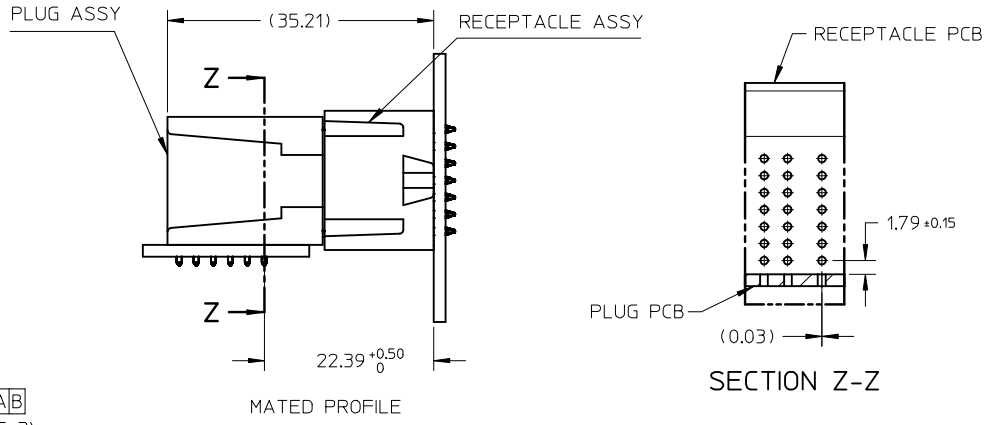
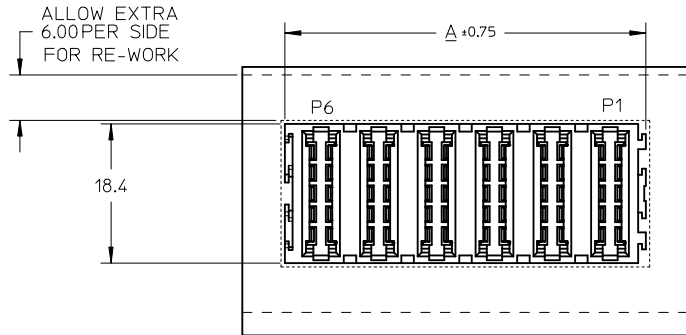


10 9 8 7 6 5 4 3 2 1



PART NUMBER	# OF POWERS	DIM 'A'	DIM 'B'
172186-0009	6	47.75	48.75
172186-0010	4	32.45	33.45
172186-0011	2	17.15	18.15



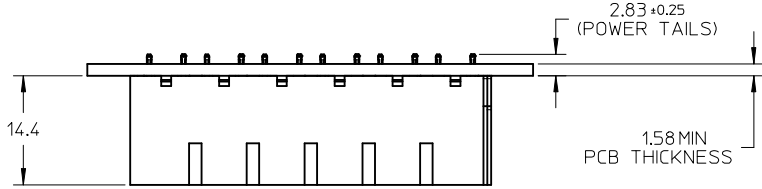
- NOTE:
- MATERIAL:
 - HOUSINGS: LCP UL94, V-0, COLOR: BLACK
 - TERMINALS: COPPER ALLOY
 - PLATING: 1.27μm (50μ") NICKEL OVERALL WITH 2.54μm (100μ") SELECTIVE TIN ON TAILS AND 0.762 μm (30μ") SELECTIVE GOLD ON CONTACT AREA
 - PACKAGING SPECIFICATION: PK-172186-0002
 - PLATED THRU HOLE SIZE, REFER TO PS-172185-0001 FOR DETAILS
 - PRODUCT SPEC: PS-172185-0001
 - PRODUCT TO MEET RoHS REQUIREMENTS
 - FOR MATING PARTS SEE PLUG ASSEMBLY SD-172185-0009
 - TAIL DESIGN: COMPLIANT PIN
 - CONTACTS ARE LUBRICATED

RECOMMENDED PCB LAYOUT AND KEEP OUT ZONE

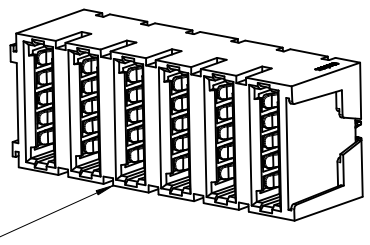
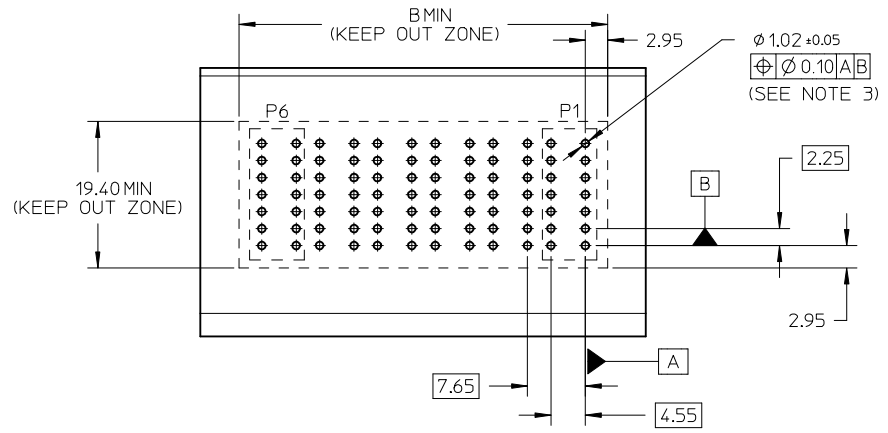
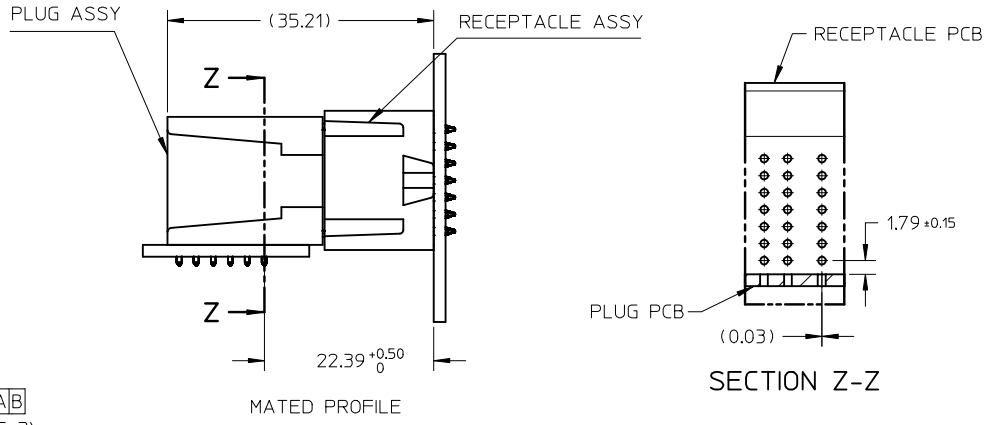
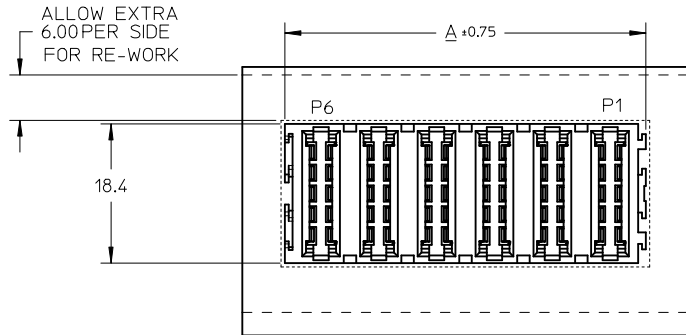
UPDATE PK SPEC EC NO: S2018-0069 DRWN:CGOH 2017/08/03 CHYKDEANG 2017/08/18 APPR:KHLIM 2017/08/18	QUALITY SYMBOLS $\nabla_A = 0$ $\nabla_E = 0$ $\nabla_F = 0$	GENERAL TOLERANCES (UNLESS SPECIFIED)		DIMENSION STYLE MM ONLY		SCALE NTS	DESIGN UNITS METRIC	THIRD ANGLE PROJECTION			
		4 PLACES ± --- ± ---	3 PLACES ± --- ± ---	DRAWN BY CGOH	DATE 2015/01/04	TITLE MODULAR ENERGETIC VERT RECEPTACLE ASSY POWER MODULE W/O GUIDE					
		2 PLACES ± 0.13 ± ---	1 PLACE ± 0.25 ± ---	CHECKED BY EANG	DATE 2015/06/09	MATERIAL NO. SD-172186-0009					
		0 PLACE ± --- ± ---	ANGULAR ± 3 °	APPROVED BY KHLIM	DATE 2015/06/09	SHEET NO. 1 OF 1					
A2	REV	DRAFT WHERE APPLICABLE MUST REMAIN WITHIN DIMENSIONS		SIZE A3	THIS DRAWING CONTAINS INFORMATION THAT IS PROPRIETARY TO MOLEX INCORPORATED AND SHOULD NOT BE USED WITHOUT WRITTEN PERMISSION						

9 8 7 6 5 4 3 2 1

10 9 8 7 6 5 4 3 2 1



PART NUMBER	# OF POWERS	DIM 'A'	DIM 'B'
172186-0009	6	47.75	48.75
172186-0010	4	32.45	33.45
172186-0011	2	17.15	18.15



- NOTE:
- MATERIAL:
 - HOUSINGS: LCP UL94, V-0, COLOR: BLACK
 - TERMINALS: COPPER ALLOY
 - PLATING: 1.27µm (50µ") NICKEL OVERALL WITH 2.54µm (100µ") SELECTIVE TIN ON TAILS AND 0.762µm (30µ") SELECTIVE GOLD ON CONTACT AREA
 - PACKAGING SPECIFICATION: PK-172186-0002
 - PLATED THRU HOLE SIZE, REFER TO PS-172185-0001 FOR DETAILS
 - PRODUCT SPEC: PS-172185-0001
 - PRODUCT TO MEET RoHS REQUIREMENTS
 - FOR MATING PARTS SEE PLUG ASSEMBLY SD-172185-0009
 - TAIL DESIGN: COMPLIANT PIN
 - CONTACTS ARE LUBRICATED

RECOMMENDED PCB LAYOUT AND KEEP OUT ZONE

REV	DESCRIPTION	QUALITY SYMBOLS	GENERAL TOLERANCES (UNLESS SPECIFIED)		DIMENSION STYLE		SCALE	DESIGN UNITS	THIRD ANGLE PROJECTION		
			mm	INCH	MM ONLY	NTS	METRIC	PROJECTION			
A2	UPDATE PK SPEC EC NO: S2018-0069 DRWN:CGOH 2017/08/03 CHKD:EAH 2017/08/18 APPR:KHLIM 2017/08/18	$\nabla_A = 0$ $\nabla_E = 0$ $\nabla_F = 0$	4 PLACES ± --- ± ---	3 PLACES ± --- ± ---	2 PLACES ± 0.13 ± ---	1 PLACE ± 0.25 ± ---	0 PLACE ± --- ± ---	ANGULAR ± 3 °	DRAFT WHERE APPLICABLE MUST REMAIN WITHIN DIMENSIONS	SIZE A3	THIS DRAWING CONTAINS INFORMATION THAT IS PROPRIETARY TO MOLEX INCORPORATED AND SHOULD NOT BE USED WITHOUT WRITTEN PERMISSION
					DRAWN BY CGOH DATE 2015/01/04		TITLE		MODULAR ENERGETIC VERT RECEPTACLE ASSY POWER MODULE W/O GUIDE		
					CHECKED BY EANG DATE 2015/06/09						
					APPROVED BY KHLIM DATE 2015/06/09						
					MATERIAL NO.		DOCUMENT NO.		SHEET NO.		
					SEE TABLE		SD-172186-0009		1 OF 1		

9 8 7 6 5 4 3 2 1