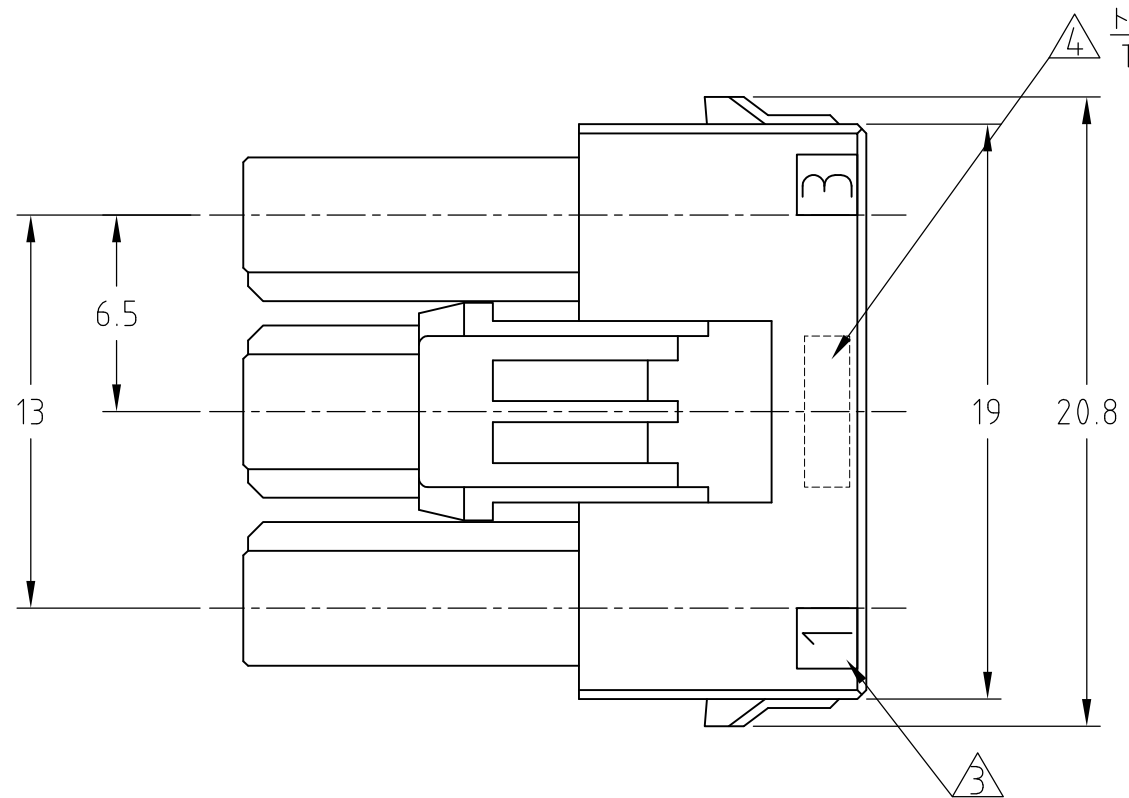
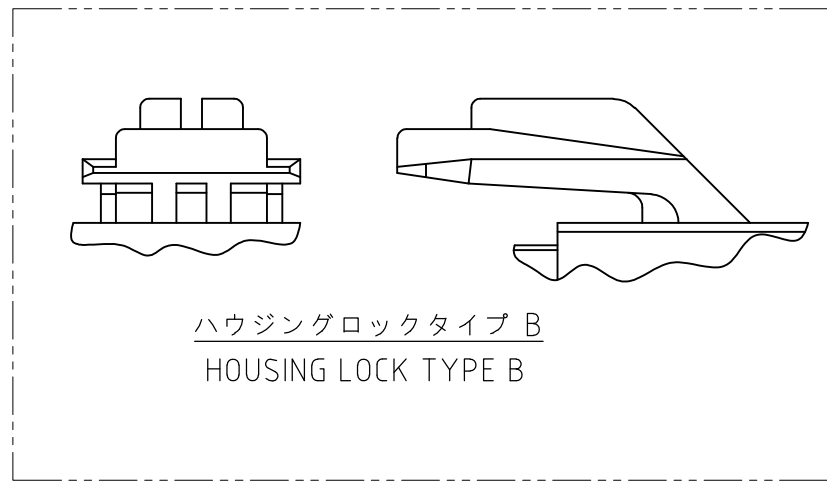


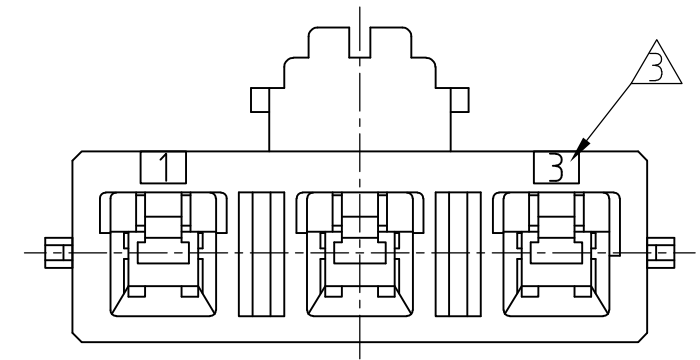
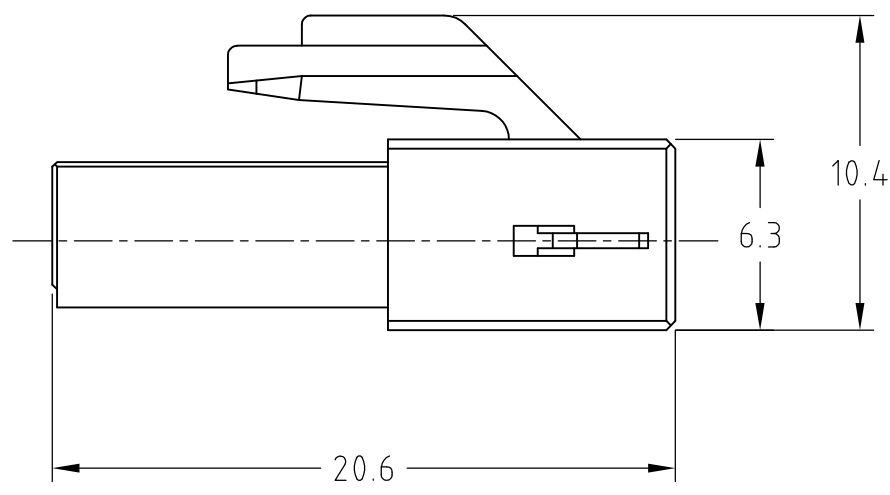
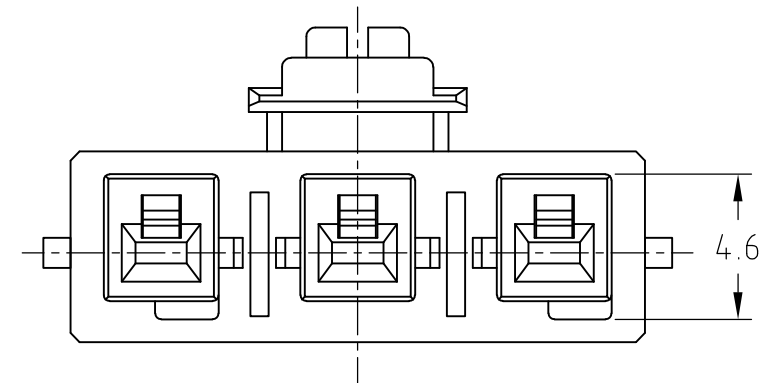
THIS DRAWING IS UNPUBLISHED. RELEASED FOR PUBLICATION  
 © COPYRIGHT BY TYCO ELECTRONICS CORPORATION. ALL RIGHTS RESERVED.

LOC	DIST	REVISIONS					
J	—	P	LTR	DESCRIPTION	DATE	DWN	APVD
			D2	REVISED ECR-14-001994	11FEB'14	A.Z	D.Z



△ TABLE 1

トレードマーク TRADE MARK	生産場所 MANUFACTURING PLACE
-AMP OR AMP	日本 JAPAN
-+AMP OR AMP	中国 CHINA
•AMP OR AMP	韓国 KOREA



- 注記
1. 材料：6/6ナイロン
  2. 適用コンタクト：177914-1,177915-1
  - △ 回路番号
  - △ 表1参照

- NOTES
1. MATERIAL : 6/6NYLON
  2. APPLICABLE CONTACT : 177914-1,177915-1
  - △ CCIRCUIT NO.
  - △ SEE TABLE 1
  5. ALL PARTS MEET RTI ELECTRICAL RATING OF 105°C ACCORDING TO UL 1977.
  6. PART 5-179938-1 COMPLY WITH GLOW WIRE REQUIREMENT FOR PARTS OF NON-METALLIC MATERIAL SUPPORTING A CURRENT-CARRYING CONNECTION DETAILED IN IEC 60335-1, SECTION 30(GWT)

ロック HSG LOCK	色調 COLOR	型番 PART NUMBER
A	自然色 NATURAL	3-179938-1
	自然色 NATURAL	5-179938-1
	黒 BLACK	179938-9
	青 BLUE	179938-6
	黄 YELLOW	179938-4
	赤 RED	179938-2
	自然色 NATURAL	179938-1

THIS DRAWING IS A CONTROLLED DOCUMENT.		DWN J.SATO 26AUG2008	Tyco Electronics Corporation Kawasaki, Japan		
DIMENSIONS: 単位： 耗 mm		CHK S.MANABE 26AUG2008	NAME 名称 AMP POWER DBL LOCK CONN. 6.5MM PITCH PLUG HSG 3P (SINGLE ROW)		
TOLERANCES UNLESS OTHERWISE SPECIFIED: 一般公差		APVD S.MANABE 26AUG2008	PRODUCT SPEC 製品規格 108-5410		
MATERIAL 材料 SEE NOTE 1		ANGLES FINISH 仕上 ±3'	APPLICATION SPEC 取付適用規格		
		WEIGHT	SIZE A3	CAGE CODE 00779	DRAWING NO G-179938
			RESTRICTED TO —		
			SCALE 尺度 4:1		SHEET 1 OF 1
			REV D2		