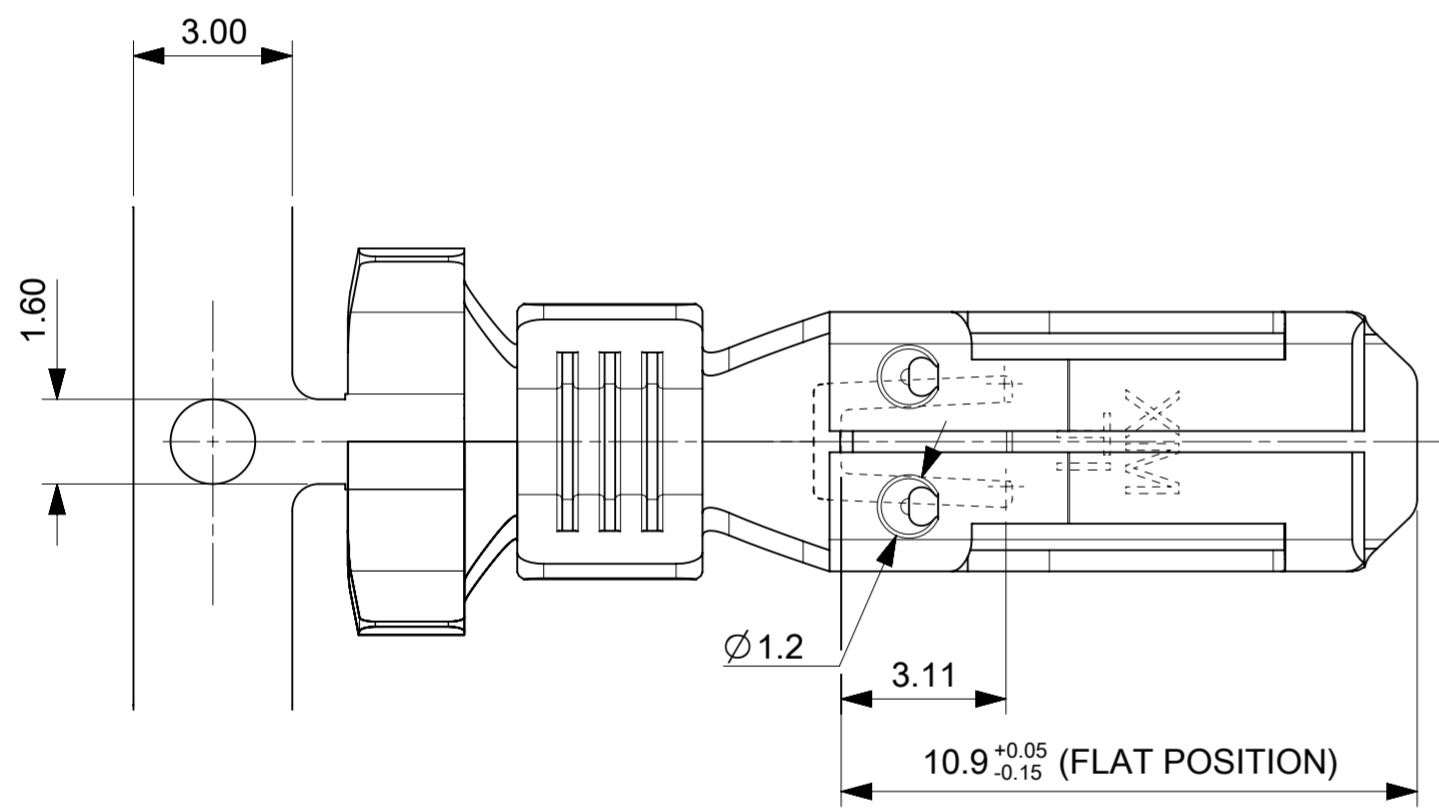


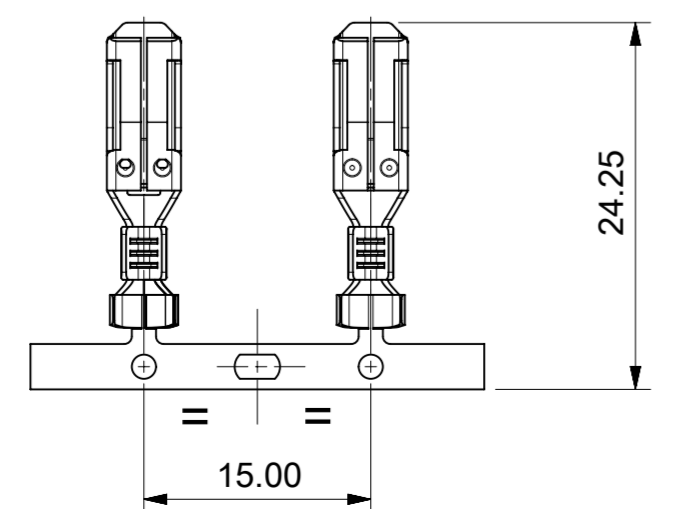
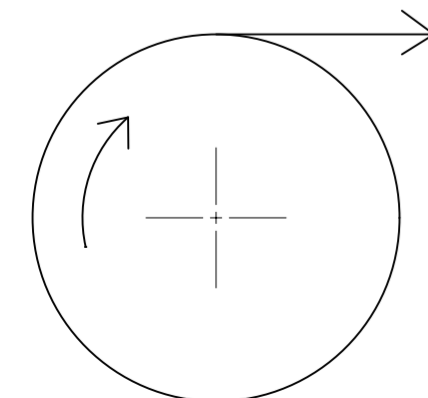
SECTION A-A

SECTION B-B



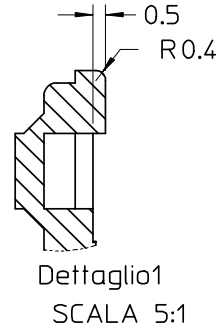
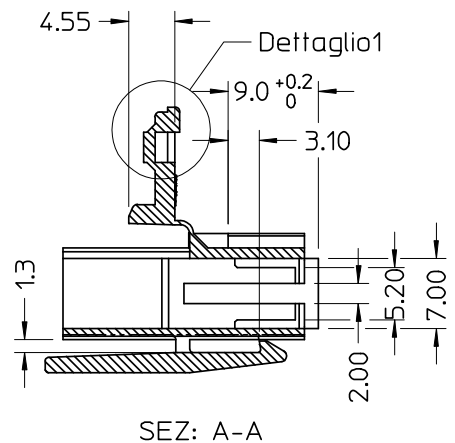
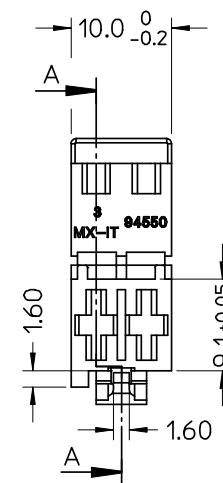
P/N	PLATING	MATERIAL	WIRE RANGE	INS. RANGE	DIMENSION				
					A	B	C	D	E
94518-0100	PLAIN	BRASS	0.5 - 1.0	2.2 - 2.8	4.5	4.5	3.0	3.0	/
94518-0101	TIN								
94518-0200	PLAIN	BRASS	1.0 - 2.5 FOR SINGLE DOUBLE CABLES	2.6 - 3.8	5.5	5.5	4.1	4.3	/
94518-0201	TIN								
94518-0400	PLAIN	BRASS	1.5 - 3.0 FOR DOUBLE CABLES	-	7.3	5.1	5.2	4.0	1.8
94518-0401	TIN								
94518-0300	PLAIN	BRASS	4.0	3.4 - 3.7	5.5	5.5	5.0	5.1	/
94518-0301	TIN								

DIRECTION OF UNREELING

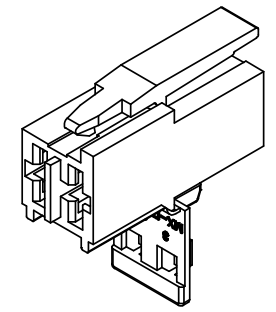
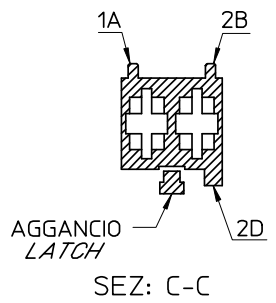


PACKAGING: REFER 945180001-PK
 STD. DESCRIPTION: HNF TERM (material-plating-wire gauge)

FUNCTIONAL SYMBOLS $\nabla_A = 0$ $\nabla_C = 0$ $\nabla_P = 0$ DIVISIONAL SYMBOLS	THIS DRAWING CONTAINS INFORMATION THAT IS PROPRIETARY TO MOLEX ELECTRONIC TECHNOLOGIES, LLC AND SHOULD NOT BE USED WITHOUT WRITTEN PERMISSION		CURRENT REV DESC: REMOVED PN: 94518-0120,-0121,-0220,-0221		 RAST 5 CRIMP TERMINAL PRODUCT CUSTOMER DRAWING		
	DIMENSION UNITS: mm	SCALE: 7:1	EC NO: 657968				
	GENERAL TOLERANCES (UNLESS SPECIFIED)		DRWN: SCV 2021/03/09				
	ANGULAR TOL ± 2.0°		CHK'D: MBN02 2021/03/15				
4 PLACES ±		APPR: SDEVITT 2021/03/22		DOCUMENT NUMBER: 945180001	DOC TYPE: PSD	DOC PART: 000	REVISION: A1
3 PLACES ±		INITIAL REVISION: DRWN: AKABADI 2021/01/07		MATERIAL NUMBER: SEE TABLE		CUSTOMER: GENERAL MARKET	
2 PLACES ± 0.1		APPR: SDEVITT 2021/02/25		SERIES: 94518		SHEET NUMBER: 1 OF 1	
1 PLACE ± 0.2		DRAFT WHERE APPLICABLE MUST REMAIN WITHIN DIMENSIONS		DRAWING: A2-SIZE		THIRD ANGLE PROJECTION	



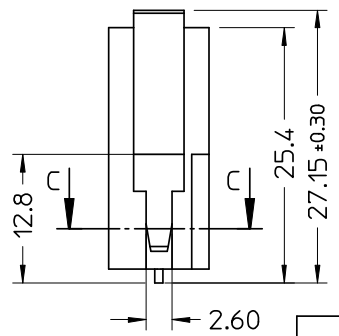
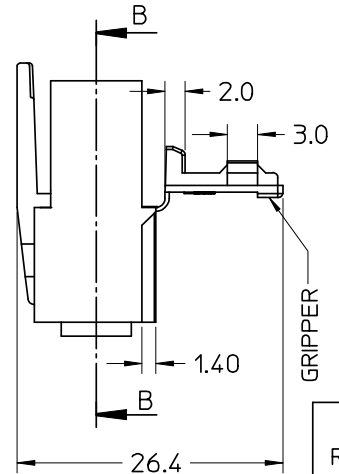
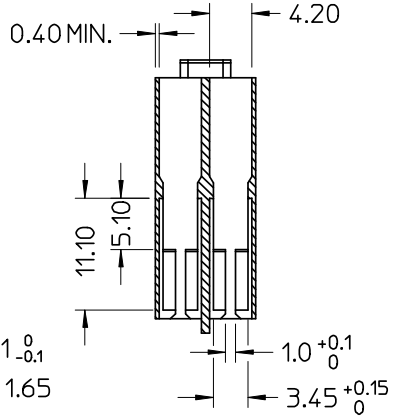
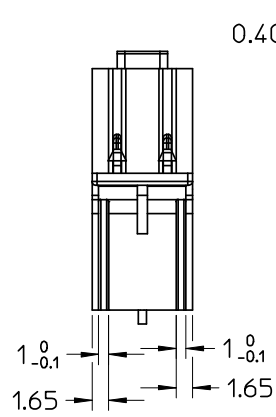
CONFIGURAZIONE POLARIZZAZIONI
POLARIZATION CONFIGURATION



NOTE:
 - USATO CON TERMINALE 94518-0XXX E 94549-0XXX
 - SPECIFICA DI RIFERIMENTO PER IL CONNETTORE PS-94550-001
 - PER CARATTERISTICHE DI CRIMPATURA RIF. SD-94518-005 E SD-94549-001
 - FORZA DI DISACCOPIAMENTO CONNETTORE (TRAZIONANDO DAI CAVI SENZA AZIONARE L'AGGANCIO): 40 N MIN.
 - SPESSORE MINIMO PARETI CONNETTORE 0.40 mm.

NOTE:
 - USED WITH TERMINALS 94518-0XXX AND 94549-0XXX
 - REFER TO PS-94550-001 FOR CONNECTOR SPECIFICATION
 - REFER TO SD-94518-005 AND SD-94549-001 FOR CRIMPING CHARACTERISTICS
 - CONNECTOR DISENGAGEMENT FORCE (PULLING BY THE WIRES, WITHOUT ACTUATING THE LATCH): 40 N MIN.
 - MINIMUM CONNECTOR WALL THICKNESS 0.40 mm.

CONFEZIONE: Box da 3500 Pz.
 PACKAGING: 3500 pcs in carton box

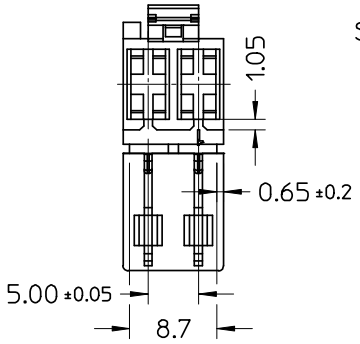


* AGENCY RECOGNIZATIONS
 CSA (file LR19980)
 UL (file E-29179)

P/N	MATERIAL/COLOR
* 94550-9102	NYLON 6.6 V0 NATURAL
94550-8102	NYLON 6.6 V2 NATURAL
94550-4102	NYLON 6.6 GWT 750°C sec.IEC 60335-1 TEST METHOD IEC 60695-2-11 NATURAL

SPQ = 3500

Std. Descr.: 'HSG W/SEC LOCK AND LATCH 2CKT _____ COLOR'



EC NO: Z2006-0038
 DRWN: FGOTTARD 2005/09/21
 CHKD: RSANDAN 2005/09/21
 APPR: GZUIN 2005/09/21

QUALITY SYMBOLS	GENERAL TOLERANCES (UNLESS SPECIFIED)	
	mm	INCH
4 PLACES	± ---	± ---
3 PLACES	± ---	± ---
2 PLACES	± 0.10	± ---
1 PLACE	± 0.2	± ---
ANGULAR ± 2°		
DRAFT WHERE APPLICABLE		
MUST REMAIN WITHIN DIMENSIONS		

SCALE	DESIGN UNITS
2:1	METRIC
DIMENSION STYLE	
MM ONLY	
DRAWN BY	DATE
FGOTTARD	2002/06/27
CHECKED BY	DATE
MTESTAGU	2002/06/27
APPROVED BY	DATE
GZUIN	2002/06/27

FIRST ANGLE PROJECTION	REVISE ON CAD ONLY	
TITLE HSG 2 CKT WITH SEC.LOCK AND EXTERNAL LATCH		
MOLEX INCORPORATED		
MATERIAL NO.	DOCUMENT NO.	SHEET NO.
SEE TABLE	SD-94550-006	1 OF 1
THIS DRAWING CONTAINS INFORMATION THAT IS PROPRIETARY TO MOLEX INCORPORATED AND SHOULD NOT BE USED WITHOUT WRITTEN PERMISSION		