

SIGN	DATE	DESCRIPTION	APPROVER
			Jacke
THIS IS CAD DRAWING, DO NOT REVISE MANUALLY!!!			

Material

- Terminal body
- (metal housing): Brass(CuZn)
- Terminal screw: Steel Zinc plating "-" slot type
- Wire guard: PhBz (CuSn)
- Insulator (housing): Thermoplastic (UL94V-0)

Electrical

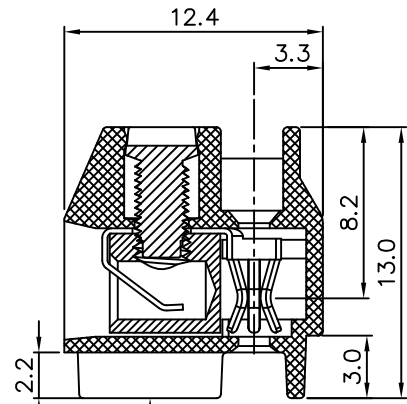
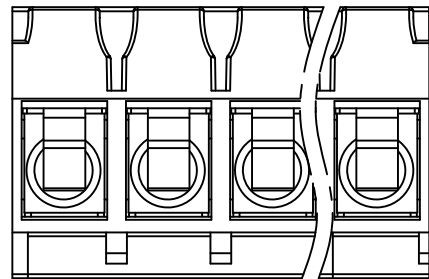
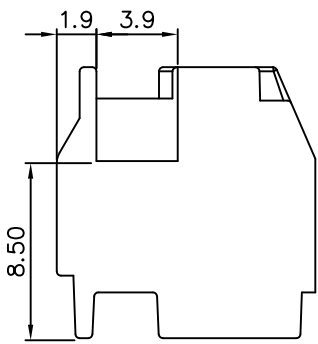
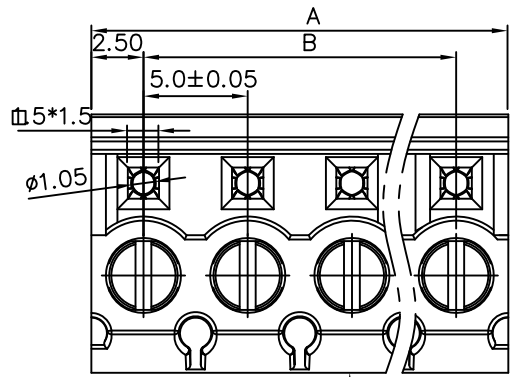
- Voltage rating: 300V
- Current rating: 10A
- Wire range:
 - Solid wire(AWG): 14-26
 - Stranded wire(AWG): 14-26
- Torque: 3.5Lb-In
- Screw: M2.6
- Wire strip length: 5-6mm
- Withstanding Voltage: 1.6KV
- Operating temperature: -40°C to +115°C

RoHS Compliant

PART NUMBER:

OSTKRXX0100

No. of Poles	COLOR
02 2 Poles	0: Black
03 3 Poles	5: Green (Standard)
...	6: Blue
24 24 Poles	8: Grey



□ Dim C

□ Dim D

N = Number of poles
 Dim A=Nx5.0
 Dim B=(N-1)x5.0

	□	□	□	□
	Dim A	Dim B	Dim C	Dim D
2P	±0.05	±0.05	≤0.05	≤0.05
3-6p	±0.15	±0.15	≤0.10	≤0.10
7-12p	±0.20	±0.20	≤0.20	≤0.20
13-18p	±0.30	±0.30	≤0.20	≤0.20
19-24p	±0.40	±0.40	≤0.40	≤0.40

THESE DRAWINGS AND SPECIFICATIONS ARE THE PROPERTY OF ON-SHORE TECHNOLOGY, INC. AND SHALL NOT BE REPRODUCED, COPIED OR USED IN ANY MANNER WITHOUT THE PRIOR WRITTEN CONSENT OF ON-SHORE TECHNOLOGY, INC.



TITLE		OSTKR 5.0mm Series "-" (Without hook)				
PART NO.	OSTKRXX0100	DWG NO.		OSTKRXX0100.DWG		
APPROVED	CHECKED	DESIGNED	DRAWN	Tolerance		
Marvin		Jacke	Jacke		X. ±0.50	
2009.04.08		2009.03.31	2009.03.31		SCALE: NONE	X.XX ±0.30
				01/01	X' ±0.10	
					REV.: C	X' ±1'