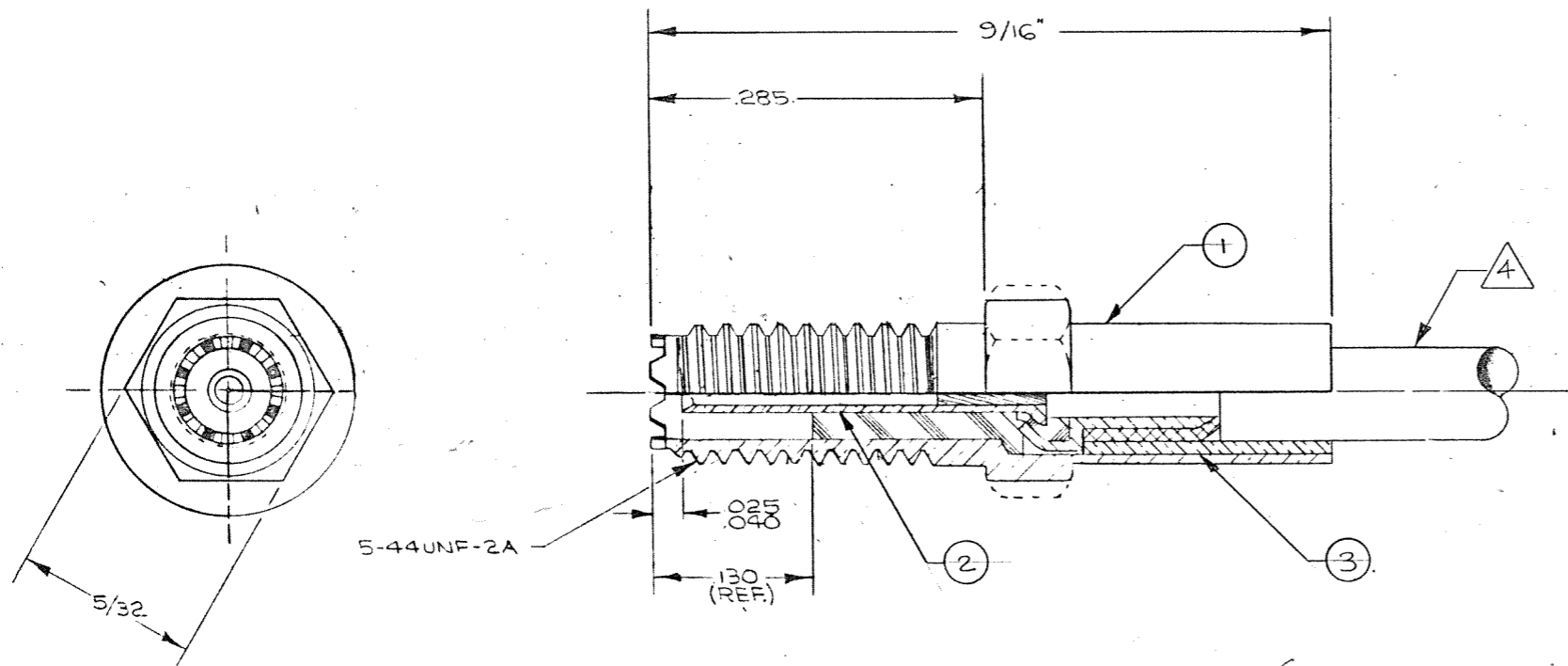


REVISIONS			
SYM	DESCRIPTION	DATE	APPROVED
A	RELEASED FOR PRODUCTION (NDR10638) EM	10/2/69	[Signature]
B	REV. LETTER UP-DATED ECO 16329	11/18/69	[Signature]
C	REV. LET. UPDATE ECO 20651 4416 2-23-76	2/23/76	[Signature]
D	UPDATE REV. LETTER (40359)	7/20/70	[Signature]



1-532006-7

NOTES: UNLESS OTHERWISE SPECIFIED
 1. THIS JACK ASSEMBLY MATES WITH ALL LEPRACON 142 INTERLOCKING INTERFACE PLUGS.
 2. SEE RF-ASMB-12 FOR CABLE ASSEMBLY INSTRUCTIONS.
 3. ALL METALLIC PARTS ARE GOLD PLATED PER MIL-G-45204 TYPE II, CLASS I.
 4. CABLE ACCEPTANCE DIMENSIONS:
 CENTER CONDUCTOR .012.
 DIELECTRIC .034.
 SHIELD .054.
 JACKET .075.

QTY. REQD.	PART NO.	NOMENCLATURE OR DESCRIPTION	MATERIAL & SPECIFICATION	ITEM NO.
1	014-0004-0002	CRIMP SLEEVE	LEADED COPPER FULL HARD OR O.F.H.C. 121 COPPER	3
1	014-1009-0001	SOCKET CONTACT SUBASSY		2
1	014-1085-0001	HOUSING SUBASSY, STR. JACK		1

LIST OF MATERIAL OR PARTS LIST

UNLESS OTHERWISE SPEC.	DRAWN	E. NINGURA	10-8-69	MICRODOT INC. 220 PASADENA AVE. SO. PASADENA, CALIF. STR. JACK ASSEMBLY WITH INTERLOCKING INTERFACE LEPRACON
DIMENSIONS ARE IN INCHES	CHECK			
TOLERANCES	PR. ENG.	[Signature]	10/13/69	
DECIMALS	CHF. ENG.			
.XX ± .XXX ± .010 .XXXX ±	MATERIAL		SEE TAB. BLOCK	CODE IDENT 98278 SIZE C CD 141-0017-0001
ANGLES ± SURFACE ROUGHNESS	SURFACE TREATMENT		3	
NEXT ASSY. USED ON	NEXT ASSY. TOP ASSY.	DO NOT SCALE THIS DWG.		SCALE — WEIGHT 90 SHEET 1 of 1

APPLICATION	QUANTITY REQD.