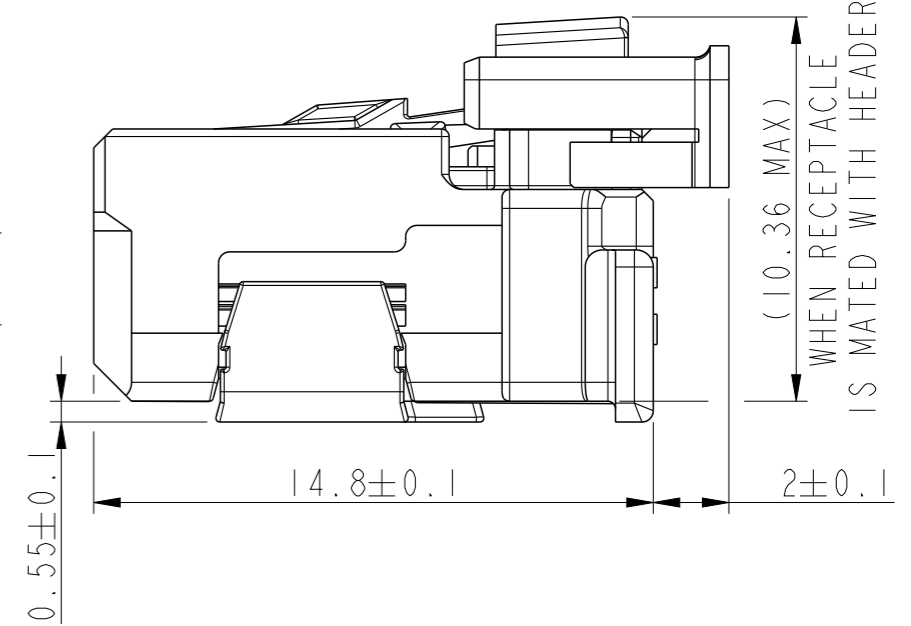
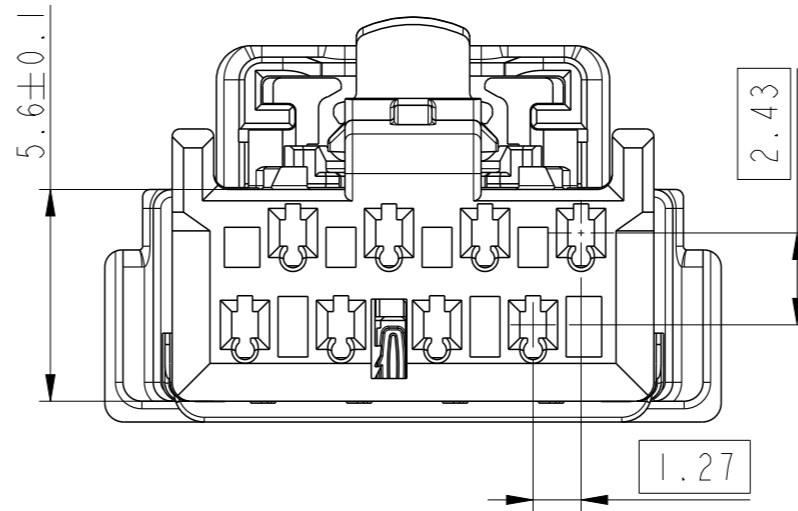


PRODUCT DESCRIPTION CODE :

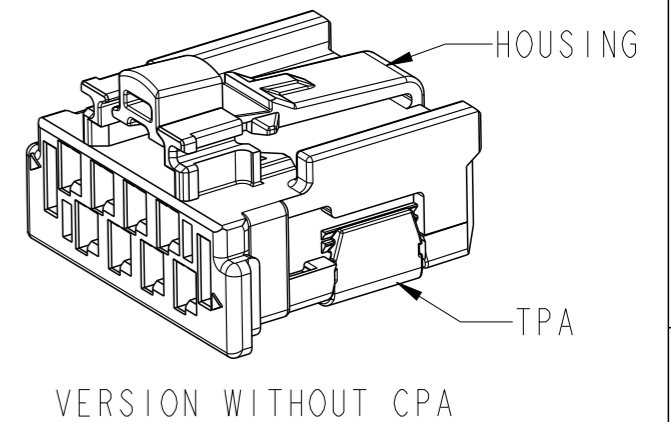
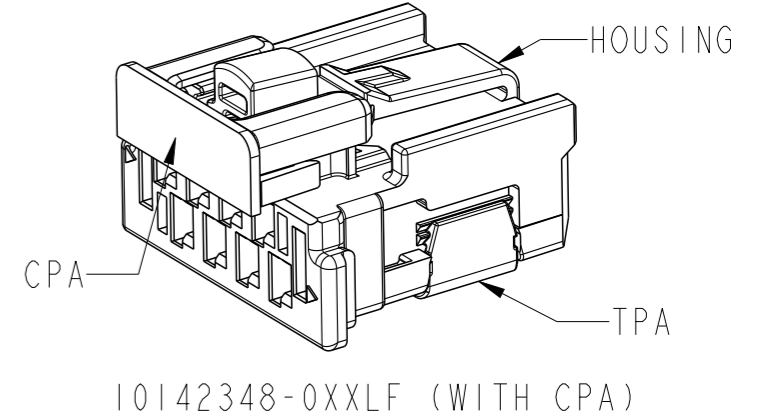
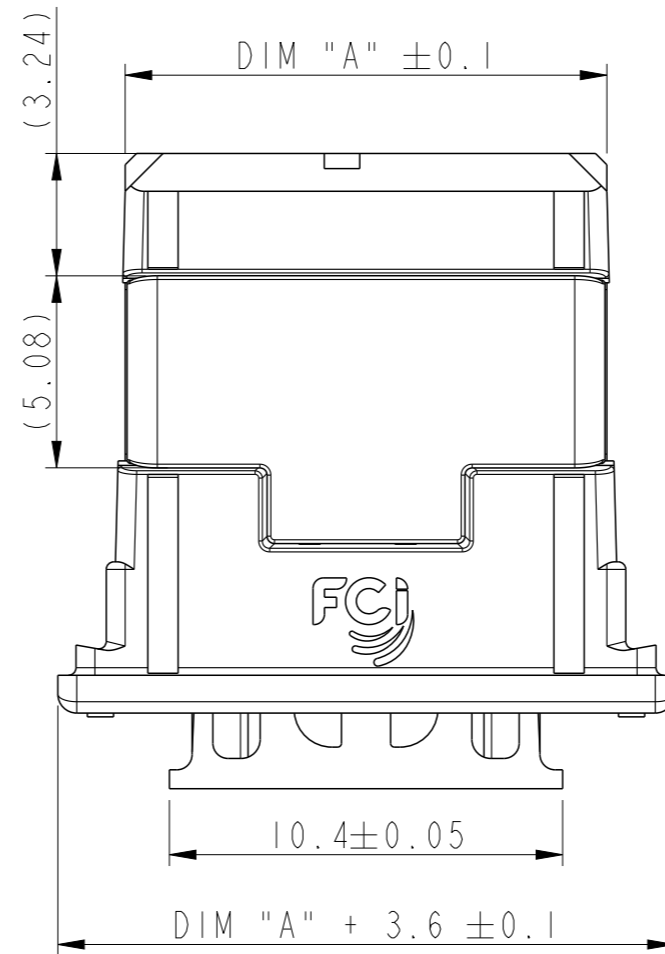
10142348-0XX LF

- RoHS COMPATIBLE
- FOR CUSTOMER CODE:
BLANK = GENERAL USE
V = CUSTOMER DEDICATED PART
- PACKAGING :
BLANK = BULK
- BLANK = WITH CPA
W = WITHOUT CPA
- NUMBER OF POSITIONS : 04 TO 16
- MATERIAL



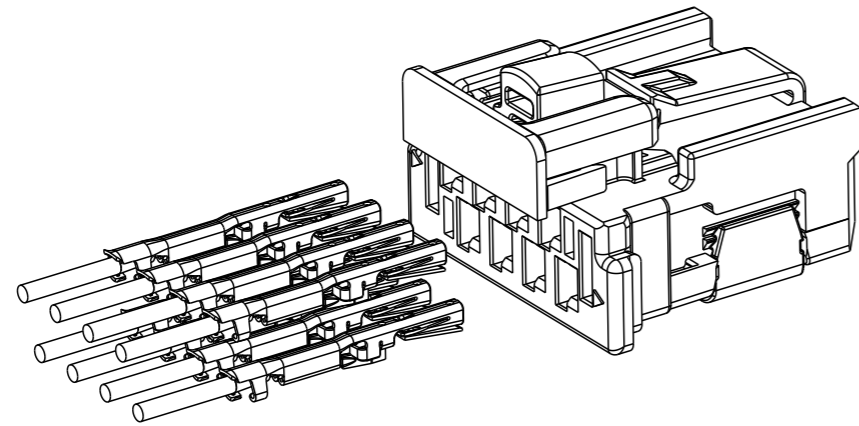
NOTES:

- 1 - MATERIAL:
HIGH TEMPERATURE THERMOPLASTIC
COLOR BLACK UL94 V-0
- 2 - FOR USE WITH MINITEK μ SPACE CTW TERMINALS :
AWG 22 TO AWG 28, SERIES 10141272 & 10148496
- 3 - TO BE MATED WITH MINITEK μ SPACE HEADERS SERIES
10142344 / 10143535
- 4 - THE PRODUCT IS NOT INTENDED TO BE EXPOSED TO ANY
SOLDER PROCESS.
- 5 - RoHS COMPATIBLE PRODUCT SPECIFICATIONS
 - a - LABELLING :
MEETS PACKAGING SPECS AS PER GS-14-920
 - b - LEGAL STATEMENT :
SEE GS-47-0004.

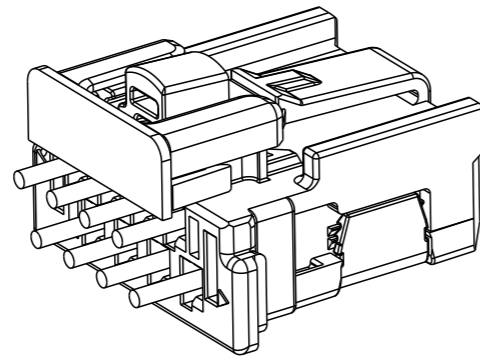


PRE-LOAD CONFIGURATION : DELIVERED STATUS

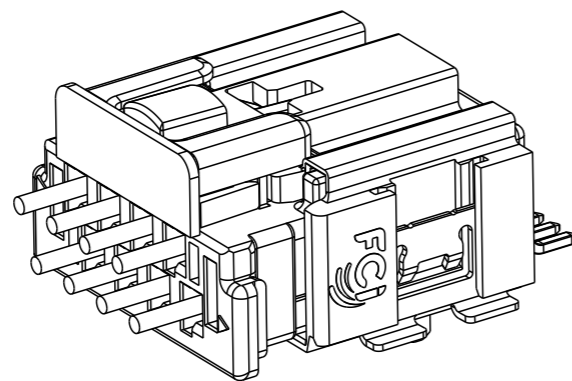
spec ref	GS-12-1422	dr	Mohan, Dinil V	2018/07/10	projection		size	A3	scale	5:1	
tolerance std	ISO 406 ISO 1101	eng	Moisan, Gwenda	2022/11/15	mm		ecn no	ELX-F-34656-1			
	TOLERANCES UNLESS OTHERWISE SPECIFIED	chr	Moisan, Gwenda	2022/11/15	product family	-	rel level	Released			
surface	linear	0.X	±0.3	Amphenol FCI	RECEPTACLE ASSEMBLY		dwg no	10142348		rev	D
		0.XX	±0.10		MINITEK μ SPACE STAGGERED TOP LATCH						
		0.XXX	±0.005		cat. no.	-	Product - Customer Drw	sheet 1 of 3			
ISO 1302	angular	0°	±2°								



PRE-LOAD CONFIGURATION FOR TERMINAL INSERTION

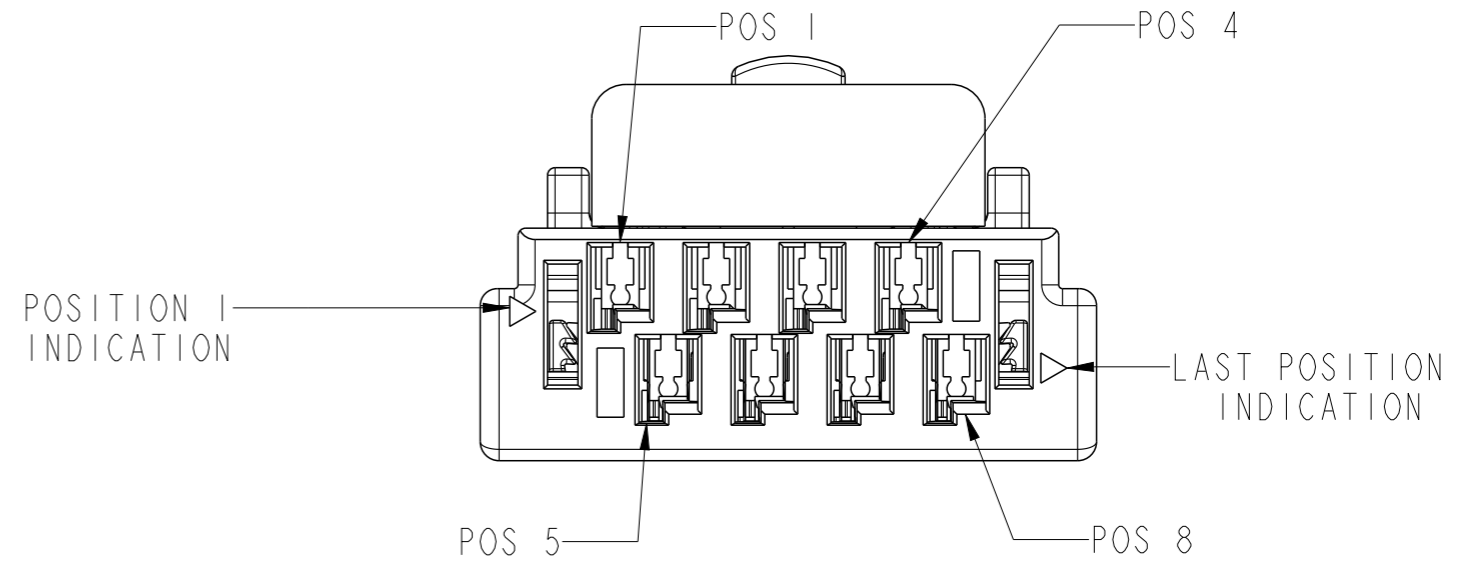


FINAL LOAD CONFIGURATION WITH INSERTED TERMINAL



FULL HEADER AND RECEPTACLE ASSEMBLY CONFIGURATION

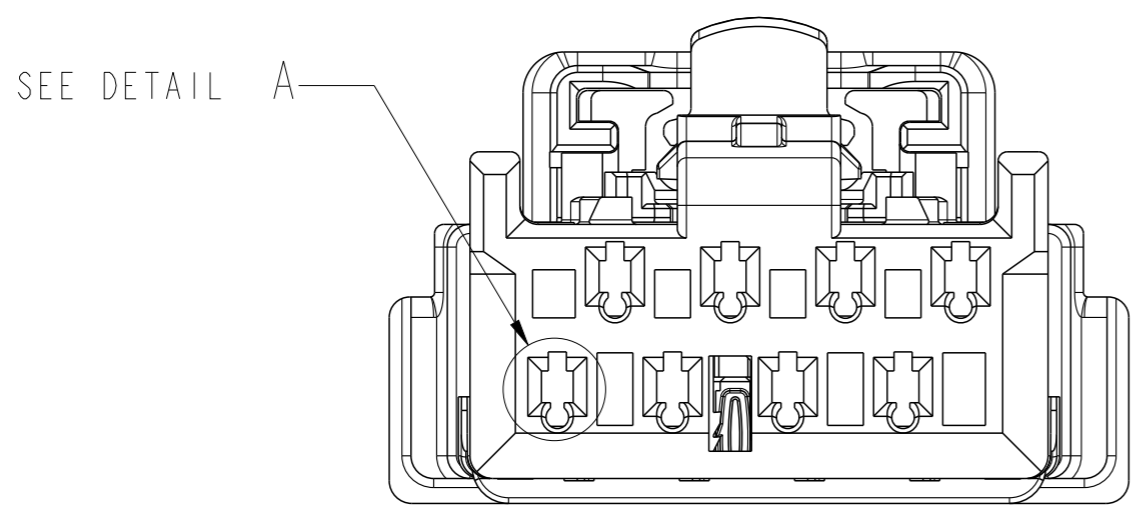
PART NO.	NO. OF POSN	DIM "A"
10142348-004LF	04	7.66
10142348-005LF	05	8.93
10142348-006LF	06	10.20
10142348-007LF	07	11.47
10142348-008LF	08	12.74
10142348-009LF	09	14.01
10142348-010LF	10	15.28
10142348-011LF	11	16.55
10142348-012LF	12	17.82
10142348-013LF	13	19.09
10142348-014LF	14	20.36
10142348-015LF	15	21.63
10142348-016LF	16	22.90



POSITION NUMBER INDICATION FOR 8POS VERSION

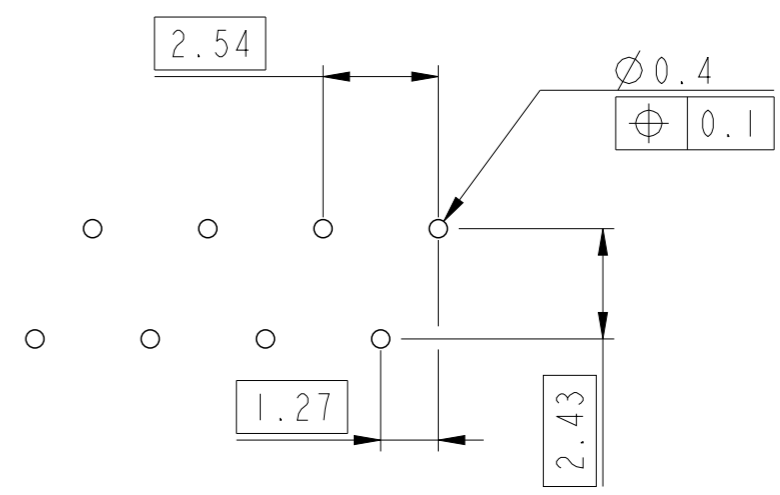
SCALE 5:1

spec ref	GS-12-1422	dr	Mohan, Dinil V	2018/07/10	projection	mm	size	A3	scale	4:1	
tolerance std	ISO 406 ISO 1101	eng	Moisan, Gwenda	2022/11/15			ecn no	ELX-F-34656-1			
TOLERANCES UNLESS OTHERWISE SPECIFIED		chr	Moisan, Gwenda	2022/11/15				rel level	Released		
surface	linear	0.X	±0.3		RECEPTACLE ASSEMBLY MINITEK μSPACE STAGGERED TOP LATCH	cat. no. - Product - Customer Drw	dwg no 10142348	rev D	sheet 2 of 3		
		0.XX	±0.10						PDS: Rev :D	STATUS:Released	Printed: Nov 16, 2022
	angular	0°	±2°								

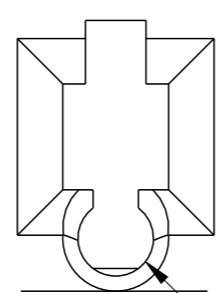


SEE DETAIL A

TEST PROBE \varnothing 0.4mm COMPLIANCE



RECOMMENDED LAYOUT OF TEST PROBE \varnothing 0.4mm



HOLE FOR TEST PROBE

DETAIL A
SCALE 20:1

spec ref	GS-12-1422			dr	Mohan, Dinil V	2018/07/10	projection 	mm 	size	A3	scale	6:1	
tolerance std	TOLERANCES UNLESS OTHERWISE SPECIFIED			eng	Moisan, Gwenda	2022/11/15			ecn no	ELX-F-34656-1			
ISO 406 ISO 1101				chr	Moisan, Gwenda	2022/11/15			rel level	Released			
surface	linear	0.X	\pm 0.3	Amphenol FCi	RECEPTACLE ASSEMBLY			dwg no	10142348		rev	D	
		0.XX	\pm 0.10		MINITEK μ SPACE STAGGERED TOP LATCH								
ISO 1302	angular	0°	\pm 2°		cat. no.	-	Product - Customer Drw						sheet 3 of 3