

注記 NOTES

- ① 材料及び仕上げ (めっき仕様) : TABLE 1, TABLE 2  
MATERIAL AND FINISHES(PLATING SPECIFICATION)  
: SEE TABLE 1, TABLE 2
- ② 嵌合相手 : 505565シリーズ  
MATE WITH: 505565SERIES
- ③ 偶数極 に適用  
APPLY TO EVEN CIRCUIT.
- 4. 製品仕様書 : 5055650002 PS 000  
PRODUCT SPECIFICATION:5055650002 PS 000
- ⑤ 発注番号 : SHEET 5 参照  
ORDER NUMBER : PLEASE REFER TO SHEET 5

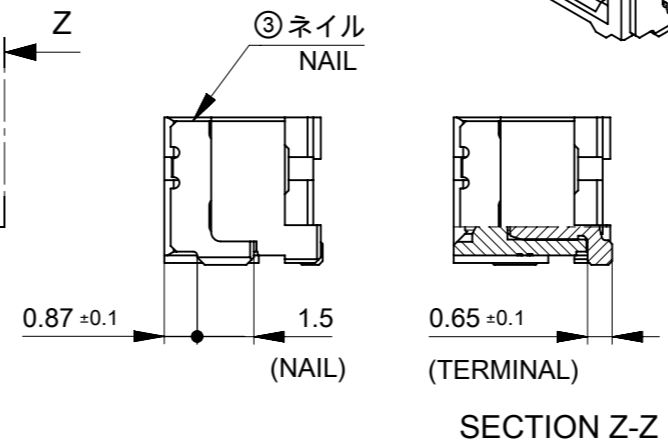
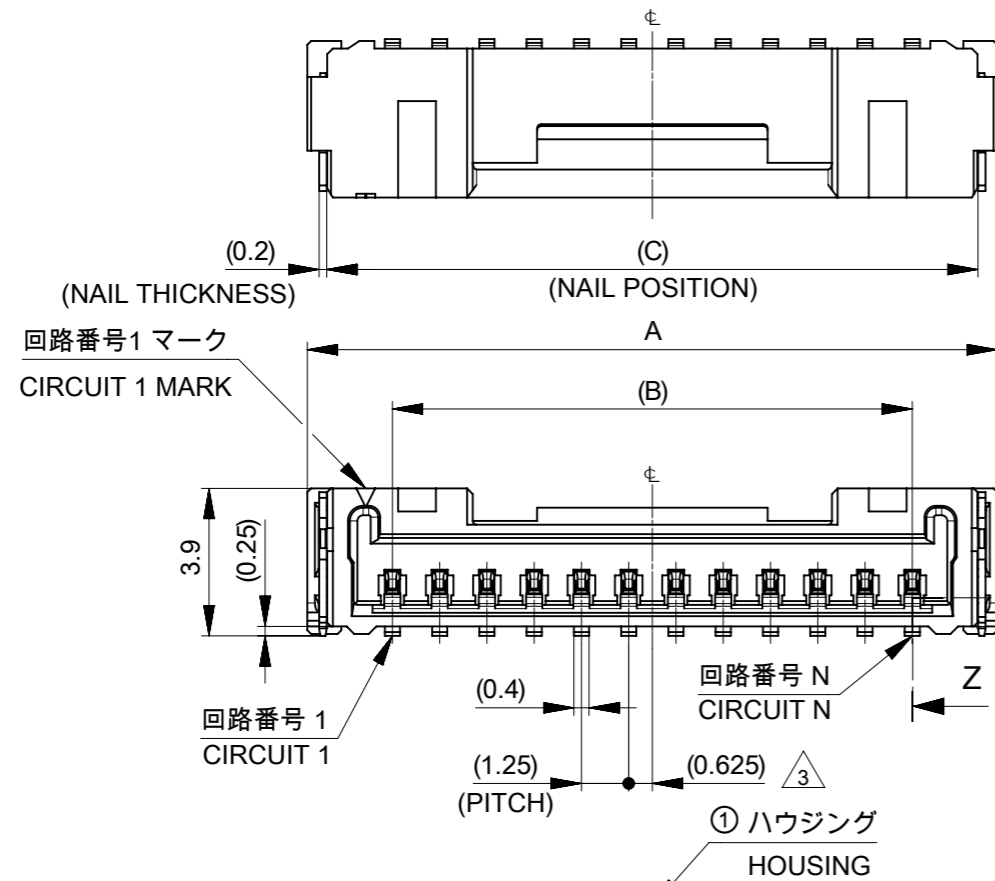
505567 \*\*\*

極数  
CIRCUIT SIZE

| 番号<br>NO. | 接点部 金めっき厚<br>CONTACT<br>GOLD PLATING THICKNESS<br>[MICROMETER MINIMUM] |
|-----------|--|
| 8         | 0.1  |
| 3         | 0.38   |
| 5         | 0.76   |

| 番号<br>NO. | ハウジングカラー<br>HOUSING COLOR     |
|-----------|-------------------------------|
| 0         | ナチュラル(ベージュ)<br>NATURAL(BEIGE) |
| 1         | 黒 BLACK                       |
| 2         | 赤 RED                         |
| 3         | 黄 YELLOW                      |
| 4         | 青 BLUE                        |
| 6         | 緑 GREEN                       |
| 8         | 橙 ORANGE                      |

- 6. ターミナルとネイルの平坦度は0.1mm以下  
TERMINAL AND NAIL COPLANARITY : 0.1mm MAXIMUM.
- 7. コネクタ取扱説明書 : 5055650000-AS PS 000  
APPLICATION SPECIFICATION : 5055650000-AS PS 000



奇数キャビティ : キャビティ番号及び金型番号  
偶数キャビティ : トレードマーク  
ODD CAVITY:CAVITY AND MOLD NUMBER  
EVEN CAVITY:TRADE MARK

奇数キャビティ : トレードマーク  
偶数キャビティ : キャビティ番号及び金型番号  
ODD CAVITY:TRADE MARK  
EVEN CAVITY:CAVITY AND MOLD NUMBER

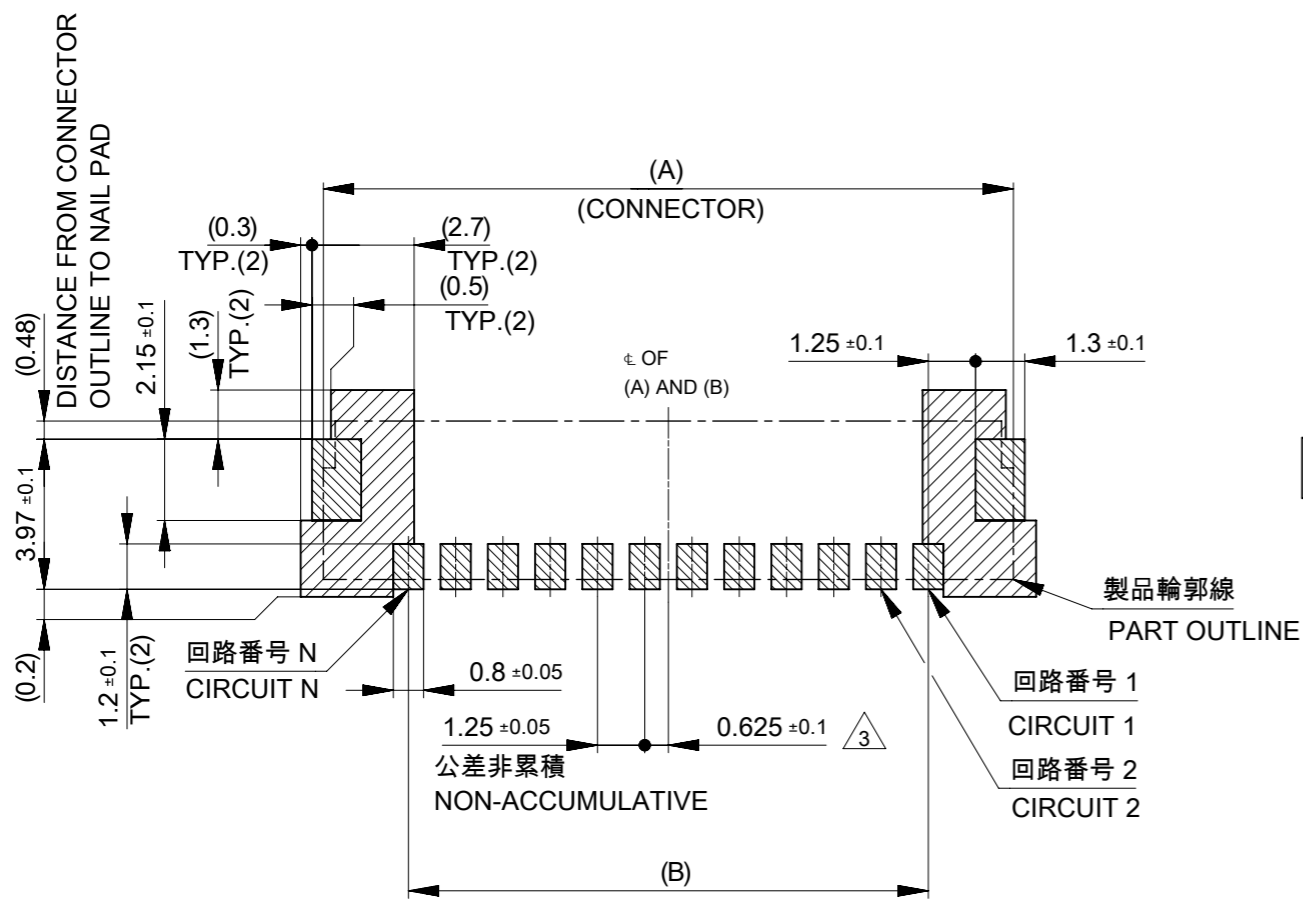
① TABLE 1

| 番号<br>NO. | 部品<br>PART        | 材質<br>MATERIAL  |
|-----------|-------------------|---|
| ①         | ハウジング<br>HOUSING  | ポリアミド(PA),ガラス充填,UL94 V-0,色 : SHEET 5参照<br>POLYAMIDE (PA),GLASS FILLED,UL94 V-0,COLOR:SEE SHEET 5  |
| ②         | ターミナル<br>TERMINAL | 黄銅<br>BRASS   |
|           |                   | 接点部 : 金めっき めっき厚は注記5参照<br>CONTACT : GOLD PLATING<br>PLATING THICKNESS : SEE NOTE 5.<br>ニッケルめっき(下地めっき) : 1.0 MICROMETER MINIMUM<br>NICKEL PLATING (UNDER PLATING) |
| ③         | ネイル<br>NAIL       | 黄銅<br>BRASS   |
|           |                   | 錫めっき : 1.0 MICROMETER MINIMUM<br>MATTE TIN PLATING<br>ニッケルめっき(下地めっき) : 1.0 MICROMETER MINIMUM<br>NICKEL PLATING (UNDER PLATING)                                 |

|      |      |      |                                    |      |       |       |       |                    |
|------|------|------|------------------------------------|------|-------|-------|-------|--------------------|
| 49.4 | 45.4 | 20.2 | 44±0.3                             | 10.7 | 22.2  | 18.75 | 23.25 | 16                 |
|      |      |      |                                    |      | 20.95 | 17.5  | 22    | 15                 |
|      |      |      |                                    |      | 19.7  | 16.25 | 20.75 | 14                 |
| 37.4 | 33.4 | 14.2 | 32±0.3                             | 9.2  | 18.45 | 15    | 19.5  | 13                 |
|      |      |      |                                    |      | 17.2  | 13.75 | 18.25 | 12                 |
|      |      |      |                                    |      | 15.95 | 12.5  | 17    | 11                 |
|      |      |      |                                    |      | 14.7  | 11.25 | 15.75 | 10                 |
| 29.4 | 25.4 | 11.5 | 24 <sup>+0.3</sup> <sub>-0.1</sub> | 6.7  | 13.45 | 10    | 14.5  | 9                  |
|      |      |      |                                    |      | 12.2  | 8.75  | 13.25 | 8                  |
|      |      |      |                                    |      | 10.95 | 7.5   | 12    | 7                  |
|      |      |      |                                    |      | 6.6   | 9.7   | 6.25  | 10.75              |
|      |      |      |                                    |      | 5.35  | 8.45  | 5     | 9.5                |
|      |      |      |                                    |      | 4.1   | 7.2   | 3.75  | 8.25               |
| 21.4 | 17.4 | 7.5  | 16 <sup>+0.3</sup> <sub>-0.1</sub> | 2.85 | 5.95  | 2.5   | 7     | 3                  |
|      |      |      |                                    |      | 1.9   | 4.7   | 1.25  | 5.75               |
| H    | G    | F    | E                                  | D    | C     | B     | A     | 極数<br>CIRCUIT SIZE |

THIS DRAWING CONTAINS INFORMATION THAT IS PROPRIETARY TO MOLEX ELECTRONIC TECHNOLOGIES, LLC AND SHOULD NOT BE USED WITHOUT WRITTEN PERMISSION

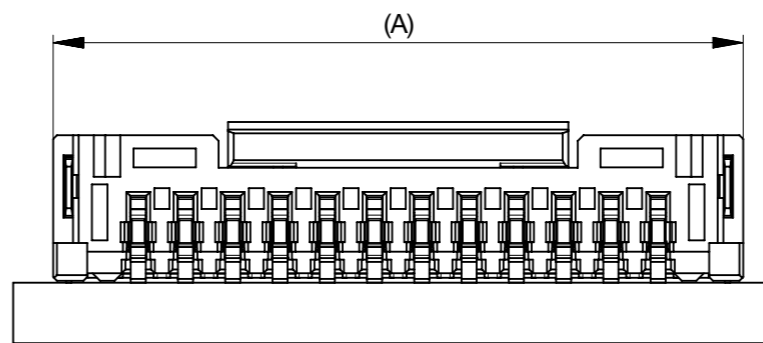
|  |                |                              |  |          |                     |          |
|--|----------------|------------------------------|--|----------|---------------------|----------|
| DIMENSION UNITS<br>mm                                | SCALE<br>NTS   | CURRENT REV DESC:            | <b>molex</b>   |          |                     |          |
| GENERAL TOLERANCES (UNLESS SPECIFIED)                |                |                              |  |          |                     |          |
| ANGULAR TOL ± 3.0°                                   | 4 PLACES ± 0.2 | EC NO: 736271                | MICRO-LOCK PLUS 1.25 W/B<br>SINGLE ROW RIGHT ANGLE SMT PLUG ASSEMBLY<br>GOLD PLATING |          |                     |          |
| 3 PLACES ± 0.2                                       | 2 PLACES ± 0.2 | DRWN: SOKUMURA01 2022/12/27  |  |          |                     |          |
| 1 PLACE ± 0.2  | 0 PLACES ± 0.2 | CHK'D: SAKIYAMA 2023/02/16   | PRODUCT CUSTOMER DRAWING   |          |                     |          |
| DRAFT WHERE APPLICABLE MUST REMAIN WITHIN DIMENSIONS |                | APPR: AIDA 2023/02/16        |  |          |                     |          |
| THIRD ANGLE PROJECTION                               |                | INITIAL REVISION:            | DOCUMENT NUMBER  | DOC TYPE | DOC PART            | REVISION |
| DRAWING A3-SIZE                                      |                | DRWN: RWATANABE01 2017/11/28 | 5055670010-SD  | PSD      | 000                 | D        |
| SERIES 505567  |                | APPR: TKANEKO 2017/12/06     | CUSTOMER GENERAL   |          | SHEET NUMBER 1 OF 5 |          |



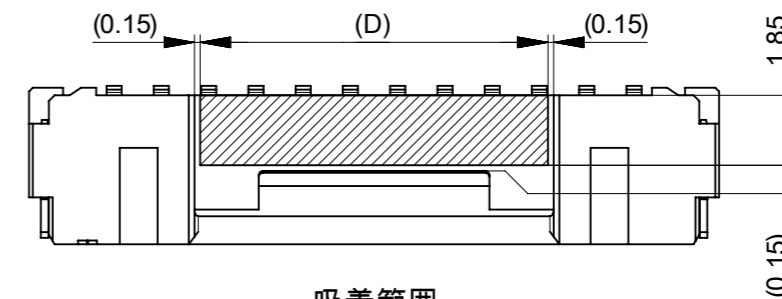
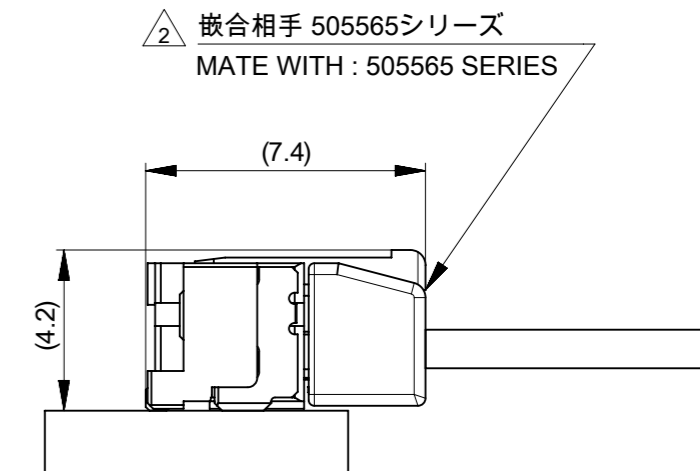
**推奨基板レイアウト**  
**RECOMMENDED PCB PATTERN LAYOUT**

(参考: 基板厚1.6mm, メタルマスク厚さ 0.15mm, マスク開口率 100%)  
 (REFERENCE: PCB THICKNESS 1.6mm, STENCIL THICKNESS 0.15mm, APERTURE RATIO 100%)

**パターン非推奨エリア**  
 パターンを引き回す際は、製品機能に影響がないことをご確認ください。  
 PATTERN IS NOT RECOMMENDED ON THE HATCHING AREA  
 PLEASE CHECK NOT TO HAVE PROBLEM FOR PRODUCT FUNCTION  
 WHEN SETTING PATTERN ON THE HATCHING AREA.



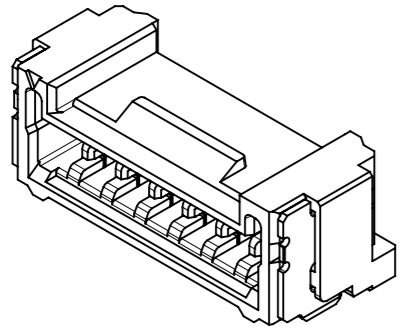
**嵌合状態図**  
**MATED CONNECTORS**



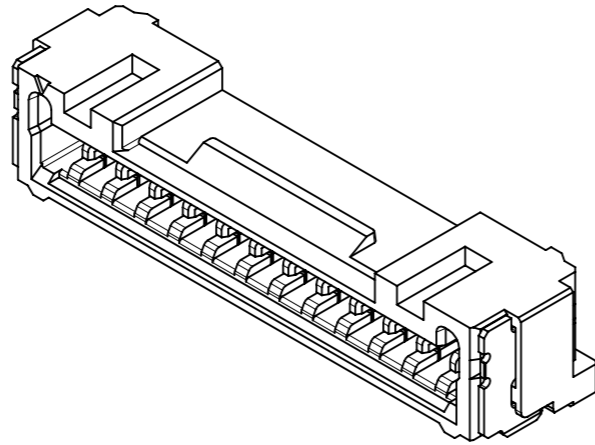
**吸着範囲**  
**SUCTION AREA**

|   |  |                        |  |  |  |                   |  |                                       |  |                |  |                 |  |                |  |
|---|--|------------------------|--|--|--|-------------------|--|---------------------------------------|--|----------------|--|-----------------|--|----------------|--|
| THIS DRAWING CONTAINS INFORMATION THAT IS PROPRIETARY TO MOLEX ELECTRONIC TECHNOLOGIES, LLC AND SHOULD NOT BE USED WITHOUT WRITTEN PERMISSION |  |                        |  |  |  |                   |  |                                       |  |                |  |                 |  |                |  |
| DIMENSION UNITS   |  | SCALE                  |  | CURRENT REV DESC:  |  |                   |  |                                       |  |                |  |                 |  |                |  |
| mm  |  | NTS                    |  | <b>molex</b><br>MICRO-LOCK PLUS 1.25 W/B<br>SINGLE ROW RIGHT ANGLE SMT PLUG ASSEMBLY<br>GOLD PLATING<br>PRODUCT CUSTOMER DRAWING |  |                   |  |                                       |  |                |  |                 |  |                |  |
| GENERAL TOLERANCES (UNLESS SPECIFIED)   |  |                        |  |  |  |                   |  |                                       |  |                |  |                 |  |                |  |
| ANGULAR TOL ± 3.0 °   |  |                        |  |  |  |                   |  |                                       |  |                |  |                 |  |                |  |
| 4 PLACES ± 0.2  |  | 3 PLACES ± 0.2         |  |  |  |                   |  |                                       |  | 2 PLACES ± 0.2 |  | 1 PLACE ± 0.2   |  | 0 PLACES ± 0.2 |  |
| EC NO: 736271   |  | DRWN: SOKUMURA01       |  |  |  |                   |  |                                       |  | 2022/12/27     |  | CHK'D: SAKIYAMA |  | 2023/02/16     |  |
| APPR: AIDA  |  | 2023/02/16             |  | INITIAL REVISION:  |  | DRWN: RWATANABE01 |  | 2017/11/28                            |  |                |  |                 |  |                |  |
| APPR: TKANEKO   |  | 2017/12/06             |  | DOCUMENT NUMBER  |  | 5055670010-SD     |  | DOC TYPE DOC PART REVISION            |  |                |  |                 |  |                |  |
| DRAFT WHERE APPLICABLE MUST REMAIN WITHIN DIMENSIONS  |  | THIRD ANGLE PROJECTION |  | DRAWING  |  | SERIES            |  | MATERIAL NUMBER CUSTOMER SHEET NUMBER |  |                |  |                 |  |                |  |
|   |  | A3-SIZE                |  | 505567   |  | SEE SHEET 5       |  | GENERAL 2 OF 5                        |  |                |  |                 |  |                |  |

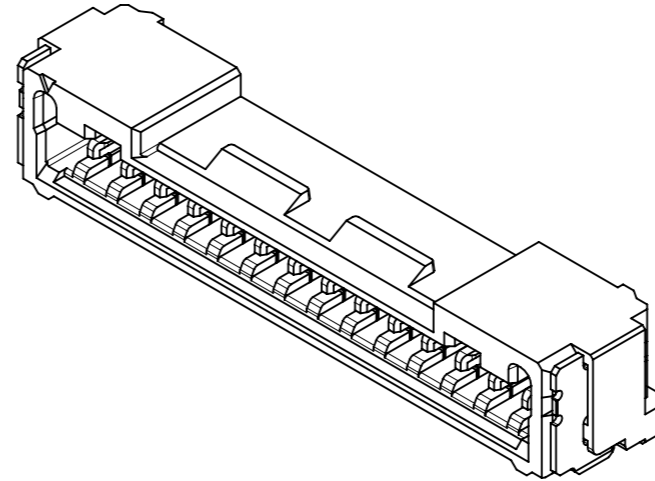
製品形状  
PRODUCT SHAPE



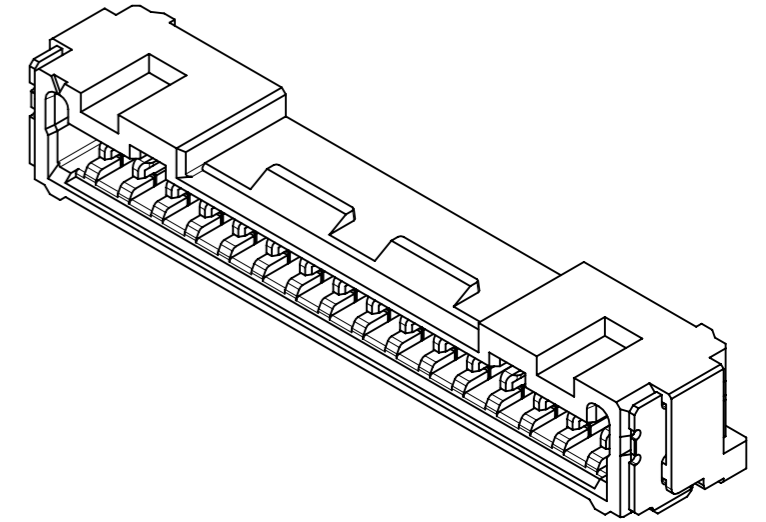
2-11極  
2-11 CIRCUIT



12-13極  
12-13 CIRCUIT

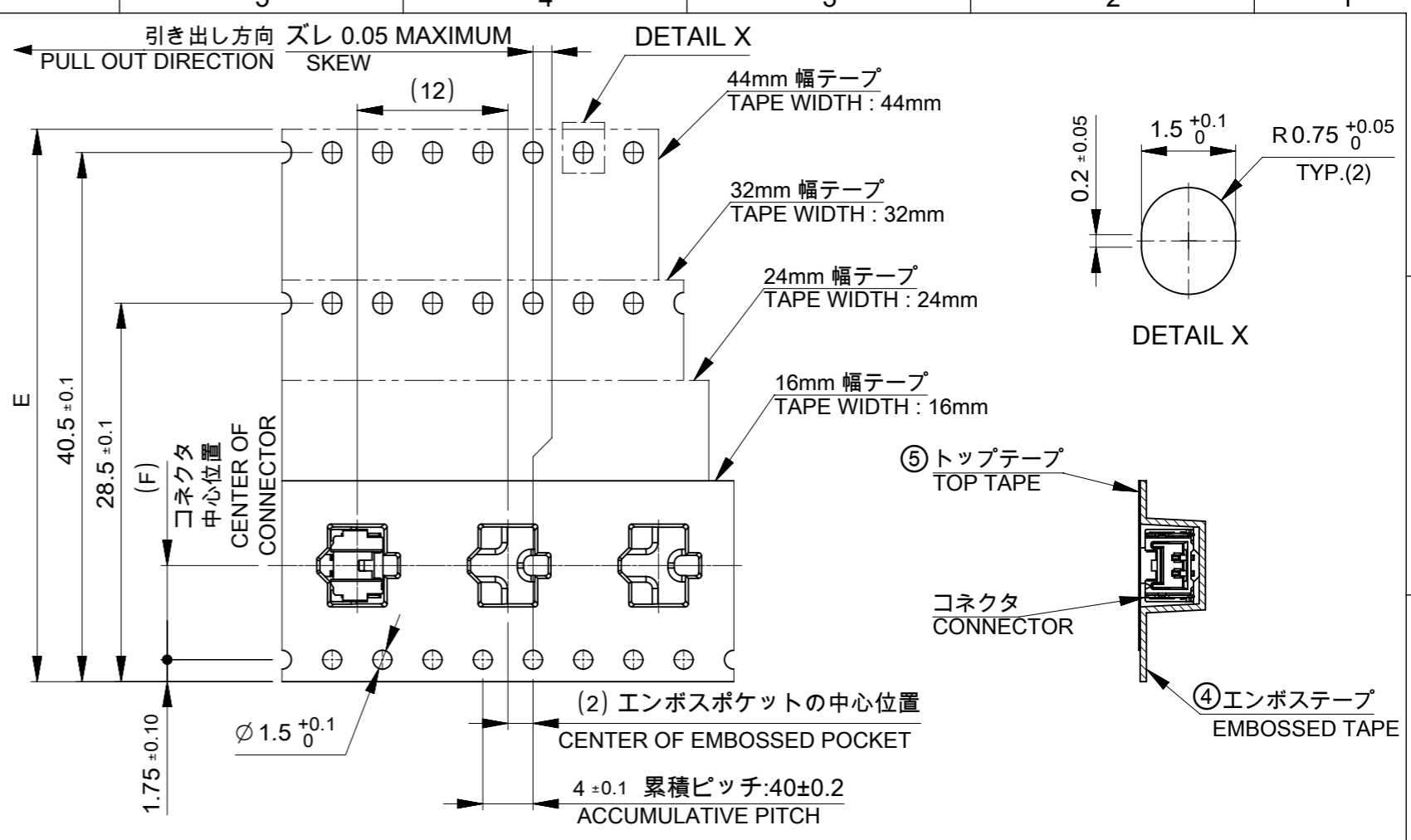
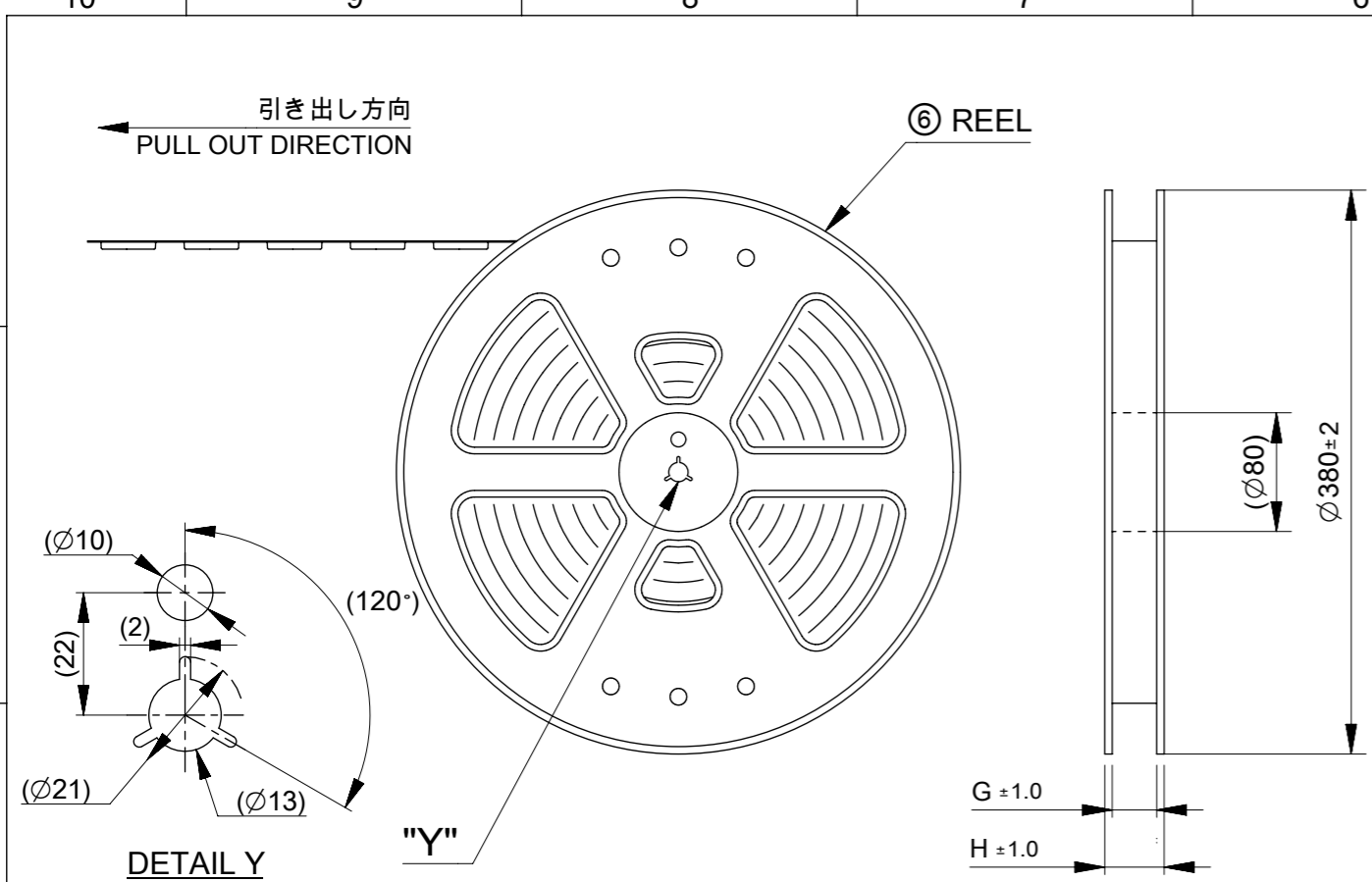


14極  
14 CIRCUIT



15-16極  
15-16 CIRCUIT

|   |                              |                             |        |                          |  |          |          |              |  |
|---|------------------------------|-----------------------------|--------|--------------------------|--|----------|----------|--------------|--|
| THIS DRAWING CONTAINS INFORMATION THAT IS PROPRIETARY TO MOLEX ELECTRONIC TECHNOLOGIES, LLC AND SHOULD NOT BE USED WITHOUT WRITTEN PERMISSION |                              |                             |        |                          |  |          |          |              |  |
| DIMENSION UNITS   | SCALE                        | CURRENT REV DESC:           |        |                          |  |          |          |              |  |
| mm  | NTS                          |                             |        |                          |  |          |          |              |  |
| GENERAL TOLERANCES (UNLESS SPECIFIED)   |                              | EC NO: 736271               |        |                          | MICRO-LOCK PLUS 1.25 W/B<br>SINGLE ROW RIGHT ANGLE SMT PLUG ASSEMBLY<br>GOLD PLATING |          |          |              |  |
| ANGULAR TOL ± 3.0 °   |                              | DRWN: SOKUMURA01 2022/12/27 |        |                          |  |          |          |              |  |
| 4 PLACES ± 0.2  | CHK'D: SAKIYAMA 2023/02/16   |                             |        | PRODUCT CUSTOMER DRAWING |  |          |          |              |  |
| 3 PLACES ± 0.2  | APPR: AIDA 2023/02/16        |                             |        |                          |  |          |          |              |  |
| 2 PLACES ± 0.2  | INITIAL REVISION:            |                             |        | DOCUMENT NUMBER          |  | DOC TYPE | DOC PART | REVISION     |  |
| 1 PLACE ± 0.2   | DRWN: RWATANABE01 2017/11/28 |                             |        | 5055670010-SD            |  | PSD      | 000      | D            |  |
| 0 PLACES ± 0.2  | APPR: TKANEKO 2017/12/06     |                             |        | MATERIAL NUMBER          |  | CUSTOMER |          | SHEET NUMBER |  |
| DRAFT WHERE APPLICABLE MUST REMAIN WITHIN DIMENSIONS  | THIRD ANGLE PROJECTION       | DRAWING                     | SERIES | SEE SHEET 5              |  | GENERAL  |          | 3 OF 5       |  |



注記 NOTES

- 8. 梱包数量 : 1200個 / リール  
NUMBER OF CONNECTORS : 1200 PCS/REEL.
  - 9. リードテープ長さ LEAD TAPE LENGTH.
- 
- 10. トップテープの剥離強度はIEC60286-3に準拠  
TOP TAPE PEELING FORCE IS DEFINED BY IEC60286-3.
  - 11. 梱包仕様書 : 5055679200 PS 200  
PACKING SPECIFICATION : 5055679200 PS 200

TABLE 2

| 番号 NO. | 部品 PART                   | 材質 MATERIAL   |
|--------|---------------------------|---|
| ④      | エンボステープ<br>EMBOSSSED TAPE | ポリスチレン(PS)<br>POLYSTYRENE(PS)   |
| ⑤      | トップテープ<br>TOP TAPE        | ポリエチレン(PE), その他<br>POLYETHYLENE(PE), ETC                                |
| ⑥      | リール<br>REEL               | ポリスチレン(PS) <リサイクル材を含む><br>POLYSTYRENE(PS) <RECYCLE MATERIAL CONTAINED > |

|   |         |                              |  |  |  |
|---|---------|------------------------------|--|--|--|
| THIS DRAWING CONTAINS INFORMATION THAT IS PROPRIETARY TO MOLEX ELECTRONIC TECHNOLOGIES, LLC AND SHOULD NOT BE USED WITHOUT WRITTEN PERMISSION |         | CURRENT REV DESC:            |  | <b>molex</b>   |  |
| DIMENSION UNITS   | SCALE   |                              |  |  |  |
| mm  | NTS     |                              |  | MICRO-LOCK PLUS 1.25 W/B<br>SINGLE ROW RIGHT ANGLE SMT PLUG ASSEMBLY<br>GOLD PLATING |  |
| GENERAL TOLERANCES (UNLESS SPECIFIED)   |         |                              |  | PRODUCT CUSTOMER DRAWING   |  |
| ANGULAR TOL   | ± 3.0 ° |                              |  | DOCUMENT NUMBER  |  |
| 4 PLACES  | ± 0.2   | EC NO: 736271                |  | 5055670010-SD  |  |
| 3 PLACES  | ± 0.2   | DRWN: SOKUMURA01 2022/12/27  |  | DOC TYPE   |  |
| 2 PLACES  | ± 0.2   | CHK'D: SAKIYAMA 2023/02/16   |  | PSD  |  |
| 1 PLACE   | ± 0.2   | APPR: AIDA 2023/02/16        |  | DOC PART   |  |
| 0 PLACES  | ± 0.2   | INITIAL REVISION:            |  | 000  |  |
| DRAFT WHERE APPLICABLE MUST REMAIN WITHIN DIMENSIONS  |         | DRWN: RWATANABE01 2017/11/28 |  | D  |  |
| THIRD ANGLE PROJECTION  |         | APPR: TKANEKO 2017/12/06     |  | REVISION   |  |
| DRAWING   |         | SERIES                       |  | SHEET NUMBER   |  |
| A3-SIZE   |         | 505567                       |  | 4 OF 5   |  |
| MATERIAL NUMBER   |         | CUSTOMER                     |  |  |  |
| SEE SHEET 5   |         | GENERAL                      |  |  |  |

△ 505567\*\*8\*発注番号一覧 ORDER NUMBER LIST


| ORANGE   | GREEN      | BLUE       | YELLOW     | RED        | BLACK      | NATURAL (BEIGE) | HOUSING COLOR      |
|--|------------|------------|------------|------------|------------|-----------------|--------------------|
| 5055671688   | 5055671686 | 5055671684 | 5055671683 | 5055671682 | 5055671681 | 5055671680      | 16                 |
| 5055671588   | 5055671586 | 5055671584 | 5055671583 | 5055671582 | 5055671581 | 5055671580      | 15                 |
| 5055671488   | 5055671486 | 5055671484 | 5055671483 | 5055671482 | 5055671481 | 5055671480      | 14                 |
| 5055671388   | 5055671386 | 5055671384 | 5055671383 | 5055671382 | 5055671381 | 5055671380      | 13                 |
| 5055671288   | 5055671286 | 5055671284 | 5055671283 | 5055671282 | 5055671281 | 5055671280      | 12                 |
| 5055671188   | 5055671186 | 5055671184 | 5055671183 | 5055671182 | 5055671181 | 5055671180      | 11                 |
| 5055671088   | 5055671086 | 5055671084 | 5055671083 | 5055671082 | 5055671081 | 5055671080      | 10                 |
| 5055670988   | 5055670986 | 5055670984 | 5055670983 | 5055670982 | 5055670981 | 5055670980      | 9                  |
| 5055670888   | 5055670886 | 5055670884 | 5055670883 | 5055670882 | 5055670881 | 5055670880      | 8                  |
| 5055670788   | 5055670786 | 5055670784 | 5055670783 | 5055670782 | 5055670781 | 5055670780      | 7                  |
| 5055670688   | 5055670686 | 5055670684 | 5055670683 | 5055670682 | 5055670681 | 5055670680      | 6                  |
| 5055670588   | 5055670586 | 5055670584 | 5055670583 | 5055670582 | 5055670581 | 5055670580      | 5                  |
| 5055670488   | 5055670486 | 5055670484 | 5055670483 | 5055670482 | 5055670481 | 5055670480      | 4                  |
| 5055670388   | 5055670386 | 5055670384 | 5055670383 | 5055670382 | 5055670381 | 5055670380      | 3                  |
| 5055670288   | 5055670286 | 5055670284 | 5055670283 | 5055670282 | 5055670281 | 5055670280      | 2                  |
| 発注番号 : ORDER NUMBER                                    |            |            |            |            |            |                 | 極数<br>CIRCUIT SIZE |
| 梱包形態 : エンボステープ梱包<br>PACKAGING : EMBOSSED TAPE AND REEL |            |            |            |            |            |                 |                    |

△ 505567\*\*5\*発注番号一覧 ORDER NUMBER LIST

| ORANGE   | GREEN      | BLUE       | YELLOW     | RED        | BLACK      | NATURAL (BEIGE) | HOUSING COLOR      |
|--|------------|------------|------------|------------|------------|-----------------|--------------------|
| 5055671658   | 5055671656 | 5055671654 | 5055671653 | 5055671652 | 5055671651 | 5055671650      | 16                 |
| 5055671558   | 5055671556 | 5055671554 | 5055671553 | 5055671552 | 5055671551 | 5055671550      | 15                 |
| 5055671458   | 5055671456 | 5055671454 | 5055671453 | 5055671452 | 5055671451 | 5055671450      | 14                 |
| 5055671358   | 5055671356 | 5055671354 | 5055671353 | 5055671352 | 5055671351 | 5055671350      | 13                 |
| 5055671258   | 5055671256 | 5055671254 | 5055671253 | 5055671252 | 5055671251 | 5055671250      | 12                 |
| 5055671158   | 5055671156 | 5055671154 | 5055671153 | 5055671152 | 5055671151 | 5055671150      | 11                 |
| 5055671058   | 5055671056 | 5055671054 | 5055671053 | 5055671052 | 5055671051 | 5055671050      | 10                 |
| 5055670958   | 5055670956 | 5055670954 | 5055670953 | 5055670952 | 5055670951 | 5055670950      | 9                  |
| 5055670858   | 5055670856 | 5055670854 | 5055670853 | 5055670852 | 5055670851 | 5055670850      | 8                  |
| 5055670758   | 5055670756 | 5055670754 | 5055670753 | 5055670752 | 5055670751 | 5055670750      | 7                  |
| 5055670658   | 5055670656 | 5055670654 | 5055670653 | 5055670652 | 5055670651 | 5055670650      | 6                  |
| 5055670558   | 5055670556 | 5055670554 | 5055670553 | 5055670552 | 5055670551 | 5055670550      | 5                  |
| 5055670458   | 5055670456 | 5055670454 | 5055670453 | 5055670452 | 5055670451 | 5055670450      | 4                  |
| 5055670358   | 5055670356 | 5055670354 | 5055670353 | 5055670352 | 5055670351 | 5055670350      | 3                  |
| 5055670258   | 5055670256 | 5055670254 | 5055670253 | 5055670252 | 5055670251 | 5055670250      | 2                  |
| 発注番号 : ORDER NUMBER                                    |            |            |            |            |            |                 | 極数<br>CIRCUIT SIZE |
| 梱包形態 : エンボステープ梱包<br>PACKAGING : EMBOSSED TAPE AND REEL |            |            |            |            |            |                 |                    |

△ 505567\*\*3\*発注番号一覧 ORDER NUMBER LIST

| ORANGE   | GREEN      | BLUE       | YELLOW     | RED        | BLACK      | NATURAL (BEIGE) | HOUSING COLOR      |
|--|------------|------------|------------|------------|------------|-----------------|--------------------|
| 5055671638   | 5055671636 | 5055671634 | 5055671633 | 5055671632 | 5055671631 | 5055671630      | 16                 |
| 5055671538   | 5055671536 | 5055671534 | 5055671533 | 5055671532 | 5055671531 | 5055671530      | 15                 |
| 5055671438   | 5055671436 | 5055671434 | 5055671433 | 5055671432 | 5055671431 | 5055671430      | 14                 |
| 5055671338   | 5055671336 | 5055671334 | 5055671333 | 5055671332 | 5055671331 | 5055671330      | 13                 |
| 5055671238   | 5055671236 | 5055671234 | 5055671233 | 5055671232 | 5055671231 | 5055671230      | 12                 |
| 5055671138   | 5055671136 | 5055671134 | 5055671133 | 5055671132 | 5055671131 | 5055671130      | 11                 |
| 5055671038   | 5055671036 | 5055671034 | 5055671033 | 5055671032 | 5055671031 | 5055671030      | 10                 |
| 5055670938   | 5055670936 | 5055670934 | 5055670933 | 5055670932 | 5055670931 | 5055670930      | 9                  |
| 5055670838   | 5055670836 | 5055670834 | 5055670833 | 5055670832 | 5055670831 | 5055670830      | 8                  |
| 5055670738   | 5055670736 | 5055670734 | 5055670733 | 5055670732 | 5055670731 | 5055670730      | 7                  |
| 5055670638   | 5055670636 | 5055670634 | 5055670633 | 5055670632 | 5055670631 | 5055670630      | 6                  |
| 5055670538   | 5055670536 | 5055670534 | 5055670533 | 5055670532 | 5055670531 | 5055670530      | 5                  |
| 5055670438   | 5055670436 | 5055670434 | 5055670433 | 5055670432 | 5055670431 | 5055670430      | 4                  |
| 5055670338   | 5055670336 | 5055670334 | 5055670333 | 5055670332 | 5055670331 | 5055670330      | 3                  |
| 5055670238   | 5055670236 | 5055670234 | 5055670233 | 5055670232 | 5055670231 | 5055670230      | 2                  |
| 発注番号 : ORDER NUMBER                                    |            |            |            |            |            |                 | 極数<br>CIRCUIT SIZE |
| 梱包形態 : エンボステープ梱包<br>PACKAGING : EMBOSSED TAPE AND REEL |            |            |            |            |            |                 |                    |

|   |  |       |  |  |  |        |  |   |  |              |  |          |  |
|---|--|-------|--|--|--|--------|--|---|--|--------------|--|----------|--|
| THIS DRAWING CONTAINS INFORMATION THAT IS PROPRIETARY TO MOLEX ELECTRONIC TECHNOLOGIES, LLC AND SHOULD NOT BE USED WITHOUT WRITTEN PERMISSION |  |       |  |  |  |        |  |   |  |              |  |          |  |
| DIMENSION UNITS   |  | SCALE |  | CURRENT REV DESC:  |  |        |  |  |  |              |  |          |  |
| mm  |  | NTS   |  |  |  |        |  |   |  |              |  |          |  |
| GENERAL TOLERANCES (UNLESS SPECIFIED)   |  |       |  | EC NO: 736271<br>DRWN: SOKUMURA01 2022/12/27<br>CHK'D: SAKIYAMA 2023/02/16<br>APPR: AIDA 2023/02/16<br>INITIAL REVISION:<br>DRWN: RWATANABE01 2017/11/28<br>APPR: TKANEKO 2017/12/06 |  |        |  | MICRO-LOCK PLUS 1.25 W/B<br>SINGLE ROW RIGHT ANGLE SMT PLUG ASSEMBLY<br>GOLD PLATING  |  |              |  |          |  |
| ANGULAR TOL ± 3.0 °   |  |       |  |  |  |        |  | PRODUCT CUSTOMER DRAWING  |  |              |  |          |  |
| 4 PLACES ± 0.2  |  |       |  |  |  |        |  | DOCUMENT NUMBER   |  | DOC TYPE     |  | DOC PART |  |
| 3 PLACES ± 0.2  |  |       |  |  |  |        |  | 5055670010-SD   |  | PSD          |  | 000      |  |
| 2 PLACES ± 0.2  |  |       |  |  |  |        |  |   |  |              |  | D        |  |
| 1 PLACE ± 0.2   |  |       |  | MATERIAL NUMBER  |  |        |  | CUSTOMER  |  | SHEET NUMBER |  |          |  |
| 0 PLACES ± 0.2  |  |       |  | A3-SIZE  |  | 505567 |  | SEE CHART   |  | GENERAL      |  |          |  |
| DRAFT WHERE APPLICABLE MUST REMAIN WITHIN DIMENSIONS  |  |       |  | THIRD ANGLE PROJECTION   |  |        |  |   |  | 5 OF 5       |  |          |  |