



COAXIAL

Termination

ANNE-50L+

50Ω DC to 12000 MHz SMA-Male

FEATURES

- Wideband Coverage, DC to 12000 MHz
- Rugged Construction



Generic photo used for illustration purposes only

Model No.	ANNE-50L+
Case Style	LL561
Connectors	SMA-Male

APPLICATIONS

- Cellular Communications
- Satellite Communications

+RoHS Compliant

The +Suffix identifies RoHS Compliance.
See our website for methodologies and qualifications

ELECTRICAL SPECIFICATIONS $T_{AMB}=25^{\circ}C$

Parameter	Condition (MHz)	Min.	Typ.	Max.	Unit
Frequency Range		DC		12000	MHz
Impedance		50			Ohms
Return Loss	DC- 4000	26	-	-	dB
	4000 - 8000	21	-	-	
	8000 - 12000	18	-	-	
Input Power ¹		-	-	1.0	W

1. To 100°C, derate linearly to 325 mW at 100°C.

ABSOLUTE MAXIMUM RATINGS¹

Parameter	Ratings
Operating Temperature	-55 °C to +100 °C
Storage Temperature	-55 °C to +100 °C

1. Permanent damage may occur if any of these limits are exceeded.

REV. E
ECO-016342
ANNE-50L+
MCL NY
230106





COAXIAL

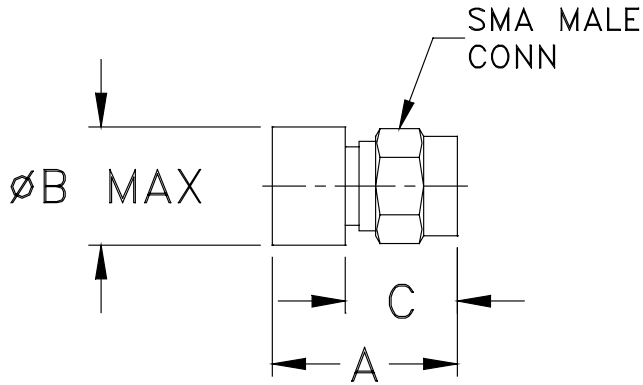
Termination

ANNE-50L+

Mini-Circuits

50Ω DC to 12000 MHz SMA-Male

OUTLINE DRAWING



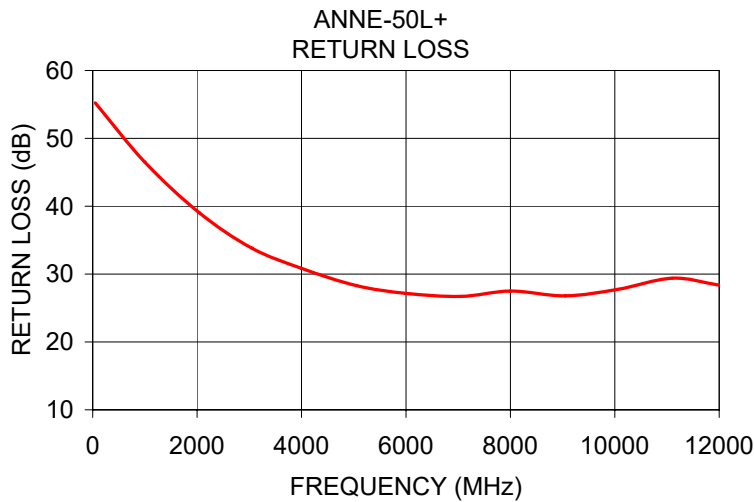
OUTLINE DIMENSIONS (Inch mm)

A	B	C	wt
0.58	0.37	0.35	grams
14.73	9.40	8.89	4.0



TYPICAL PERFORMANCE DATA

Frequency (MHz)	Return Loss (dB)
50	55.22
1000	46.47
2050	39.00
3050	33.81
4000	30.84
5050	28.31
6000	27.16
7050	26.71
8000	27.51
9050	26.79
10050	27.74
11100	29.40
12000	28.36



NOTES

- A. Performance and quality attributes and conditions not expressly stated in this specification document are intended to be excluded and do not form a part of this specification document.
- B. Electrical specifications and performance data contained in this specification document are based on Mini-Circuit's applicable established test performance criteria and measurement instructions.
- C. The parts covered by this specification document are subject to Mini-Circuits standard limited warranty and terms and conditions (collectively, "Standard Terms"); Purchasers of this part are entitled to the rights and benefits contained therein. For a full statement of the standard terms and the exclusive rights and remedies thereunder, please visit Mini-Circuits' website at www.minicircuits.com/terms/viewterm.html