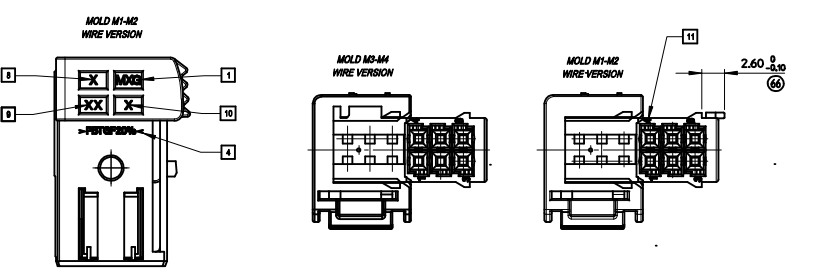
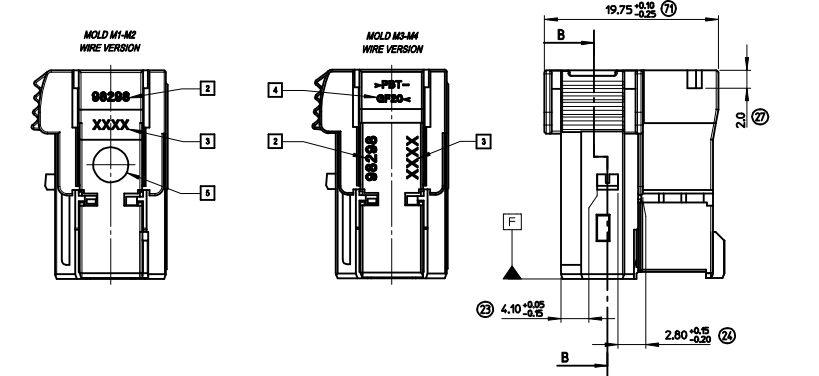


CODING	COLOR	DESCRIPTION	MATERIAL NUMBER
6	BLEU BLUE	BLUE HSG WIRE	0982980006
5	GRIS GREY	GREY HSG WIRE	0982980005
4	MARRON BROWN	BROWN HSG WIRE	0982980004
3	VERTE GREEN	GREEN HSG WIRE	0982980003
2	BLANCHE WHITE	WHITE HSG WIRE	0982980002
1	NOIR BLACK	BLACK HSG WIRE	0982980001



- NOTES:
- 1 Engineering control ID.
 - 2 Serie number.
 - 3 Part number.
 - 4 Material marking.
 - 5 Date indicator Year / Month.
 - 6 Applied to the Mold M1-M2. Date indicator Year.
 - 7 Applied to the Mold M3-M4. Date indicator Month.
 - 8 Mold cavity marking.
 - 9 Sales drawing revision level.
 - 10 Mold revision level.
 - 11 Cavity marking.

6 Add wire 1 mold M3-M4 base 098

F Add wire of the Mold M3 and M4. Locking nose level on M1-M2.

E1 2in mpo2 because 2.55 (4-22mm) use 2-inches. Specify dimension metric because 2.54 use 2mm.

E2 Update wire.

E3 Update coating.

E4 Update wire.

E5 Addition coating 5 and 6.

E6 Update coating.

E7 Preparing items for customer.

ISKD CODES CITE

INDICATION DIMENSIONS S.P.C
DENOTES S.P.C DIMENSIONS

INDICATION DIMENSIONS CRITIQUE
DENOTES CRITICAL DIMENSIONS

INDICATION DIMENSIONS FONCTIONNELLES
DENOTES FUNCTIONAL DIMENSIONS

QUANTITE PAR FEUILLE INDIVIDUELLE
QUANTITY PER INDIVIDUAL SHEET

1 - 0 - 9 ISKD - 0

REVISED

EC NO: 200910/23

CHKO: DRW/PPROQUAIN

APPR: 200910/23

QUALITY SYMBOLS

GENERAL TOLERANCES (UNLESS SPECIFIED)

	mm	INCH
4 PLACES	± 0.10	± 0.004
3 PLACES	± 0.15	± 0.006
2 PLACES	± 0.20	± 0.008
1 PLACE	± 0.30	± 0.012

ANGULAR ± 1°

DRAFT WHERE APPLICABLE MUST REMAIN WITHIN DIMENSIONS

DIMENSION STYLE
MM ONLY

SCALE
3.5:1

DESIGN UNITS
METRIC

FIRST ANGLE PROJECTION

DRAWN BY: PGRANDCL DATE: 2001/08/16

CHECKED BY: DATE: 2001/08/22

APPROVED BY: DATE: 2001/08/22

MATERIAL NO: LSTICEKI

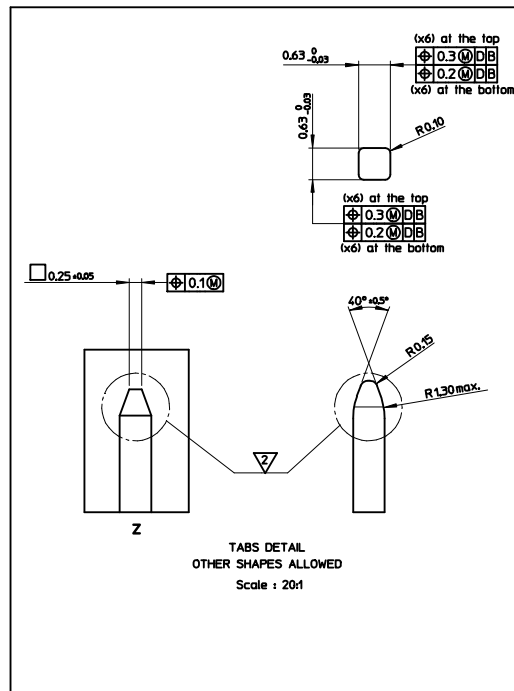
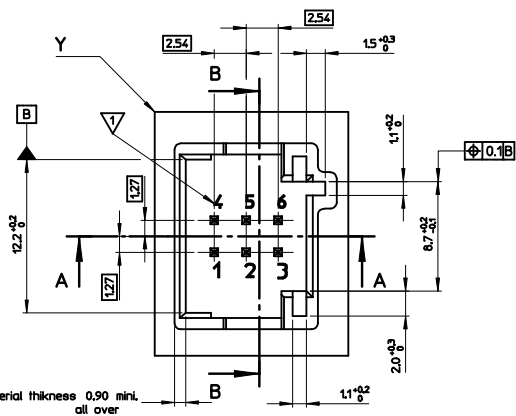
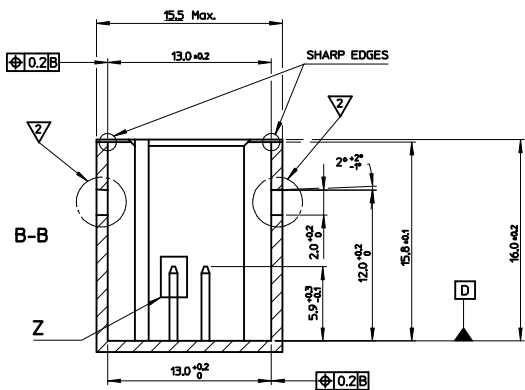
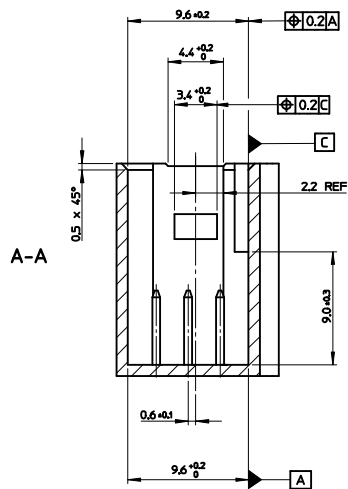
DOCUMENT NO: SD-98298-002

SHEET NO: 1 OF 1

6 WAY MOX OR
2X3 WAY BREAKABLE

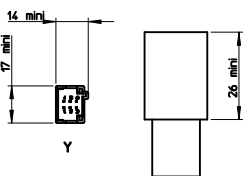
MOLEX INCORPORATED

THIS DRAWING CONTAINS INFORMATION THAT IS PROPRIETARY TO MOLEX INCORPORATED AND SHOULD NOT BE USED WITHOUT WRITTEN PERMISSION



CODING BOARD			
ORIGINALS		COMPLEMENTARY CODING	
BROWN		GREY	
GREEN		BLUE	
WHITE		MALE HOUSING NOT AVAILABLE FOR COMPLEMENTARY CODING MECHANICAL SETTINGS CAN BE DIFFERENT FROM ORIGINAL CODING TO COMPLEMENTARY ONES.	
BLACK			

AREA FOR CONNECTOR ASSEMBLY
Scale: 1:1



NOTES:

- CAVITY PREINT MUST NOT GET OUTSIDE THE BOTTOM OF THE PREINT
- NO BURR ADMITTED IN THAT AREA
- 3 RADIUS WITHOUT DIMENSIONS R=0.5 MAX

Recommended Plastic Material: >PBT-GF20<
Recommended Metal Material: CuSn6 or CuFe2
Plating: 0.84µm to 3.34µm minus of pure tin (Sn)
1.314µm mini Nickel (Ni) underlayer.

FIRST RELEASE EC NO: G2005-0319 DRAWING REVISIONS 2005/04/27 CHKD: JLDUCLOS 2005/04/27 APPROVAL: LSTICKEIR 2005/04/28	QUALITY SYMBOLS =0 =0	GENERAL TOLERANCES (UNLESS SPECIFIED)		DIMENSION STYLE MM ONLY		SCALE 5:1	DESIGN UNITS METRIC	FIRST ANGLE PROJECTION
		mm	INCH	DRAWN BY GDESBRUERES	DATE 2005/04/13	TITLE INTERFACE DRAWING MOX RCPT HSG DR 3CKT 98298 SERIES#	MATERIAL NO. SD-98298-003	
		4 PLACES ±---	±---	CHECKED BY JLDUCLOS	DATE 2005/04/15	MOLEX INCORPORATED		SHEET NO. 1 OF 1
		3 PLACES ±---	±---	APPROVED BY LSTICKEIR	DATE 2005/04/19	THIS DRAWING CONTAINS INFORMATION THAT IS PROPRIETARY TO MOLEX INCORPORATED AND SHOULD NOT BE USED WITHOUT WRITTEN PERMISSION		
		2 PLACES ±0.10	±---					
		1 PLACE ±0.2	±---					
		ANGULAR ±1/2°						
DRAFT WHERE APPLICABLE MUST REMAIN WITHIN DIMENSIONS		SIZE A 1						