

Customer Information Sheet

DRAWING No.: M80-4C104F1-22-000

SHEET 2 OF 2

IF IN DOUBT - ASK

©

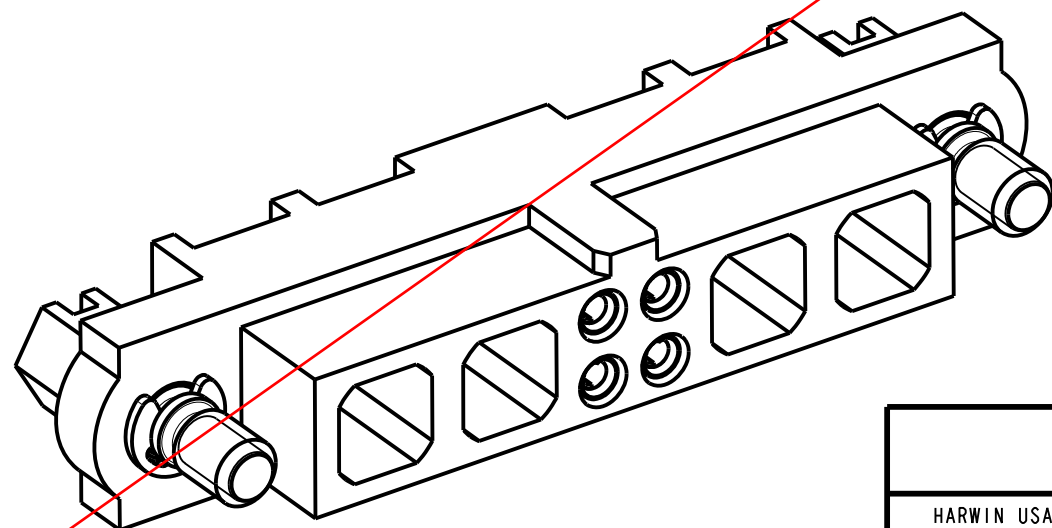
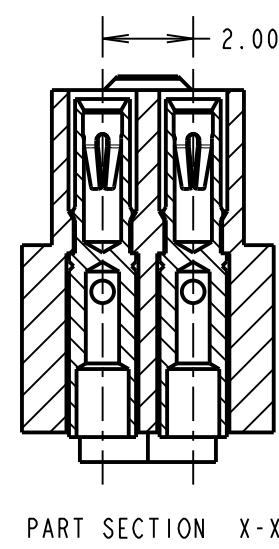
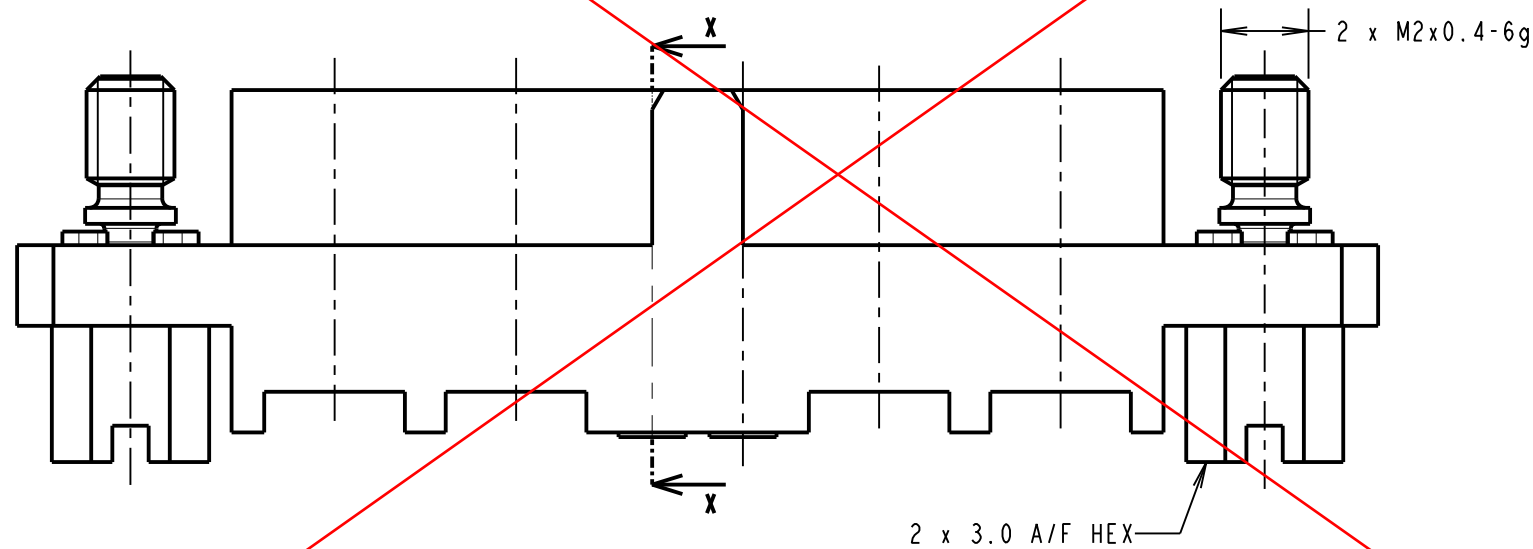
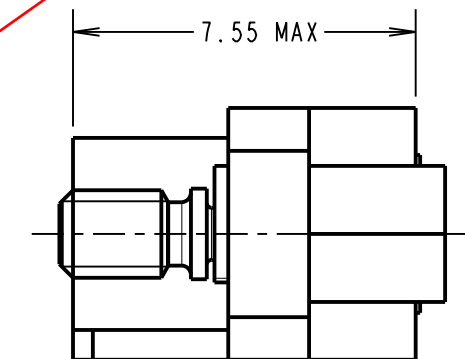
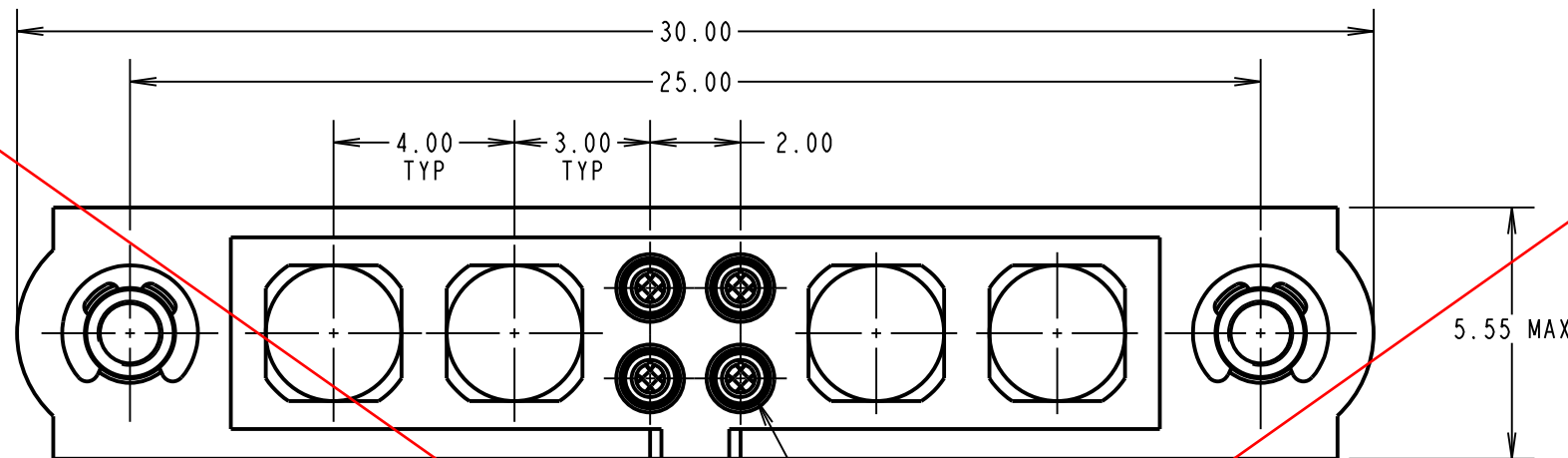
NOT TO SCALE

THIRD ANGLE PROJECTION

ALL DIMENSIONS IN mm

SPECIFICATIONS:
MATERIAL:
 MOULDING = GLASS-FILLED PPS, UL94V-0, BLACK
 CONTACT CLIP = BERYLLIUM COPPER
 CONTACT SHELL = BRASS
 JACKSCREW, CIRCLIP = STAINLESS STEEL
FINISH:
 CLIP = 0.3µ GOLD
 SHELL = 3.5-5.0µ TIN OVER NICKEL
ELECTRICAL:
 CURRENT RATING AT 25°C = 3.0A MAX
 CURRENT RATING AT 85°C = 2.2A MAX
 WORKING VOLTAGE = 120V AC/DC
 VOLTAGE PROOF = 360V AC/DC
 CONTACT RESISTANCE = 25 mΩ MAX
 INSULATION RESISTANCE = 100 MΩ MIN
MECHANICAL:
 DURABILITY = 500 OPERATIONS
 INSERTION FORCE (∅0.5mm GAUGE) = 2.8N MAX
 WITHDRAWAL FORCE (∅0.5mm GAUGE) = 0.2N MIN
ENVIRONMENTAL:
 TEMPERATURE RANGE = -55°C TO +125°C
PACKING:
 LOOSE
 FOR COMPLETE SPECIFICATION, SEE
 COMPONENT SPECIFICATION C005XX
 (LATEST ISSUE)

OBSOLETE



- NOTES:**
- CONNECTORS ARE SUPPLIED WITH CONTACTS LOOSE.
 - FOR EXTRA SIGNAL CONTACTS, USE PART NUMBER M80-0130001.
 - RECOMMENDED SIGNAL WIRE TYPE = BS 3G 210 TYPE A, PTFE INSULATED 24-28 AWG, MAX INSULATION DIAMETER = ∅1.10mm, STRIP WIRE BY 2.00mm.
 - RECOMMENDED HAND CRIMP TOOL FOR SIGNAL CONTACT = M22520/2-01 WITH POSITIONER T5747.
 - SIGNAL CONTACT INSERTION AND EXTRACTION TOOL = Z80-280.
 - INSTRUCTION SHEETS ARE AVAILABLE.

| | | | |
|------------------------|------|----------|--------|
| SM | 1 | 31.08.10 | 10806 |
| NAME | ISS. | DATE | C/NOTE |
| APPROVED: S. MCCULLAGH | | | |
| CHECKED: C. PENROSE | | | |
| DRAWN: B. M. KENT | | | |
| CUSTOMER REF.: | | | |
| ASSEMBLY DRG: | | | |

| | | | | | | | |
|--|--|--|---|---|---|---|---------------|
| HARWIN | | | THIS DRAWING AND ANY INFORMATION OR DESCRIPTIVE MATTER SET OUT HEREON ARE CONFIDENTIAL AND COPYRIGHT PROPERTY OF THE HARWIN GROUP AND MUST NOT BE DISCLOSED, LOANED, COPIED OR USED FOR MANUFACTURING, TENDERING OR FOR ANY OTHER PURPOSE WITHOUT THEIR WRITTEN PERMISSION. | TOLERANCES X. = ±1mm X.X = ±0.25mm X.XX = ±0.10mm X.XXX = ±0.01mm ANGLES = ±5° UNLESS STATED | MATERIAL: SEE ABOVE FINISH: SEE ABOVE S/AREA: mm ² | TITLE: JACKSCREW DATAMATE MIXED TECHNOLOGY VERTICAL CRIMP FEMALE ASSEMBLY DRAWING NUMBER: M80-4C104F1-22-000 | SHT 2 OF 2 |
| HARWIN USA TEL: 603 893 5376 FAX: 603 893 5396 mis@harwin.com | HARWIN Europe (UK) TEL: 023 9231 4545 FAX: 023 9231 4590 mis@harwin.co.uk | HARWIN Asia TEL: +65 6 779 4909 FAX: +65 6 779 3868 mis@harwin.com.sg | | | | | |