

1559-1610 MHz GNSS ACTIVE ANTENNA

Part Number: 2108852-1

FEATURES & BENEFITS

- L1+G1 bands for GNSS
- Active Patch Antenna
- The following data is based on 25 x 25mm ground size
- Different cable lengths and connector options available
- No matching circuits required

RF SPECIFICATIONS

Frequency Range (MHz)	1559 - 1610
VSWR	< 3.3:1
System gain at Zenith @ 5V	Typ. 30.2~34.0 dBic
Axial ratio at Zenith	Typ. 11.6 dB
Average Gain (Cable loss included)	25.9 dBic
Noise Figure	Typ. 1.6 dB @ 5V
Group Delay @ Zenith Variation Across Single Constellation(ns)	26.7
Phase Center Variation PCV (mm) including Active Circuitry	N/A
LNA (Voltage & Current)	DC Voltage Range 3.0~5.0 V & 9.0 mA @ 5.0V
Feed Point Impedance	50 ohms
Polarization	RHCP

1559-1610 MHz GNSS ACTIVE ANTENNA

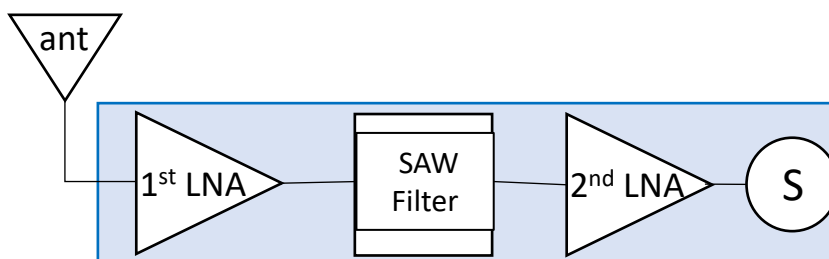
Standard Antenna Solutions

MECHANICAL SPECIFICATIONS

Size	25.0 mm x 25.0 mm x 10.5 mm
Weight	< 17.0 g
Mounting	Adhesive Tape
Mating Connector	MHF-type receptacle (TE PN 2337019-1)
Cable	Coaxial Cable: 1.13mm Dia. (Length : 100±3 mm)
Operating Temperature	-40 to +85°C
Storage Temperature	-40 to +85°C
Hazardous Materials	A certificate of conformance is available from the product page on TE website.

OUT OF BAND ATTENUATION

Frequency (MHz)	1459(F_0-100)	1710(F_0+100)
Atten. (dB)	33.64	32.82
L1 $F_0 = 1559$ MHz & 1610 MHz		



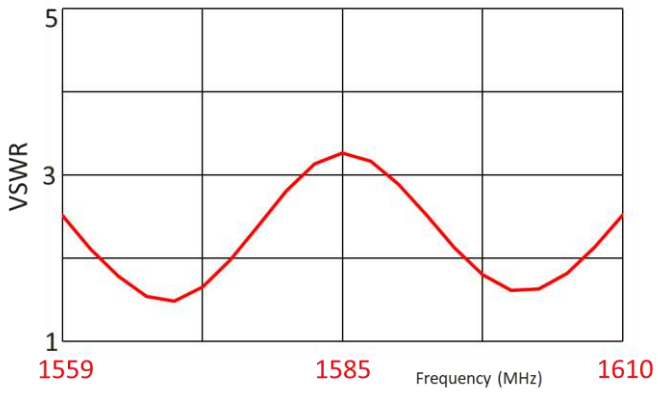
1559-1610 MHz GNSS ACTIVE ANTENNA

Standard Antenna Solutions

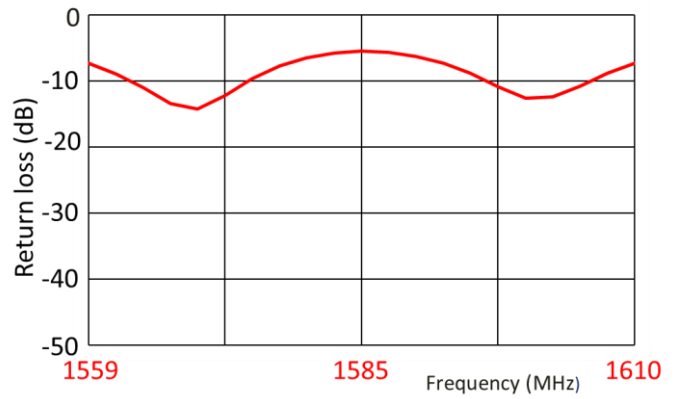
RF DATA

(shown as 2108852-1 : Ground size : 25 x 25 mm, DC 5V & Current 9.0mA.)

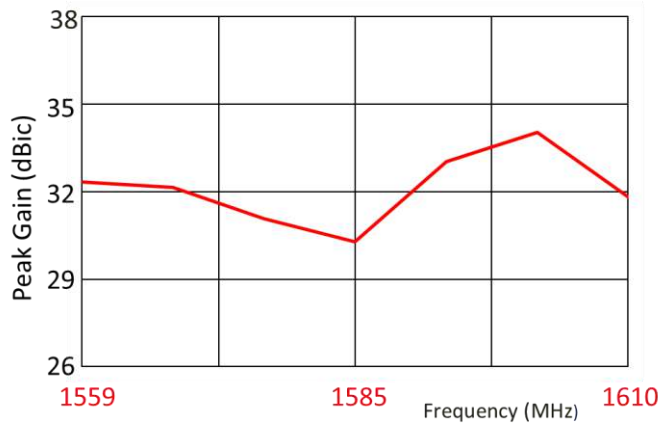
VSWR



Return Loss



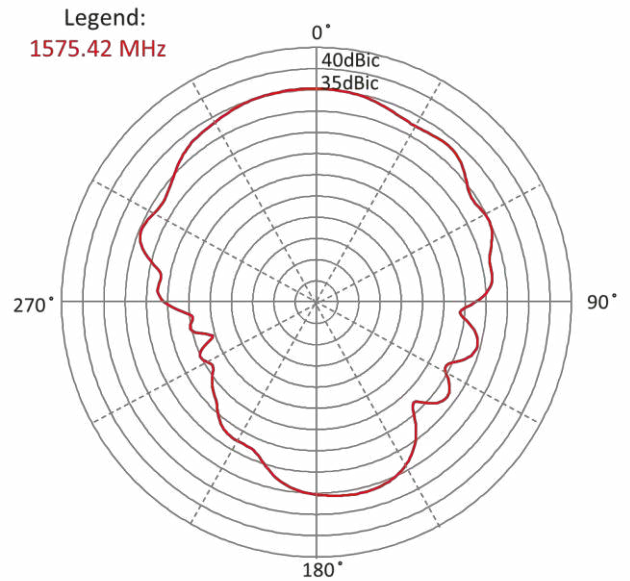
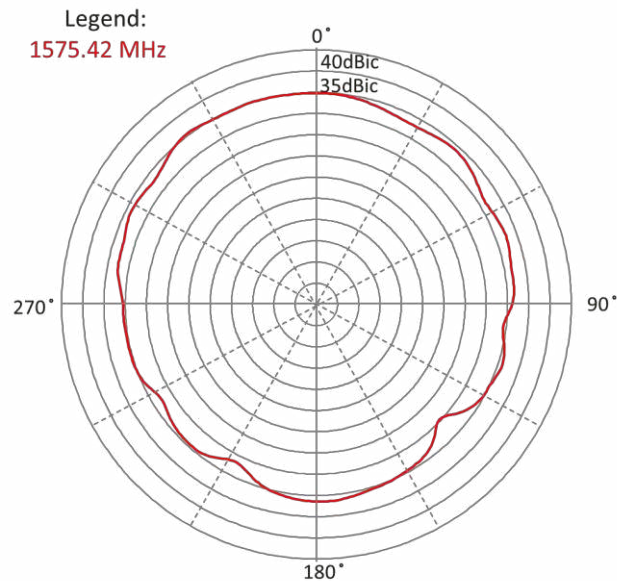
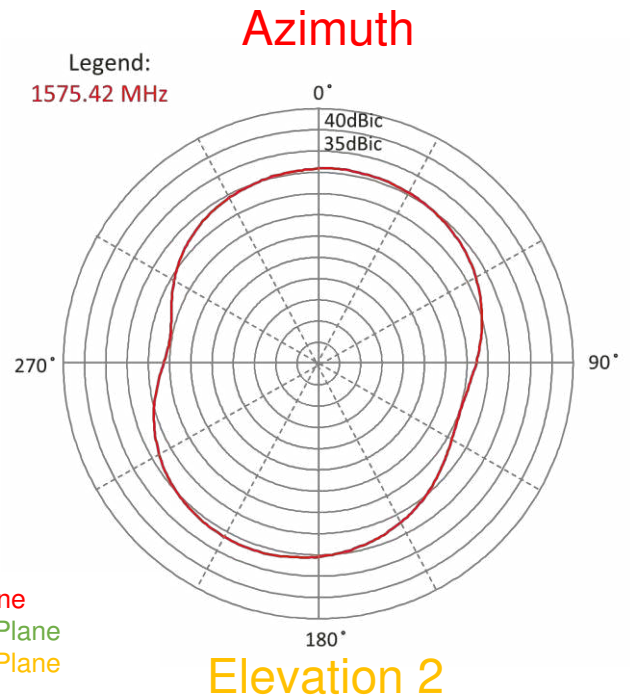
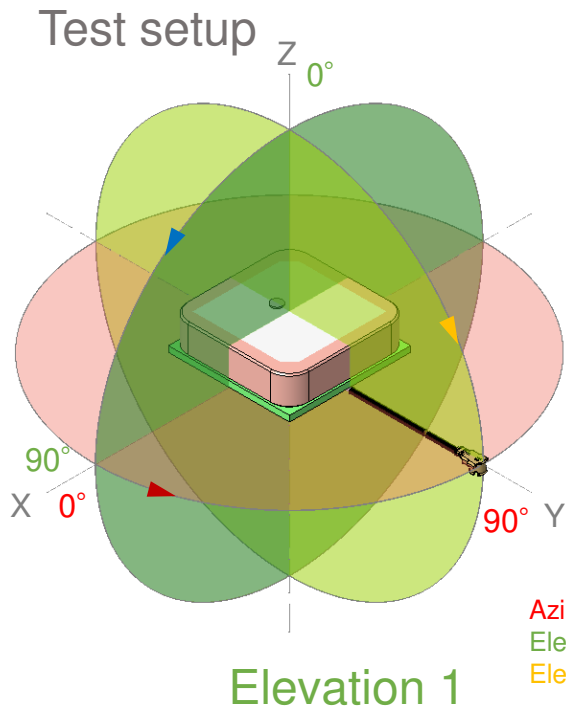
Peak Gain



Antenna gain varies with cable length

RADIATION PATTERN

(shown as 2108852-1 : Ground size : 25 x 25 mm, DC 5V & Current 9.0mA.)

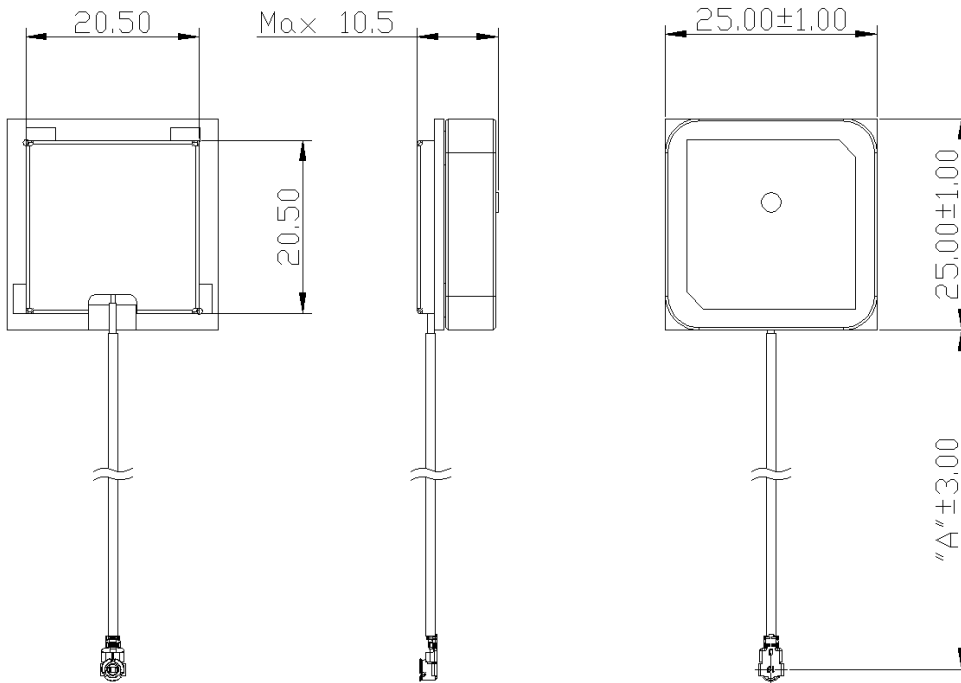


Antenna gain varies with cable length

1559-1610 MHz GNSS ACTIVE ANTENNA

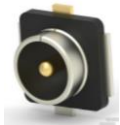
Standard Antenna Solutions

DIMENSIONS



Dimension: mm
Diagrams is not to scale

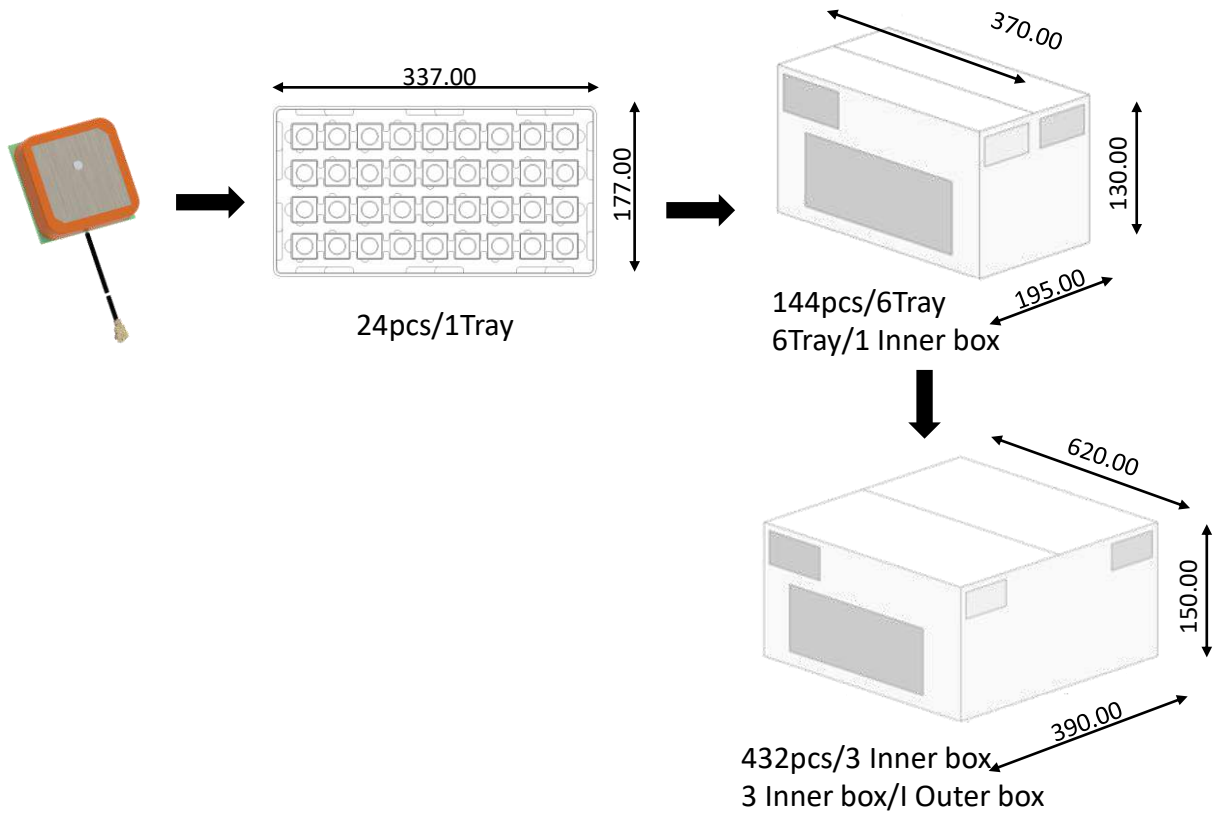
MATING COMPONENTS

2108852-1	94.0	3.700	MHF-TYPE PLUG	RECEPTACLE (TE PN: 2337019-1)	
PART NUMBER	MM	INCH	CONNECTOR TYPE (ON CABLE)	PART NUMBER	IMAGE
	CABLE LENGTH(A)			MATING COMPONENTS	

1559-1610 MHz GNSS ACTIVE ANTENNA

Standard Antenna Solutions

PACKAGING



TE TECHNICAL SUPPORT CENTER

- USA: +1 (800) 522-6752
- Canada: +1 (905) 475-6222
- Mexico: +52 (0) 55-1106-0800
- Latin/S. America: +54 (0) 11-4733-2200
- Germany: +49 (0) 6251-133-1999
- UK: +44 (0) 800-267666
- France: +33 (0) 1-3420-8686
- Netherlands: +31 (0) 73-6246-999
- China: +86 (0) 400-820-6015

For phone numbers in other countries, go to te.com/support-center

te.com

TE Connectivity, TE Connectivity (logo) are trademarks. All other logos, products and/or company names referred to herein might be trademarks of their respective owners.

The information given herein, including drawings, illustrations and schematics which are intended for illustration purposes only, is believed to be reliable. However, TE Connectivity makes no warranties as to its accuracy or completeness and disclaims any liability in connection with its use. TE Connectivity's obligations shall only be as set forth in TE Connectivity's Standard Terms and Conditions of Sale for this product and in no case will TE Connectivity be liable for any incidental, indirect or consequential damages arising out of the sale, resale, use or misuse of the product. Users of TE Connectivity products should make their own evaluation to determine the suitability of each such product for the specific application.

© 2020 TE Connectivity Ltd. family of companies All Rights Reserved.

05/2021