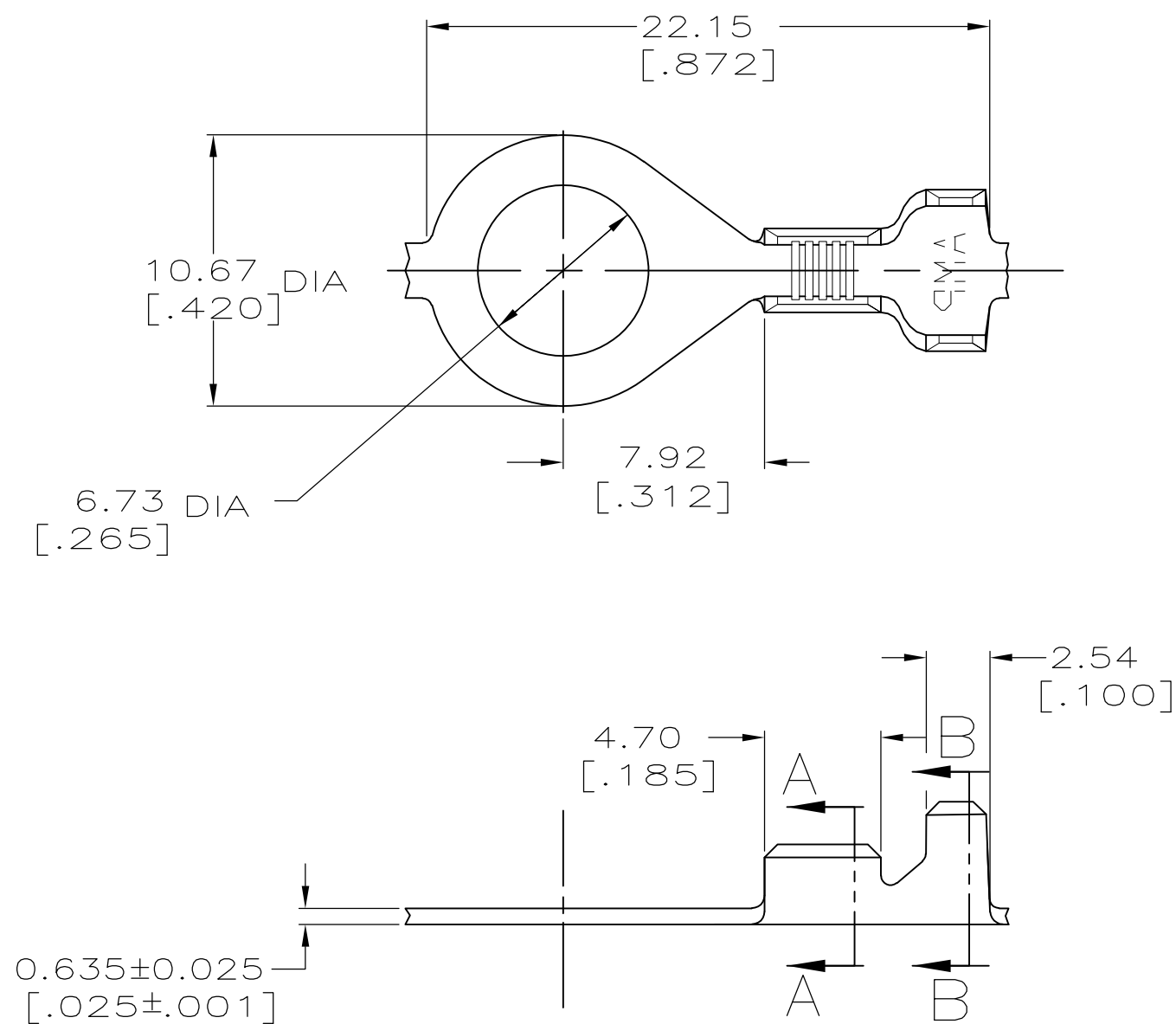
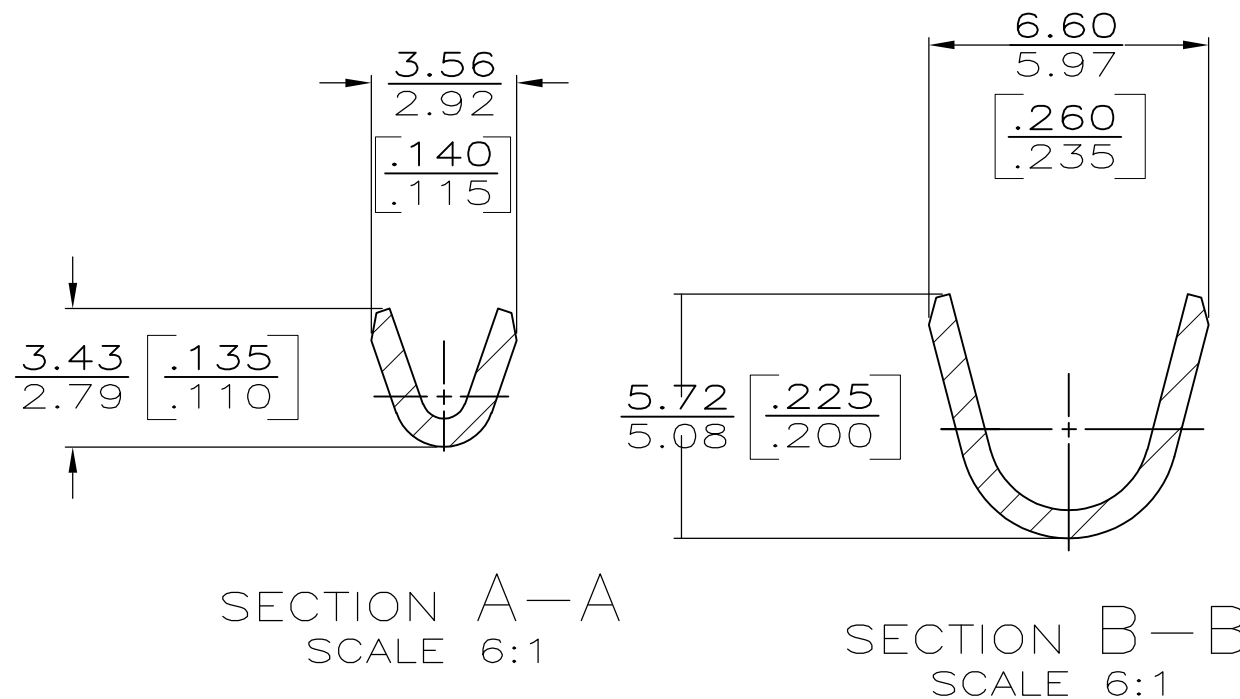


THIS DRAWING IS UNPUBLISHED. RELEASED FOR PUBLICATION, 19
 © COPYRIGHT 19 BY AMP INCORPORATED. ALL INTERNATIONAL RIGHTS RESERVED.

LOC	DIST	P	F	ZONE	LTR	REVISIONS	DATE	APPD
AF	50				D	REVISE PER ECR-13-013738	15FEB2014	GRZ/JL



- 1 CONTINUOUS STRIP ON REELS.
- 2 REELED WITH PAPER INTERLEAF.



SECTION A-A
SCALE 6:1

SECTION B-B
SCALE 6:1

METRIC

3.18-4.19 DIA [.125-.165]	0.3 -0.8mm [22-18] AWG	63612-1
INSULATION RANGE	WIRE RANGE	PART NO

F OR O	5.59 [.220]	F	2.54 [.100]	1.57 [.062]	0.8mm [18]
				1.47 [.058]	0.5mm [20]
				1.42 [.056]	0.3mm [22]
TYPE	WIDTH	TYPE	WIDTH	±0.051 [±.002] HEIGHT	WIRE
INSUL BARREL CRIMP		WIRE BARREL CRIMP			

DO NOT SCALE PRINT.
UNLESS SPECIFIED
DIMENSIONS IN mm [INCHES]
TOLERANCES ON:
2 PLC DEC ± 0.25 [.010]
3 PLC DEC ± -
ANGLES ± -
MATERIAL
BRASS
FINISH
0.002032 [.000080]
MIN TIN PL
PER MIL-T-10727

DR 1/10/91
P FORTNEY
CHK 1/14/91
MS FEHER
APPD 1/14/91
G YETTER
APPD 1/14/91
R WEAVILL
PRODUCT SPEC
-
APPLICATION SPEC
-
WEIGHT -

AMP AMP Incorporated
Harrisburg, PA 17105-3608

NAME
RING, AMPLIVAR™

SIZE	CAGE CODE	DRAWING NO
B	00779	63612
SCALE	4:1	SHEET
		1 OF 1