



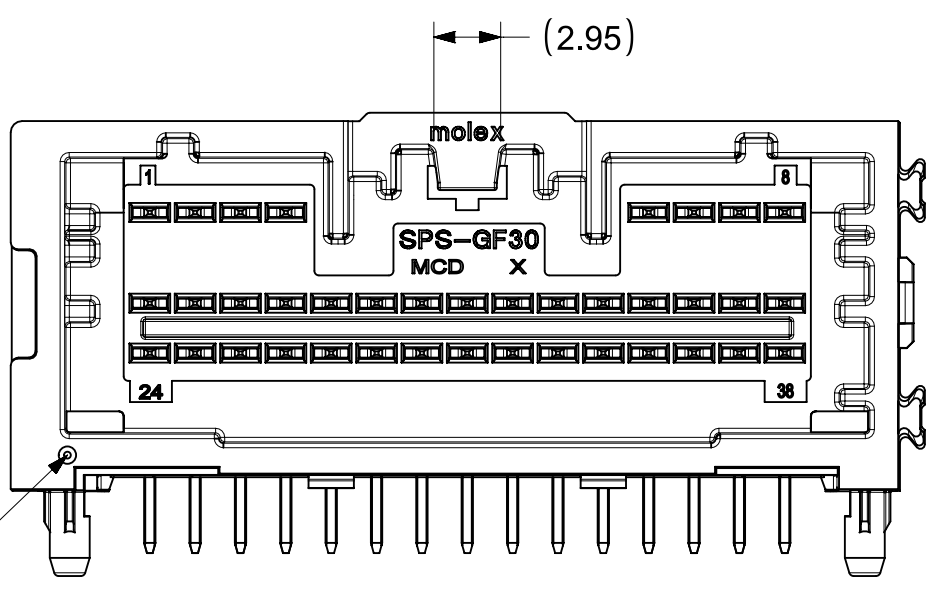
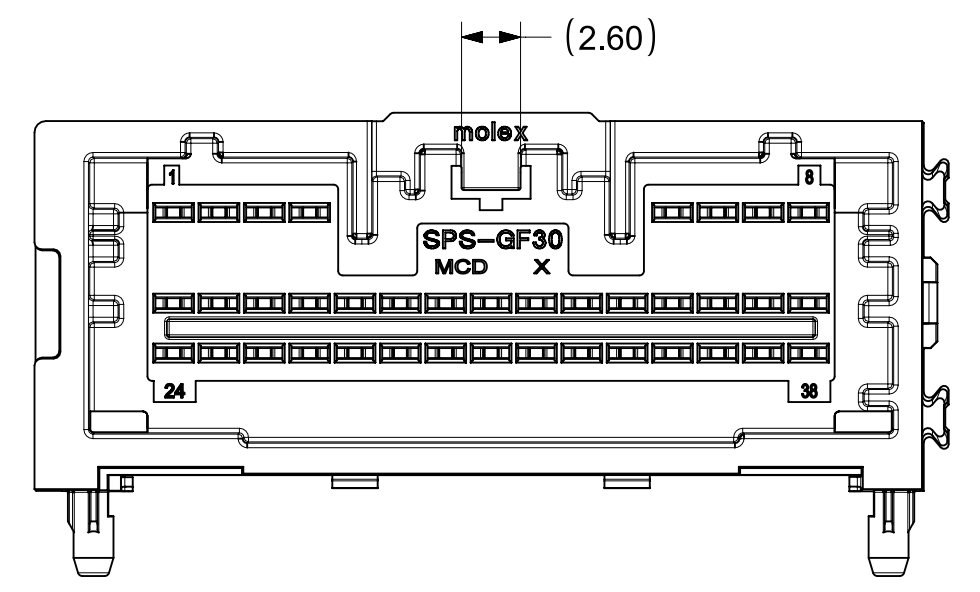


| TABLE OF CONTENTS |   |
|-------------------|---|
| SHEET NO.         | SHEET DESCRIPTION   |
| 3                 | CHART FOR MULTIBAY CONFIGURATION FOR UL94 V0<br>SHOW HB/V0 VERSION DIFFERENCE |

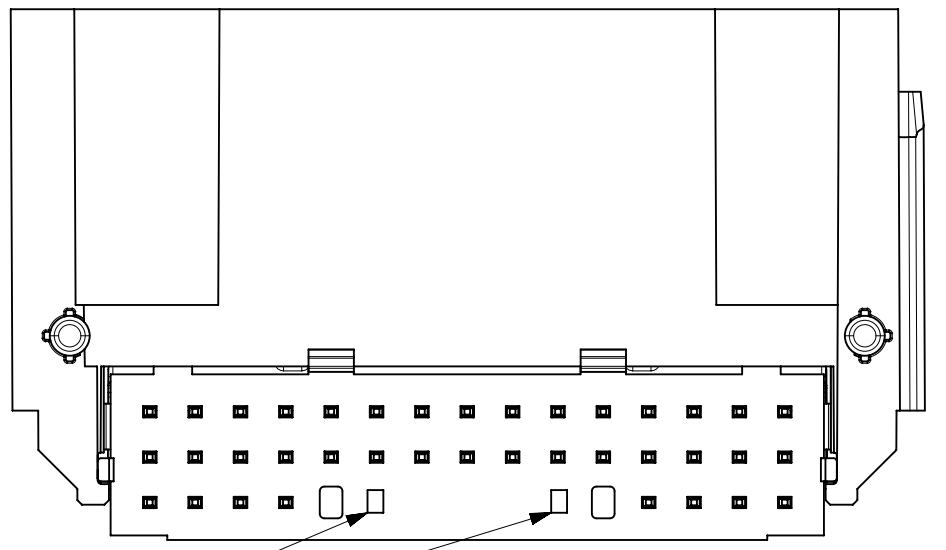
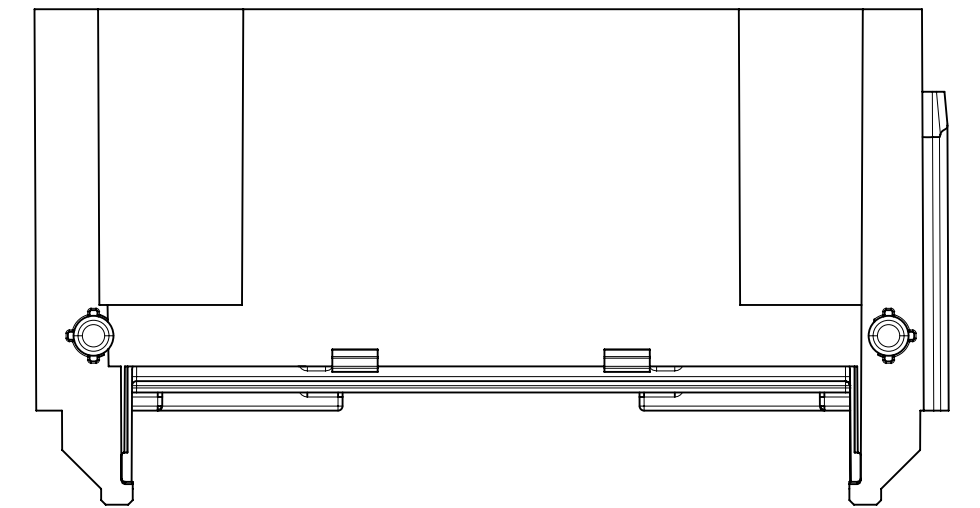
CHART FOR MULTIBAY CONFIGURATION(V0 VERSION):

| 2 BAY PART NUMBER (TUBE PKG) | 2 BAY PART NUMBER (TRAY PKG) | BAY A      |                |           |       |             |                   | BAY B      |                |     |       |             |                   | STATUS   |
|------------------------------|------------------------------|------------|----------------|-----------|-------|-------------|-------------------|------------|----------------|-----|-------|-------------|-------------------|----------|
|                              |                              | P/N        | INTERFACE TYPE | POL       | COLOR | QTY OF PINS | FLAMMABILITY UL94 | P/N        | INTERFACE TYPE | POL | COLOR | QTY OF PINS | FLAMMABILITY UL94 |          |
| TBD                          | 3001960200                   | 2133550383 | 38CKT          | UPDATED A | BLACK | 38          | V0                | 2133550344 | 34CKT          | B   | GREY  | 34          | V0                | SALEABLE |

HB / V0 VERSION DIFFERENCE:



DEPRESSION FEATURE ADDED TO V0 PART TO DISTINGUISH FROM HB PART



DEPRESSION FEATURE ADDED TO V0 PART TO DISTINGUISH FROM HB PART

V0 P/Ns: 213355XXXX  
APPLIES TO ALL CKT SIZES,  
USE 38CKT AS SHOWN

HB P/Ns: 34961XXXX  
APPLIES TO ALL CKT SIZES,  
USE 38CKT AS SHOWN

|  |   |                   |  |                 |              |                |
|--|---|-------------------|--|-----------------|--------------|----------------|
| <b>FUNCTIONAL SYMBOLS</b><br>FA = 0<br>FC = 0<br>FP = 0<br><b>DIVISIONAL SYMBOLS</b> | THIS DRAWING CONTAINS INFORMATION THAT IS PROPRIETARY TO MOLEX ELECTRONIC TECHNOLOGIES, LLC AND SHOULD NOT BE USED WITHOUT WRITTEN PERMISSION |                   | CURRENT REV DESC: REFER TO REVISION COLUMN           |                 |              |                |
|  | DIMENSION UNITS   | SCALE             | STATUS: Production                                   |                 |              |                |
|  | mm  | 3:1               | DRWN: Shanks Wu                                      |                 |              |                |
|  | GENERAL TOLERANCES (UNLESS SPECIFIED)   |                   | CHK'D: Ringo Hu                                      |                 |              |                |
| ANGULAR TOL ± 0.5°   |   | APPR: Colin Zhang |  |                 |              |                |
| 4 PLACES   | ±   | 2023-05-04        | DOCUMENT NUMBER                                      | DOC TYPE        | DOC PART     | REVISION       |
| 3 PLACES   | ±   | 2023-05-19        | SD-34960-0200  | PSD             | 001          | B8             |
| 2 PLACES   | ±   | 2023-05-31        | GENERAL MARKET                                       |                 | SHEET NUMBER |                |
| 1 PLACE  | ±   |                   | D-DRAWING  |                 | 3 OF 4       |                |
| 0 PLACES   | ±   |                   | DRAFT WHERE APPLICABLE MUST REMAIN WITHIN DIMENSIONS |                 | SERIES       |                |
| THIRD ANGLE PROJECTION   |   | DRAWING           |  | MATERIAL NUMBER |              | CUSTOMER       |
|  |   | D-SIZE            |  | 34960           |              | GENERAL MARKET |

**molex**

34 & 38 CKT MINI50 2-BAY  
R/A HEADER ASSEMBLY SALES DRAWING

PRODUCT SALES DRAWING

2023-05-04  
2023-05-19  
2023-05-31

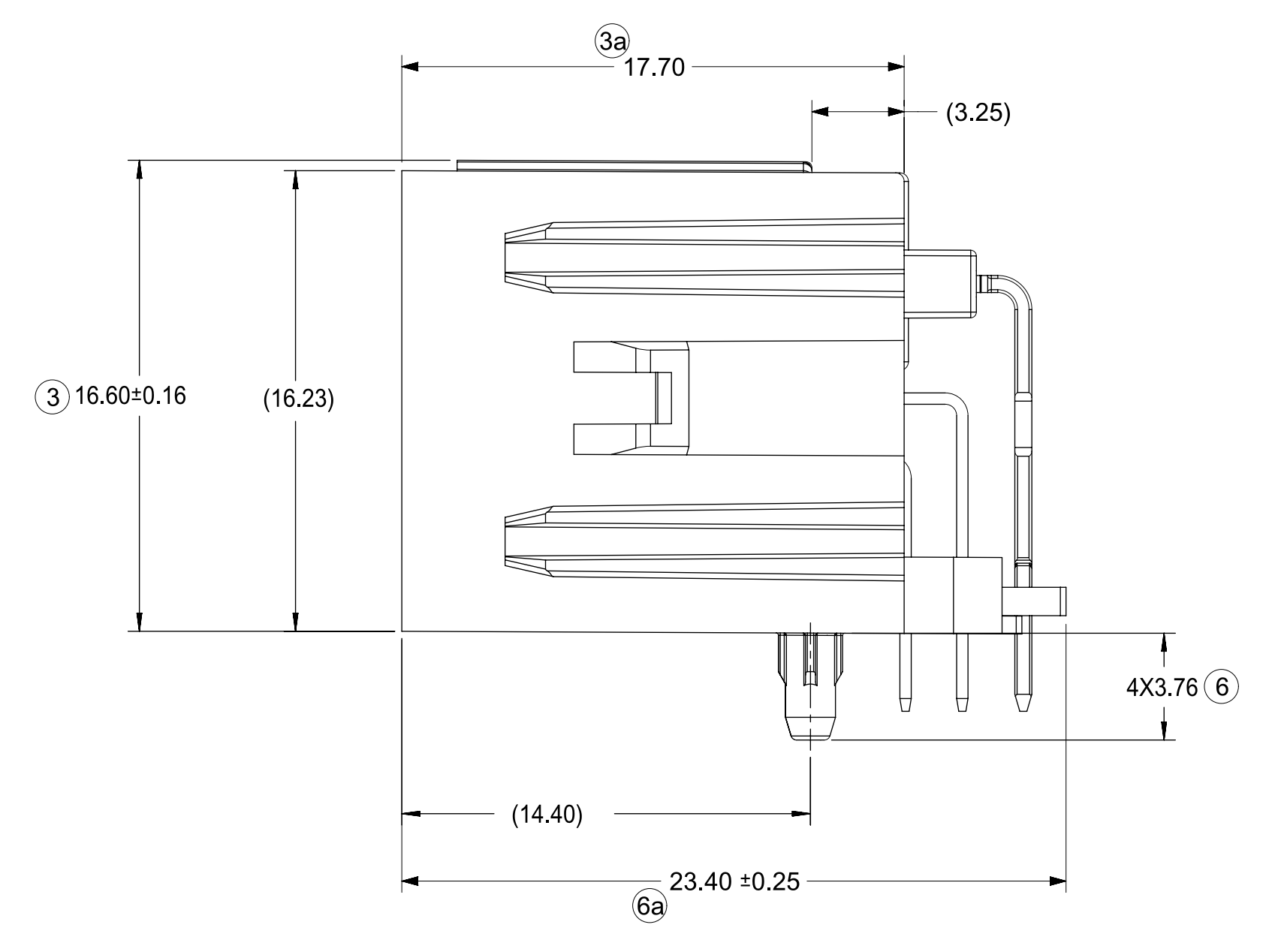
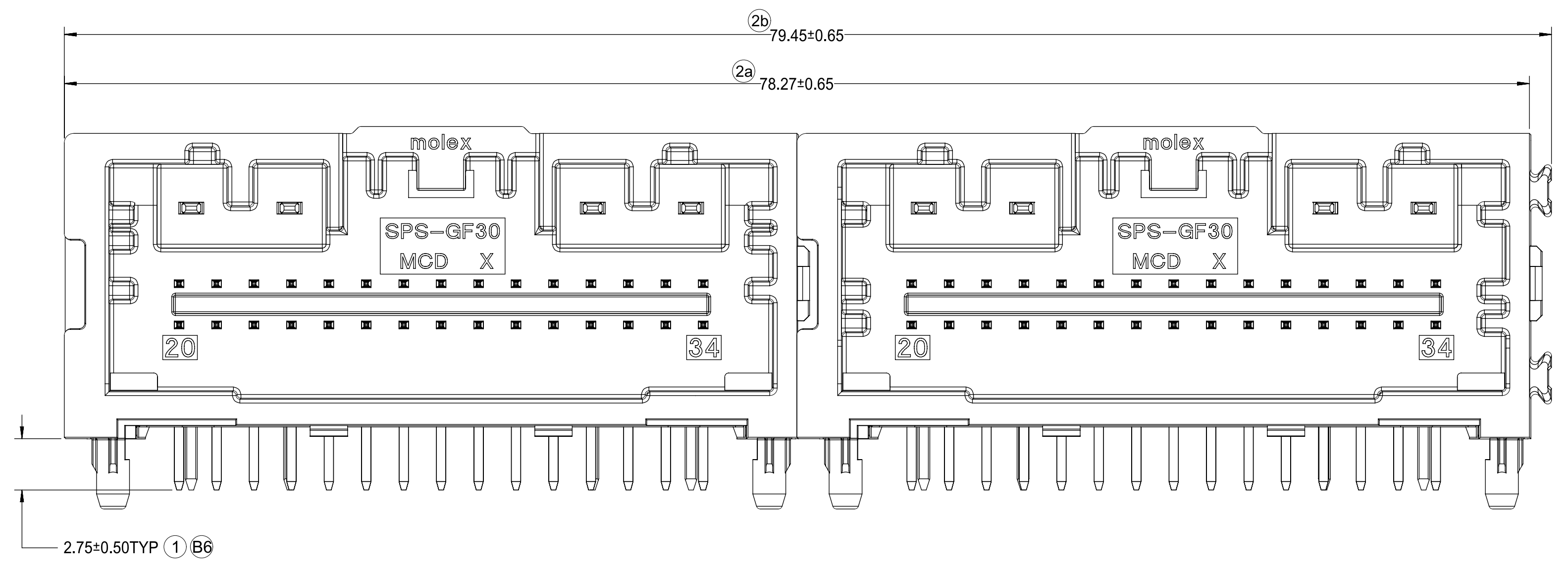
SD-34960-0200 PSD 001 B8

34960

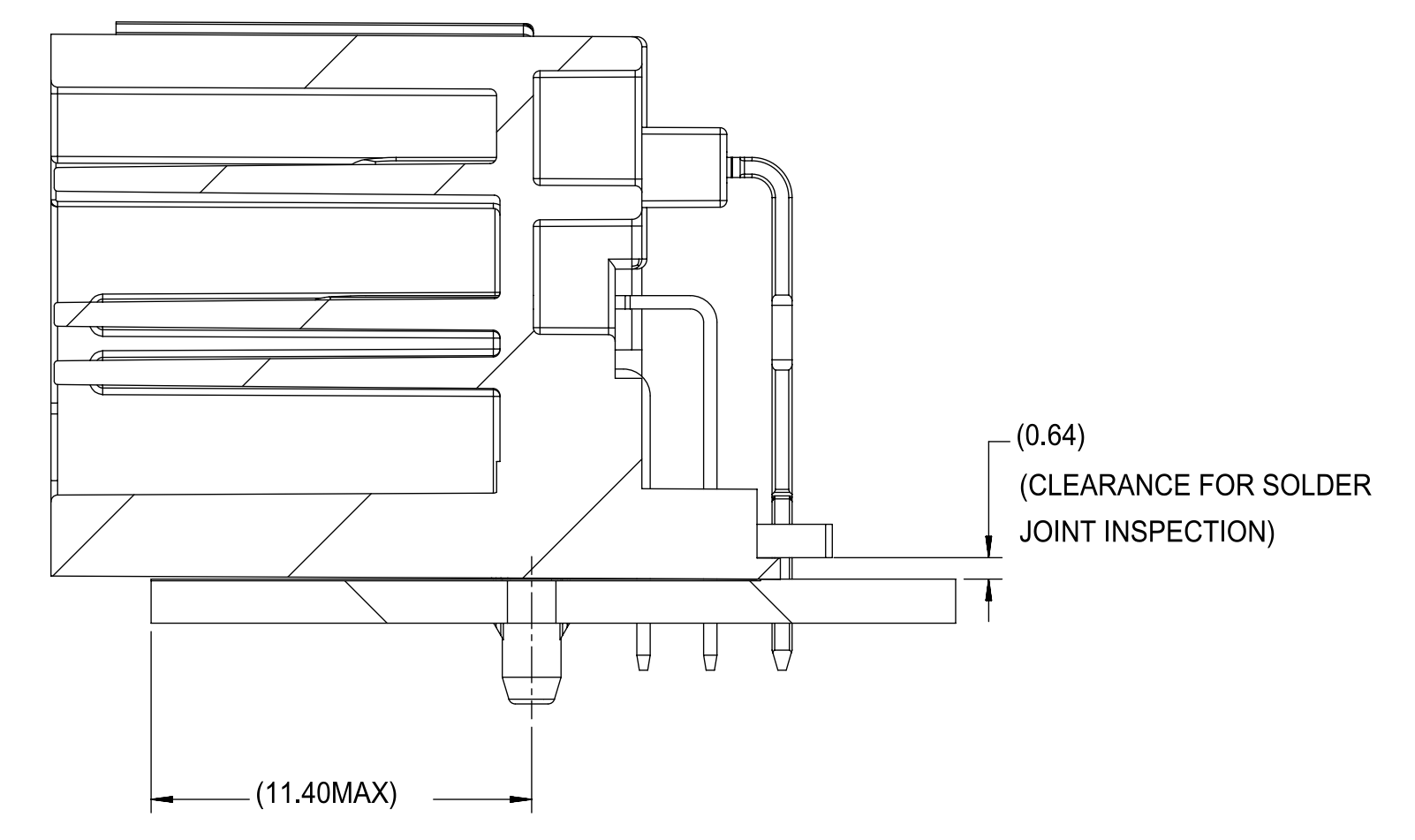
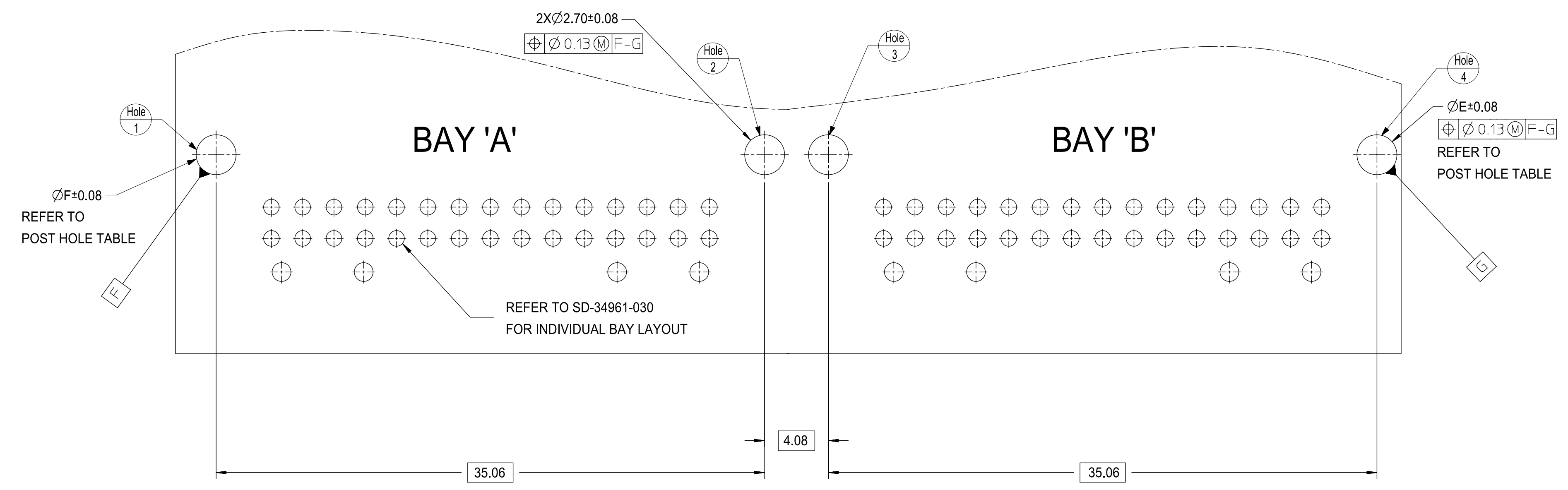
D-SIZE

GENERAL MARKET 3 OF 4

| TABLE OF CONTENTS |   |
|-------------------|---|
| SHEET NO.         | SHEET DESCRIPTION                             |
| 4                 | DETAIL DIMENSION VIEW<br>REFERENCE PCB LAYOUT |



RECOMMENDED PCB LAYOUT



FLUSH MOUNTING  
HEADER-TO-PCB

Partial1  
SCALE 5:1

POST HOLE TABLE:

| FOR DIM    | E    | F    |
|------------|------|------|
| PRESS FIT: | 2.30 | 2.30 |
| DROP IN:   | 2.85 | 2.65 |

|  |   |                        |  |          |  |
|--|---|------------------------|--|----------|--|
| FUNCTIONAL SYMBOLS<br>$\nabla_A = 0$<br>$\nabla_C = 0$<br>$\nabla_P = 0$ | THIS DRAWING CONTAINS INFORMATION THAT IS PROPRIETARY TO MOLEX ELECTRONIC TECHNOLOGIES, LLC AND SHOULD NOT BE USED WITHOUT WRITTEN PERMISSION |                        | CURRENT REV DESC: REFER TO REVISION COLUMN |          |  |
|  | DIMENSION UNITS   | SCALE                  |  |          |  |
|  | mm  | 1:1                    |  |          |  |
|  | GENERAL TOLERANCES (UNLESS SPECIFIED)   |                        |  |          |  |
| ANGULAR TOL ± 0.5°   |   |                        |  |          |  |
| 4 PLACES ±   |   |                        |  |          |  |
| 3 PLACES ±   |   |                        |  |          |  |
| 2 PLACES ±   |   |                        |  |          |  |
| 1 PLACE ±  |   |                        |  |          |  |
| 0 PLACES ±   |   |                        |  |          |  |
| DRAFT WHERE APPLICABLE MUST REMAIN WITHIN DIMENSIONS                     |   | THIRD ANGLE PROJECTION |  |          |  |
|  |   |                        |  |          |  |
| DRAWING  |   | SERIES                 |  |          |  |
| D-SIZE   |   | 34960                  |  |          |  |
| STATUS: Production   |   |                        |  |          |  |
| DRWN: Shanks Wu  |   |                        |  |          |  |
| CHK'D: Ringo Hu  |   |                        |  |          |  |
| APPR: Colin Zhang  |   |                        |  |          |  |
| 2023-05-04   |   |                        |  |          |  |
| 2023-05-19   |   |                        |  |          |  |
| 2023-05-31   |   |                        |  |          |  |
| DOCUMENT NUMBER  |   | DOC TYPE               | DOC PART                                   | REVISION |  |
| SD-34960-0200  |   | PSD                    | 001  | B8       |  |
| MATERIAL NUMBER  |   | CUSTOMER               |  |          |  |
|  |   | GENERAL MARKET         |  |          |  |
| SHEET NUMBER   |   |                        |  |          |  |
| 4 OF 4   |   |                        |  |          |  |

**molex**

34 & 38 CKT MINI50 2-BAY  
R/A HEADER ASSEMBLY SALES DRAWING

PRODUCT SALES DRAWING