

- NOTES:**
- MATERIALS: HOUSING - LIQUID CRYSTAL POLYMER (LCP) GLASS-FILLED, UL94V-0
TERMINALS - HIGH PERFORMANCE COPPER ALLOY
 - FINISH: 30μ INCH MIN GOLD IN CONTACT AREA, SELECTIVE MATTE TIN ON PCB TAILS, NICKEL OVERALL.
 - REFER TO MOLEX PCB ROUTING GUIDE AS-76060-990 FOR ANTIPAD AND ROUTING RECOMMENDATIONS.
 - CONNECTORS SUPPLIED WITH A 2-56 UNC-2A SCREW.
 - "THESE DIMENSIONS REPRESENT THE AREA NEEDED TO ACCOMMODATE CONNECTOR INSERTION AND REPAIR ON THE PC BOARD. THIS IS REFERRED TO AS THE "CONNECTOR KEEP OUT ZONE" AND DOES NOT REPRESENT THE ACTUAL PERIMETER OF THE CONNECTOR. WHEN LAYING OUT A PC BOARD FOR CONNECTORS STACK TOGETHER, USE A 1.9mm PROGRESSION."
 - SEE SHEETS 2 & 3 FOR PART NUMBERS AND BOARD RELATIONSHIPS.
 - FOR GROUNDED GUIDE PINS USE $\varnothing 3.56 \pm 0.08$ (PTH), $\varnothing 3.66$ (DRILL) & $\varnothing 6.5$ (PAD).
 - MINIMUM CIRCUIT BOARD THICKNESS: 1.0mm.
 - REFER TO MOLEX PRODUCT SPECIFICATION PS-170540-999 FOR PERFORMANCE SPECIFICATIONS AND ADDITIONAL PCB INFORMATION.
 - THIS PART CONFORMS TO CLASS B REQUIREMENTS OF MOLEX COSMETIC SPEC PS-45499-002.
 - PARTS PACKAGED PER PK-70873-759.

| | | | | | | | | | | | |
|---|--|----------|------------------------|-------|---|--|--|--|--|--|--|
| THIS DRAWING CONTAINS INFORMATION THAT IS PROPRIETARY TO MOLEX ELECTRONIC TECHNOLOGIES, LLC AND SHOULD NOT BE USED WITHOUT WRITTEN PERMISSION | | | | | | | | | | | |
| MIGRATED TO NX EC NO: 168852 DRWN: NVELUSAMY CHKD: CD REV / APPR: GGA | GENERAL TOLERANCES (UNLESS SPECIFIED) | | DIMENSION UNITS | SCALE | | | | | | | |
| | ANGULAR TOL ± 2.0 ° | | MM | 4:1 | | | | | | | |
| | 4 PLACES ± | DRWN BY | DATE | | IMPACT 5-PAIR 85-OHM LEFT GUIDED BACKPLANE SALES ASSEMBLY DRAWING | | | | | | |
| | 3 PLACES ± | JBINGHAM | 2010/05/19 | | | | | | | | |
| | 2 PLACES ± 0.13 | CHKD BY | DATE | | PRODUCT CUSTOMER DRAWING | | | | | | |
| | 1 PLACE ± 0.25 | JLAURX | 2010/05/19 | | | | | | | | |
| | 0 PLACES ± | APPR BY | DATE | | SERIES MATERIAL NUMBER CUSTOMER 170475 SEE TABLE GENERAL MARKET | | | | | | |
| | DRAFT WHERE APPLICABLE MUST REMAIN WITHIN DIMENSIONS | JLAURX | 2013/05/21 | | | | | | | | |
| | DRAWING SIZE | | THIRD ANGLE PROJECTION | | DOCUMENT NUMBER DOC TYPE DOC PART SHEET NUMBER SD-170475-0002 PSD 001 1 OF 3 | | | | | | |
| | C | | | | | | | | | | |

PART NUMBER LOGIC

170475-****

MODULE TYPE
 3 = GUIDE LEFT, MATTE TIN
 7 = GUIDE LEFT END WALL, MATTE TIN

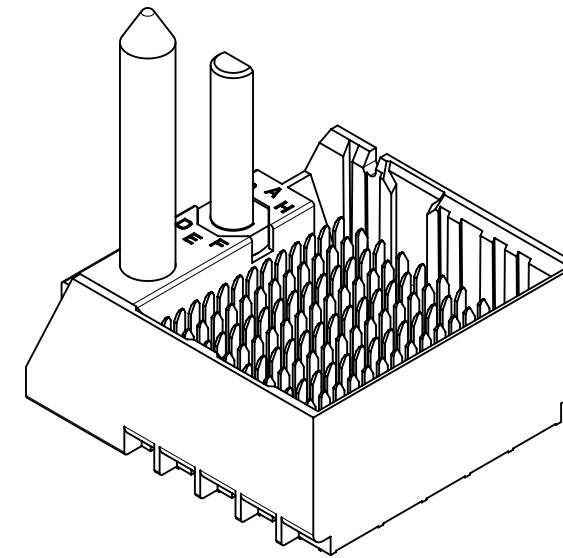
OF COLUMNS
 1 = 10 COL
 2 = 12 COL
 6 = 16 COL
 8 = 8 COL

P=PIN LENGTH
 3 = 4.50 (SHORT COMPLIANT, 0.46±0.05 PTH)
 4 = 4.90 (SHORT COMPLIANT, 0.46±0.05 PTH)
 5 = 5.50 (SHORT COMPLIANT, 0.46±0.05 PTH)
 6 = 4.50 (MICRO COMPLIANT, 0.39±0.05 PTH)
 7 = 4.90 (MICRO COMPLIANT, 0.39±0.05 PTH)
 8 = 5.50 (MICRO COMPLIANT, 0.39±0.05 PTH)

KEY ORIENTATION
 0 = NO KEY
 1 = A
 2 = B
 3 = C
 4 = D
 5 = E
 6 = F
 7 = G
 8 = H

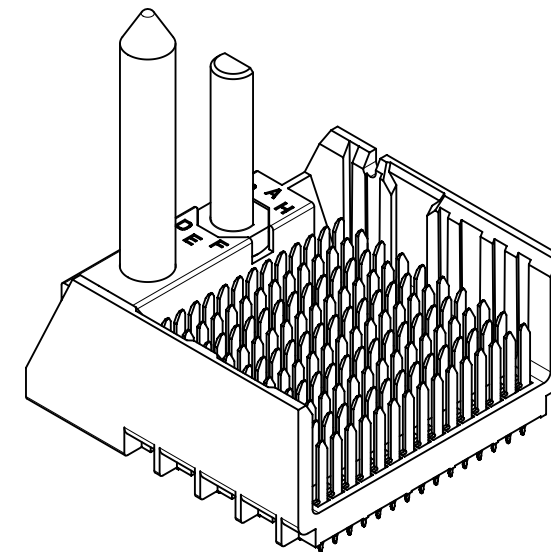
PART NUMBER CHART

| MATERIAL NUMBER | # OF COLUMNS | # OF DIFF PAIR | DIM. A | DIM. B | GUIDE LEFT END WALL OPTION |
|-----------------|--------------|----------------|--------|--------|----------------------------------|
| 170475-78** | 8 | 40 | 23.1 | 13.30 | |
| 170475-71** | 10 | 50 | 26.9 | 17.10 | |
| 170475-72** | 12 | 60 | 30.7 | 20.90 | |
| 170475-76** | 16 | 80 | 38.3 | 28.50 | |



GUIDE LEFT
END WALL
OPTION

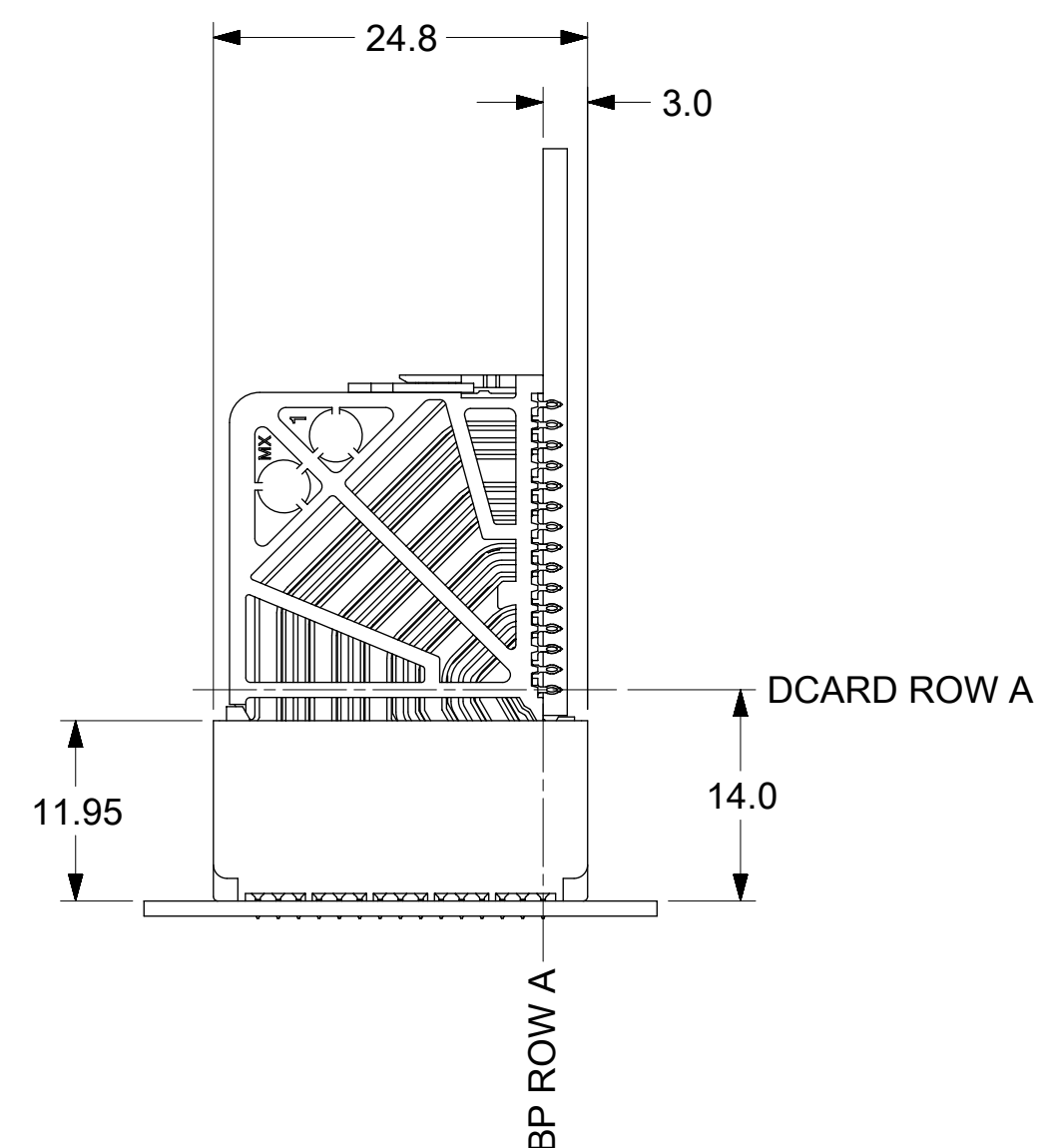
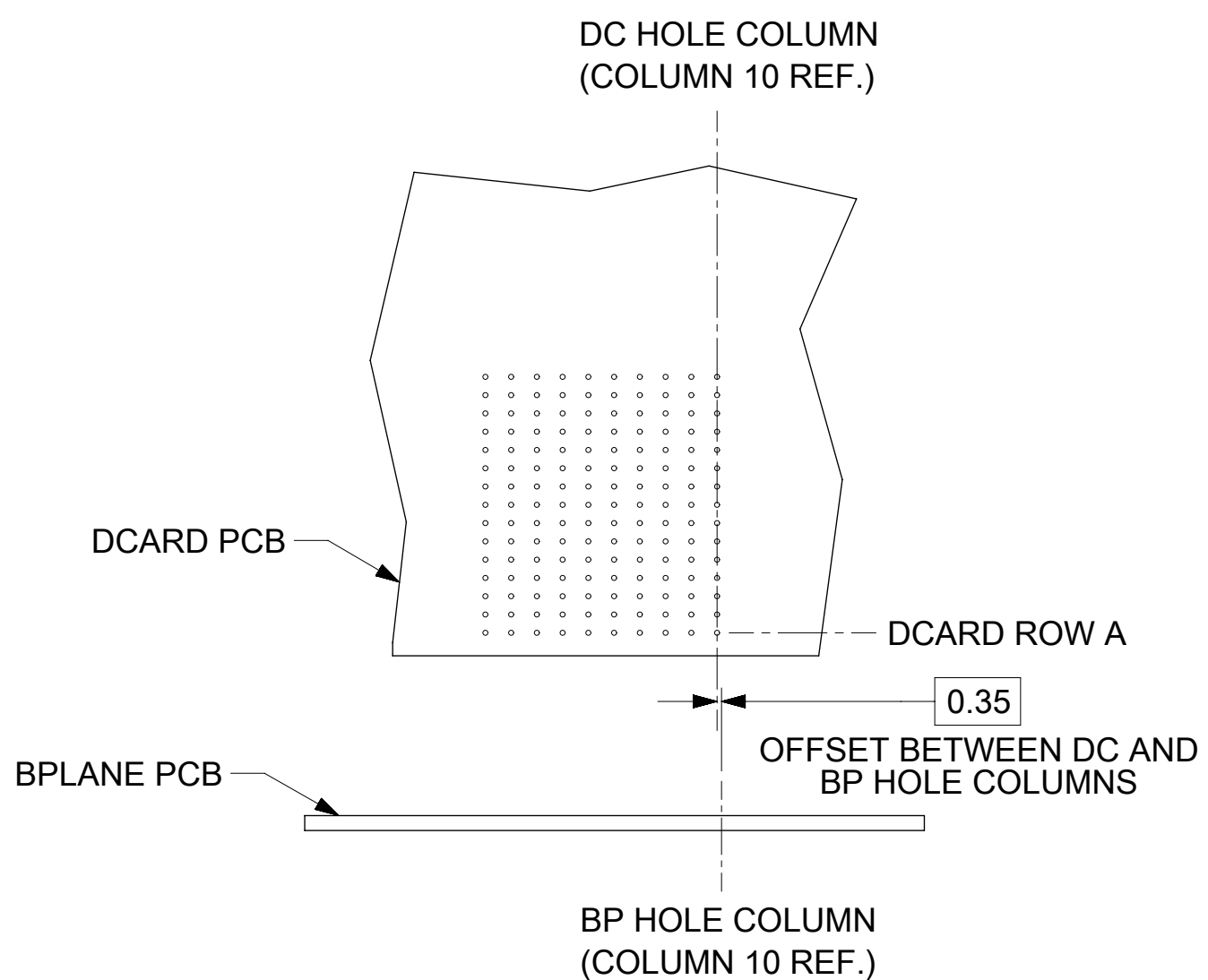
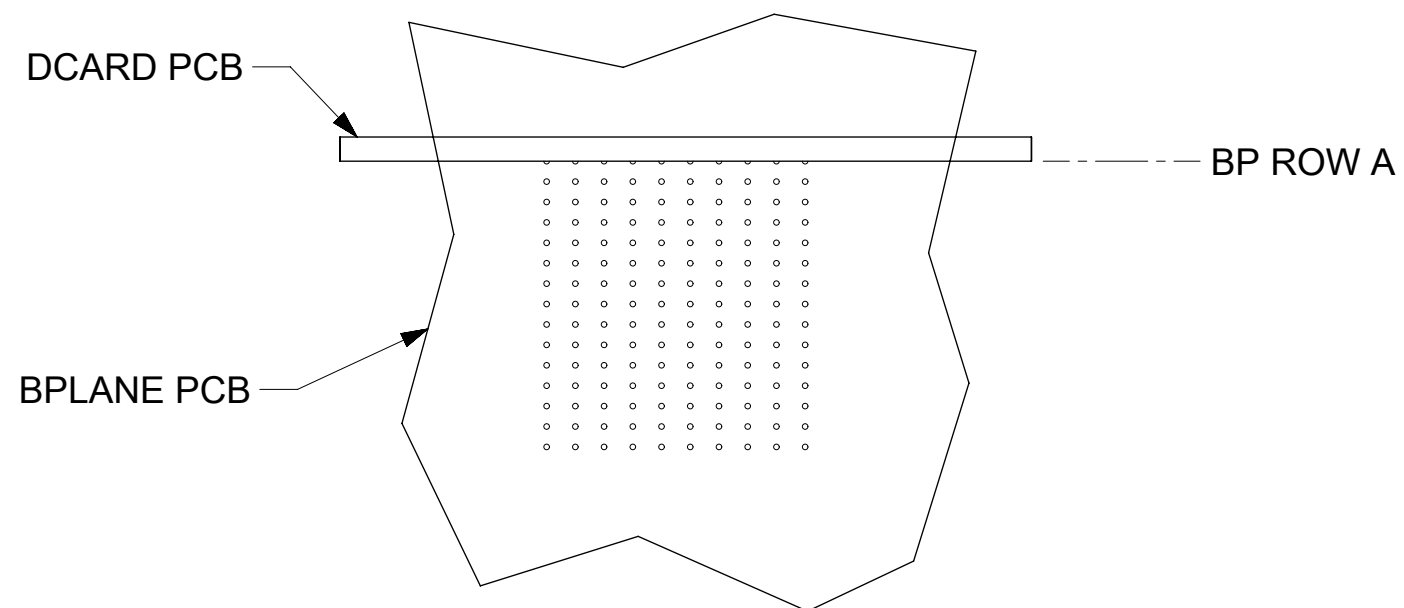
| MATERIAL NUMBER | # OF COLUMNS | # OF DIFF PAIR | DIM. A | DIM. B | GUIDE LEFT OPEN WALL OPTION |
|-----------------|--------------|----------------|--------|--------|-----------------------------------|
| 170475-38** | 8 | 40 | 21.7 | 13.30 | |
| 170475-31** | 10 | 50 | 25.5 | 17.10 | |
| 170475-32** | 12 | 60 | 29.3 | 20.90 | |
| 170475-36** | 16 | 80 | 36.9 | 28.50 | |



GUIDE LEFT
OPEN WALL
OPTION

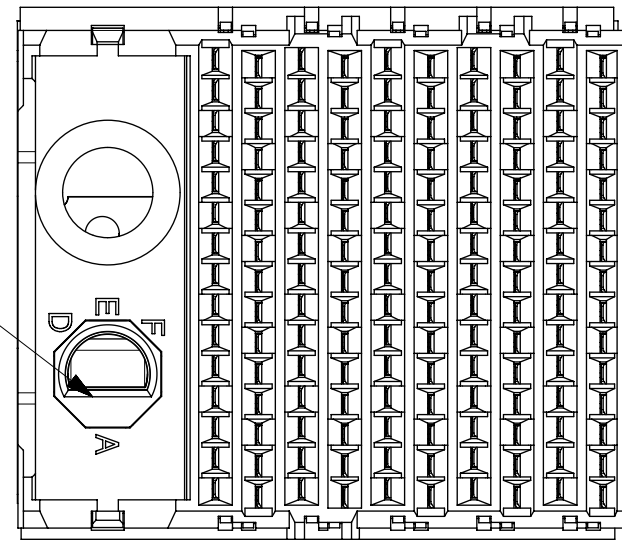
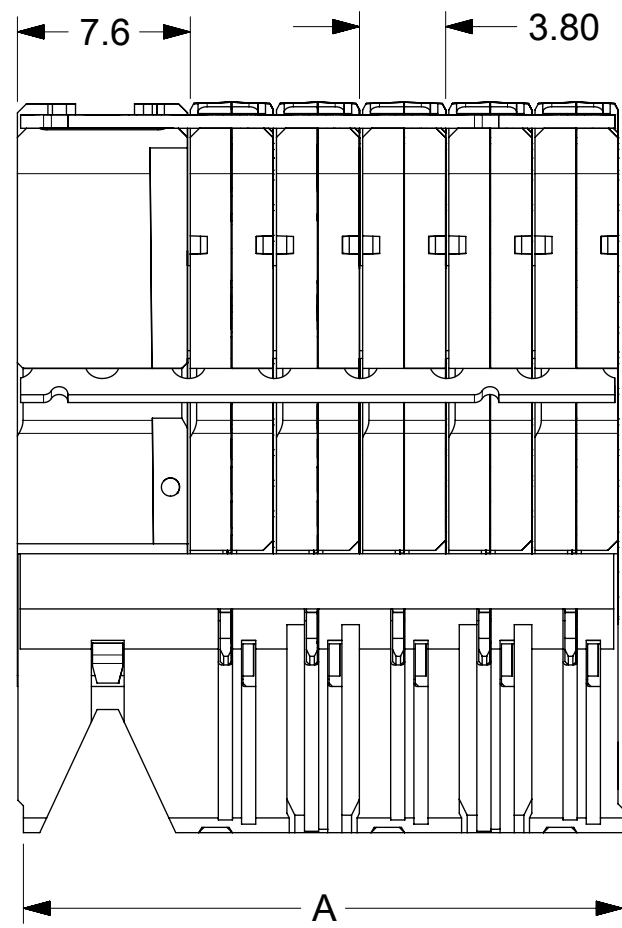
| | | | | | | | | | | | |
|---|------------|--|------------|--|---------------------|-----------------|---------------------------------------|-----------------|-----------------|-----------------------|------------|
| THIS DRAWING CONTAINS INFORMATION THAT IS PROPRIETARY TO MOLEX ELECTRONIC TECHNOLOGIES, LLC AND SHOULD NOT BE USED WITHOUT WRITTEN PERMISSION | | | | | | | | | | | |
| MIGRATED TO NX EC NO: 168852 DRWN: NVELUSAMY CHKD: CD REV / APPR: GGA | 2017/10/25 | | 2017/11/30 | | 2017/12/01 | | GENERAL TOLERANCES (UNLESS SPECIFIED) | | DIMENSION UNITS | | SCALE |
| | 4 PLACES | | ± | | ANGULAR TOL ± 2.0 ° | | MM | | 2:1 | | |
| | 3 PLACES | | ± | | DRWN BY | | DATE | | JBLINGHAM | | 2010/05/19 |
| | 2 PLACES | | ± 0.13 | | CHKD BY | | DATE | | JLAURX | | 2010/05/19 |
| | 1 PLACE | | ± 0.25 | | APPR BY | | DATE | | JLAURX | | 2013/05/21 |
| | 0 PLACES | | ± | | DRAWING SIZE | | THIRD ANGLE PROJECTION | | C | | |
| DRAFT WHERE APPLICABLE MUST REMAIN WITHIN DIMENSIONS | | | | | | SERIES | | MATERIAL NUMBER | | CUSTOMER | |
| | | | | | | 170475 | | SEE TABLE | | GENERAL MARKET | |
| | | | | | | DOCUMENT NUMBER | | DOC TYPE | | DOC PART SHEET NUMBER | |
| | | | | | | SD-170475-0002 | | PSD | | 001 2 OF 3 | |

IMPACT 5 PAIR BOARD RELATIONSHIPS

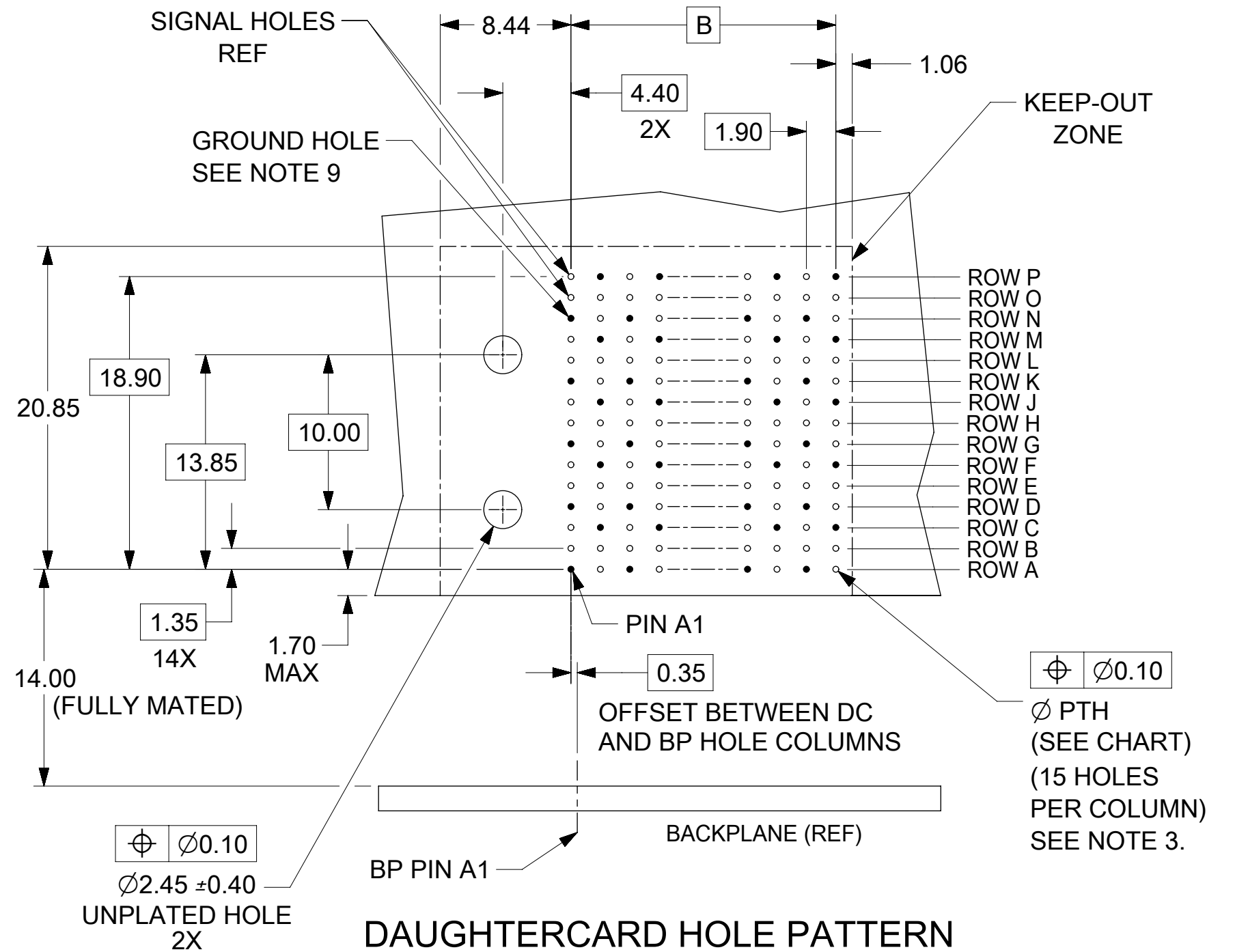
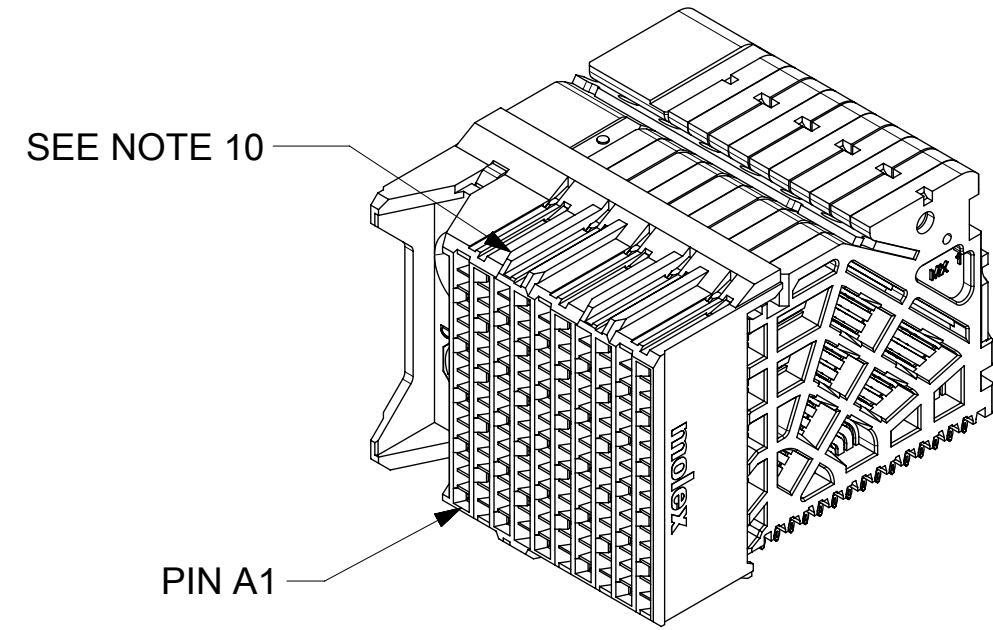
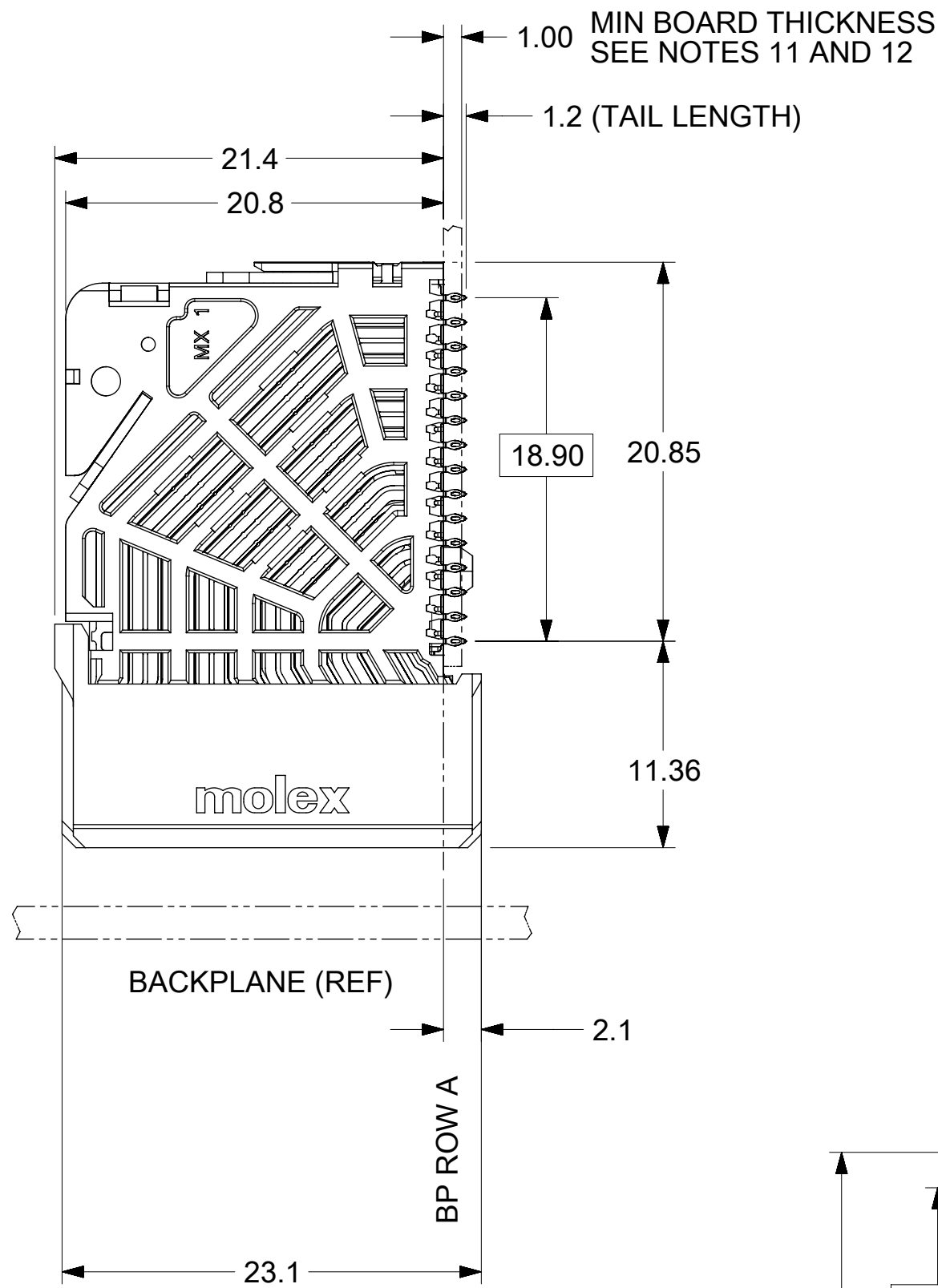


THIS DRAWING CONTAINS INFORMATION THAT IS PROPRIETARY TO MOLEX ELECTRONIC TECHNOLOGIES, LLC AND SHOULD NOT BE USED WITHOUT WRITTEN PERMISSION

| | | | | | | | |
|----------------|-----------------|------------|--|--------------|------------------------|-------|---|
| MIGRATED TO NX | EC NO: 168852 | 2017/10/25 | GENERAL TOLERANCES (UNLESS SPECIFIED) | | DIMENSION UNITS | SCALE | molex IMPACT 5-PAIR 85-OHM LEFT GUIDED BACKPLANE SALES ASSEMBLY DRAWING |
| | DRWN: NVELUSAMY | 2017/11/30 | ANGULAR TOL ± 2.0 ° | | MM | 3:1 | |
| | CHKD: CD | 2017/12/01 | 4 PLACES ± | DRWN BY | DATE | | |
| | REV / APPR: GGA | | 3 PLACES ± | JBINGHAM | 2010/05/19 | | |
| | | | 2 PLACES ± 0.13 | CHKD BY | DATE | | PRODUCT CUSTOMER DRAWING |
| | | | 1 PLACE ± 0.25 | JLAURX | 2010/05/19 | | |
| | | | 0 PLACES ± | JLAURX | 2013/05/21 | | |
| | | | DRAFT WHERE APPLICABLE MUST REMAIN WITHIN DIMENSIONS | DRAWING SIZE | THIRD ANGLE PROJECTION | | SERIES |
| | | | | C | | | MATERIAL NUMBER |
| | | | | | | | 170475 |
| | | | | | | | SEE TABLE |
| | | | | | | | CUSTOMER |
| | | | | | | | GENERAL MARKET |
| | | | | | | | DOCUMENT NUMBER |
| | | | | | | | SD-170475-0002 |
| | | | | | | | DOC TYPE |
| | | | | | | | PSD |
| | | | | | | | DOC PART |
| | | | | | | | 001 |
| | | | | | | | SHEET NUMBER |
| | | | | | | | 3 OF 3 |



KEY SHOWN IN POSITION "A"



- NOTES:
1. MATERIALS: HOUSING - LIQUID CRYSTAL POLYMER (LCP), GLASS-FILLED, UL94V-0
TERMINALS - HIGH PERFORMANCE COPPER ALLOY
 2. FINISH: 30μIN MIN SELECTIVE GOLD IN CONTACT AREA, SELECTIVE TIN
ON PCB TAILS. NICKEL OVERALL.
 3. REFER TO MOLEX PRODUCT SPEC PS-170540-999 FOR PERFORMANCE SPECIFICATIONS
AND ADDITIONAL PCB INFORMATION.
 4. EACH SIGNAL WAFER CONTAINS 2 COLUMNS OF TERMINALS.
 5. PRODUCT IS PACKAGED PER PK-70873-611.
 6. THIS PART CONFORMS TO CLASS B REQUIREMENTS OF COSMETIC SPEC PS-45499-002.
 7. REFER TO MOLEX SALES DRAWING SD-170475-0002 OR RSD-170472-XXXX FOR THE
MATING HEADERS.
 8. REFER TO MOLEX PCB MOUNTING GUIDE AS-76060-990 FOR ANTIPAD AND ROUTING
RECOMMENDATIONS.
 9. GROUND PATHS ARE NOT DISCRETE CIRCUITS WITHIN CONNECTOR DUE TO PRESENCE
OF PLUS CLIP.
 10. PART NUMBER 170480-3120 SHOWN ON DRAWING. KEYING FEATURES WILL CHANGE
WITH COLUMN SIZE.
 11. MINIMUM BOARD THICKNESS IS 1.00 mm FOR COMPLIANT PIN FUNCTIONALITY.
 12. WHEN USING MOLEX SUPPLIED # 2-32 SCREW 73726-0000 (9.50 NOMINAL
THREADABLE SCREW LENGTH), THE MAXIMUM BOARD THICKNESS IS 4.4 mm.

DAUGHTERCARD HOLE PATTERN
(CONNECTOR SIDE)

| | | | | | | | | | |
|---|--|------------------------|--|---|--|--------|--|--|--|
| THIS DRAWING CONTAINS INFORMATION THAT IS PROPRIETARY TO MOLEX ELECTRONIC TECHNOLOGIES, LLC AND SHOULD NOT BE USED WITHOUT WRITTEN PERMISSION | | | | | | | | | |
| DIMENSION UNITS | | SCALE | | CURRENT REV DESC: MIGRATED TO NX | | | | | |
| mm | | NTS | | <p>IMPACT 5 PAIR PLUS 85OHM DAUGHTERCARD SIGNAL GUIDE LEFT SALES DWG</p> <p>PRODUCT CUSTOMER DRAWING</p> <p>DOCUMENT NUMBER: SD-170480-0002 DOC TYPE: PSD DOC PART: 001 REVISION: B3</p> <p>MATERIAL NUMBER: SEE TABLE CUSTOMER: GENERAL MARKET SHEET NUMBER: 1 OF 2</p> | | | | | |
| GENERAL TOLERANCES (UNLESS SPECIFIED) | | | | | | | | | |
| ANGULAR TOL ± 0.5° | | | | | | | | | |
| 4 PLACES ± | | | | | | | | | |
| 3 PLACES ± | | | | | | | | | |
| 2 PLACES ± 0.13 | | | | | | | | | |
| 1 PLACE ± 0.25 | | | | | | | | | |
| 0 PLACES ± | | | | INITIAL REVISION: | | | | | |
| DRAFT WHERE APPLICABLE MUST REMAIN WITHIN DIMENSIONS | | THIRD ANGLE PROJECTION | | DRAWING | | SERIES | | | |
| | | | | C-SIZE | | 170480 | | | |

| MATERIAL NUMBER | # OF COLUMNS | # OF DIFF PAIR | DIM "A" MAX | DIM "B" | PTH \varnothing |
|-----------------|--------------|----------------|-------------|---------|--------------------|
| 170480-3*08 | 8 | 40 | 22.80 | 13.30 | 0.46 ± 0.05 |
| 170480-3*10 | 10 | 50 | 26.60 | 17.10 | |
| 170480-3*12 | 12 | 60 | 30.40 | 20.90 | |
| 170480-3*16 | 16 | 80 | 38.00 | 28.50 | |
| 170480-3*38 | 8 | 40 | 22.80 | 13.30 | 0.39 ± 0.05 |
| 170480-3*20 | 10 | 50 | 26.60 | 17.10 | |
| 170480-3*22 | 12 | 60 | 30.40 | 20.90 | |
| 170480-3*26 | 16 | 80 | 38.00 | 28.50 | |

170480-3***

MODULE & TAIL PLATING TYPE
3 = LEFT GUIDED, LEAD-FREE

OF COLUMNS
08 = 8 COL 0.46 PTH
10 = 10 COL 0.46 PTH
12 = 12 COL 0.46 PTH
16 = 16 COL 0.46 PTH

POLARIZATION KEY ORIENTATION

0 = NO KEY
1 = A 5 = E
2 = B 6 = F
3 = C 7 = G
4 = D 8 = H

38 = 8 COL 0.39 PTH
20 = 10 COL 0.39 PTH
22 = 12 COL 0.39 PTH
26 = 16 COL 0.39 PTH

| | | | | | | | | | |
|---|--|-------|--|----------------------------------|--|-----------------|--|--|--|
| THIS DRAWING CONTAINS INFORMATION THAT IS PROPRIETARY TO MOLEX ELECTRONIC TECHNOLOGIES, LLC AND SHOULD NOT BE USED WITHOUT WRITTEN PERMISSION | | | | | | | | | |
| DIMENSION UNITS | | SCALE | | CURRENT REV DESC: MIGRATED TO NX | | | | molex | |
| mm | | NTS | | | | | | | |
| GENERAL TOLERANCES (UNLESS SPECIFIED) | | | | EC NO: 612222 | | | | IMPACT 5 PAIR PLUS 85OHM | |
| ANGULAR TOL $\pm 0.5^\circ$ | | | | DRWN: BREVANSIDDAB 2018/11/15 | | | | DAUGHTERCARD SIGNAL GUIDE LEFT SALES DWG | |
| 4 PLACES \pm | | | | CHK'D: TMARRI 2019/02/19 | | | | PRODUCT CUSTOMER DRAWING | |
| 3 PLACES \pm | | | | APPR: BOKOK 2019/02/20 | | | | | |
| 2 PLACES ± 0.13 | | | | INITIAL REVISION: | | | | DOCUMENT NUMBER | |
| 1 PLACE ± 0.25 | | | | DRWN: JLAURX 2010/09/28 | | | | SD-170480-0002 | |
| 0 PLACES \pm | | | | APPR: JLAURX 2010/10/19 | | | | DOC TYPE DOC PART REVISION | |
| DRAFT WHERE APPLICABLE MUST REMAIN WITHIN DIMENSIONS | | | | THIRD ANGLE PROJECTION | | DRAWING | | SHEET NUMBER | |
| | | | | | | C-SIZE | | 2 OF 2 | |
| | | | | SERIES | | MATERIAL NUMBER | | CUSTOMER | |
| | | | | 170480 | | SEE TABLE | | GENERAL MARKET | |

| | | | | |
|-----------------|----|--------------|------------|----------|
| DOCUMENT STATUS | P1 | RELEASE DATE | 2019/02/20 | 10:38:11 |
|-----------------|----|--------------|------------|----------|