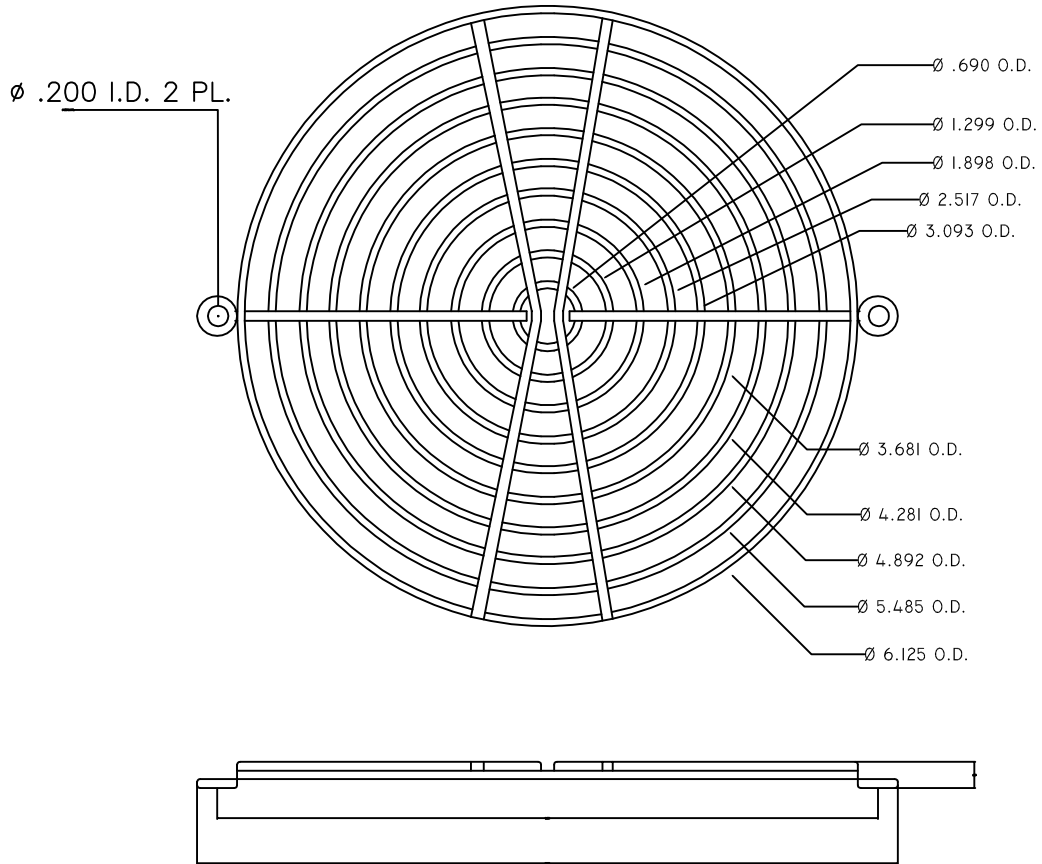


ITEM	PART NO.	DESCRIPTION	Q'TY	REV	DATE	DESCRIPTION	APPROVAL	REF.
1	KM172	172MM WIRE FORM FAN GUARD		0	08-27-04	ORIGINAL RELEASE	<i>JF</i>	
2								
3								
4								
5								



NOTES:

1. MATERIAL: SAE C1008 (OR EQUIVALENT) BRIGHT BASIC WIRE.
2. FINISH: BRIGHT NICKEL CHROME PLATING.
3. WELD JOINTS TO WITHSTAND 70LBS PULL FORCE.

<small>UNLESS NOTED: TOLERANCES SHALL BE .X = ±.300 .XX = ±.150 .XXX = ±.075 ANGULAR = ±.2°</small>	REMARKS			SHOWN Q'TY	OPPOSITE Q'TY
	THIRD ANGLE	SCALE	MATERIAL	APPROVED BY: <i>JF</i>	DRAWN BY: <i>BEA</i>
	METRIC			DATE: 08-27-04	DATE: 08-27-04
<small>THIS DRAWING IS THE PROPERTY OF SANYO DENKI AMERICA, INC. AND SHALL BE DEEMED AS PROPRIETARY INFORMATION. USE OF ANY INFORMATION CONTAINED HEREIN SHALL BE PROHIBITED WITHOUT WRITTEN PERMISSION OF SANYO AMERICA, INC.</small>	MODEL			NAME	
	SANYO DENKI AMERICA, INC. TORRANCE, CALIFORNIA, U.S.A.			172MM WIRE FORM FAN FINGERSHIELD	
DRAWING NO.				REVISED	
KM172				0	