

MATERIALS AND FINISHES:

BODY ZINC ALLOY
SEE TABLE

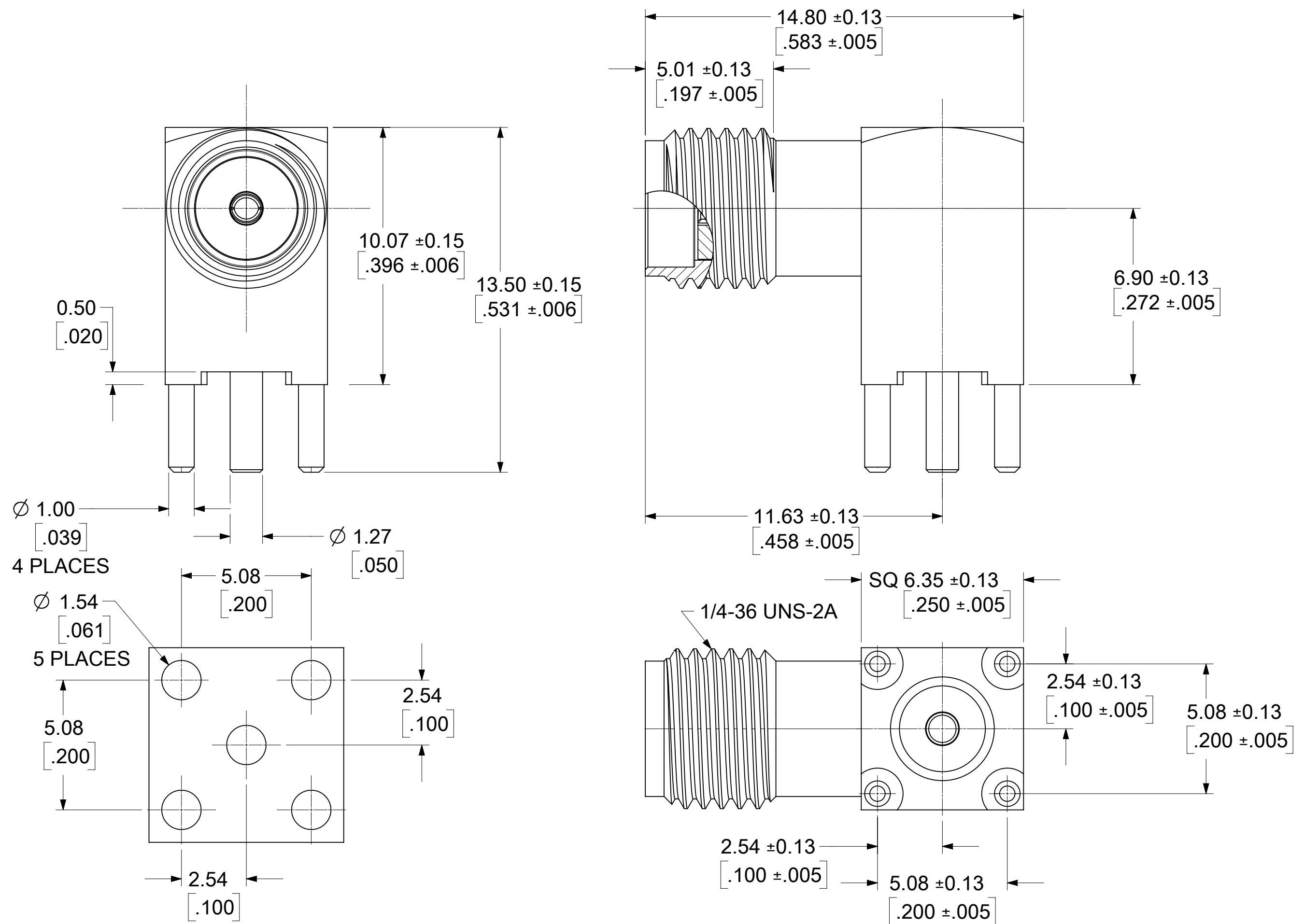
INSULATOR TEFLON

CONTACT (MATING END) BERYLLIUM COPPER
PLATED GOLD

CONTACT (PCB END) BRASS
PLATED GOLD

COVER BRASS
SEE TABLE

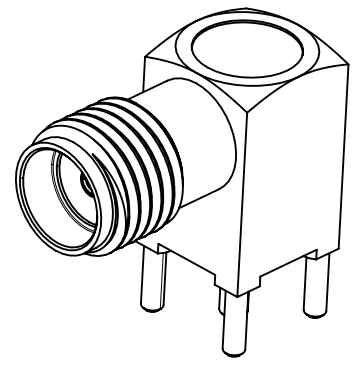
PACKAGING SEE TABLE



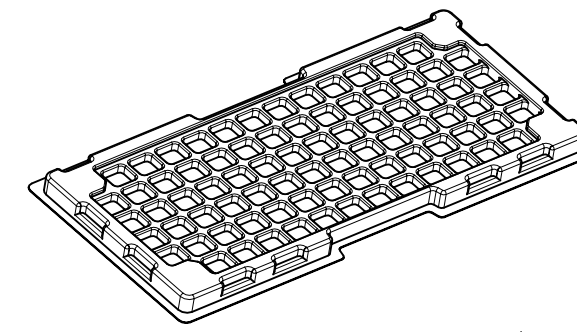
73391-0085	BODY, PIN AND COVER PLATED GOLD 1u" MIN	73391-0083 BAG (500 SET.)
73391-0084	BODY AND COVER PLATED NICKEL	73391-0080 BAG (500 SET.)
73391-0083	BODY, PIN AND COVER PLATED GOLD 1u" MIN	73391-0083 TRAY (80 CAV.)
73391-0082	BODY AND COVER PLATED NICKEL	73391-0080 TRAY (20 CAV.)
73391-0081	BODY, PIN AND COVER PLATED GOLD 10u" MIN	73391-0081 TRAY (80 CAV.)
73391-0080	BODY AND COVER PLATED NICKEL	73391-0080 TRAY (80 CAV.)
PART NO.	DESCRIPTION	PACKAGING

PS-89675-346	PRODUCT SPECIFICATION
MIL-STD-348A, FIG. 310.2	INTERFACE
SPECIFICATION	DESCRIPTION

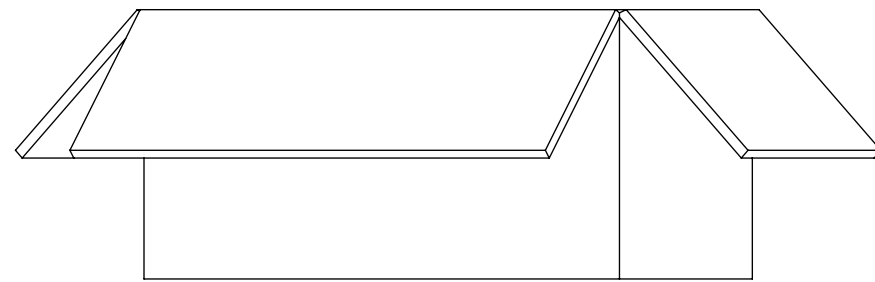
THIS DRAWING CONTAINS INFORMATION THAT IS PROPRIETARY TO MOLEX ELECTRONIC TECHNOLOGIES, LLC AND SHOULD NOT BE USED WITHOUT WRITTEN PERMISSION											
FUNCTIONAL SYMBOLS	DIMENSION UNITS	SCALE	CURRENT REV DESC: CHG PS TO PS-89675-346 PER EWR15816-A								
$\frac{F}{A} = 0$	MM/INCH	NTS	<p>molex</p> <p>SMA JACK R/A PCB TH 50 OHMS SMA-J/PCB</p> <p>PRODUCT CUSTOMER DRAWING</p> <p>DOCUMENT NUMBER: SD-73391-008 DOC TYPE: PSD DOC PART: 001 REVISION: A10</p> <p>EC NO: 748205 DRWN: CWEI02 2023/04/25 CHK'D: YCHENG 2023/05/22 APPR: YCHENG 2023/05/22</p> <p>INITIAL REVISION: DRWN: RFC_PLMIMP 2018/01/09 APPR: MHUANG 2006/08/29</p> <p>DRAFT WHERE APPLICABLE MUST REMAIN WITHIN DIMENSIONS</p> <p>THIRD ANGLE PROJECTION</p> <p>DRAWING: C-SIZE SERIES: 73391</p> <p>MATERIAL NUMBER: SEE TABLE CUSTOMER: GENERAL MARKET SHEET NUMBER: 1 OF 4</p>								
$\frac{F}{C} = 0$	GENERAL TOLERANCES (UNLESS SPECIFIED)										
$\frac{F}{P} = 0$	ANGULAR TOL ± 2.0°										
DIVISIONAL SYMBOLS	4 PLACES ±										
	3 PLACES ±										
	2 PLACES ±										
	1 PLACE ±										
	0 PLACES ±										



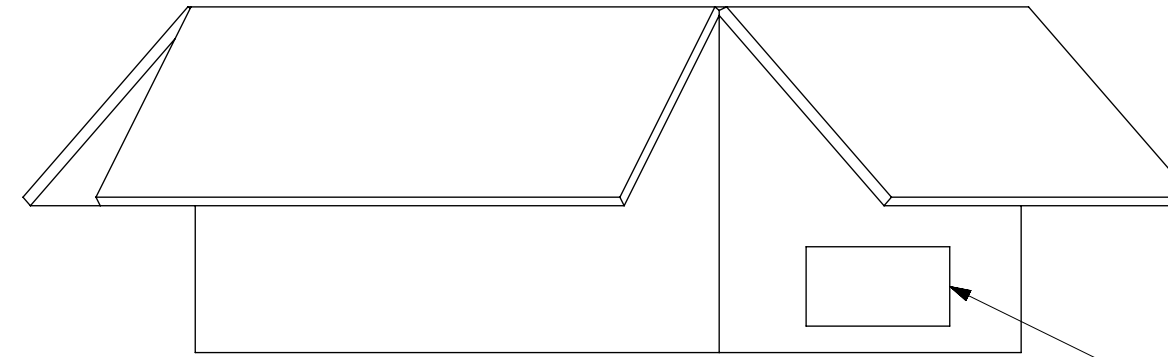
P/N 73391-0080
73391-0081
73391-0083



80 SETS PER TRAY
TRAY P/N 89707-0190
(L361mm X W167 mm)



1760 SETS PER INNER CARTON BOX
P/N 96707-0001
MAXIMUM OUTSIDE DIMENSION
(L370.94mm X W183.94mm X D191.87mm)





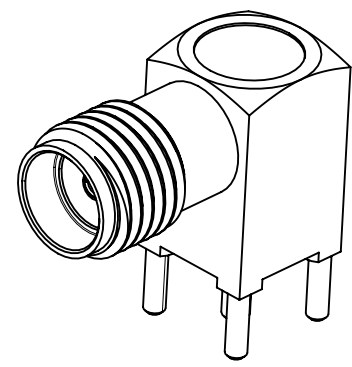
3520 SETS PER OUTER CARTON BOX
P/N 96708-0005
MAXIMUM OUTSIDE DIMENSION
(L393.94mm X W390.92mm X D211.89mm)

LABEL
(SEE DETAIL A)

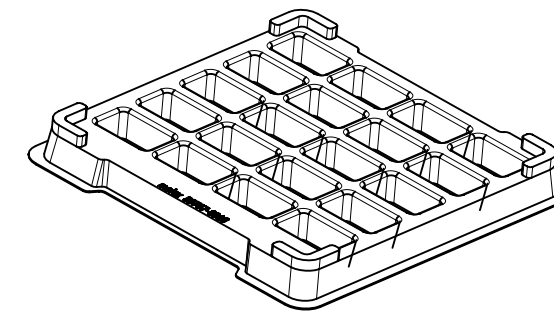
1	PART NO
2	DESCRIPTION
3	QUANTITY
4	COUNTRY OF ORIGIN
5	INV CTRL DATE
6	LOT NUMBER
7	ENVIRONMENT INFORMATION
8	DATE CODE

1	(1P) PART NUMBER 0733910083	(9D) DATE CODE 2047	8
2	DESCRIPTION SMA RA JACK, PCB		
3	(Q) QUANTITY 3520		
4	(4L) MADE IN Taiwan		
5	(12D) INV CTRL DATE 2020/11/16		
6	(1T) TRACEABILITY 000846200927	RoHS Compliant with Exemption REACH SVHC information - see www.molex.com Low-Halogen	
7	1 of 1 OPERATOR: 20.11.16		
MOLEX TAIWAN LTD. / DANSHUI, NEW TAIPEI CITY, TAIWAN 25144			

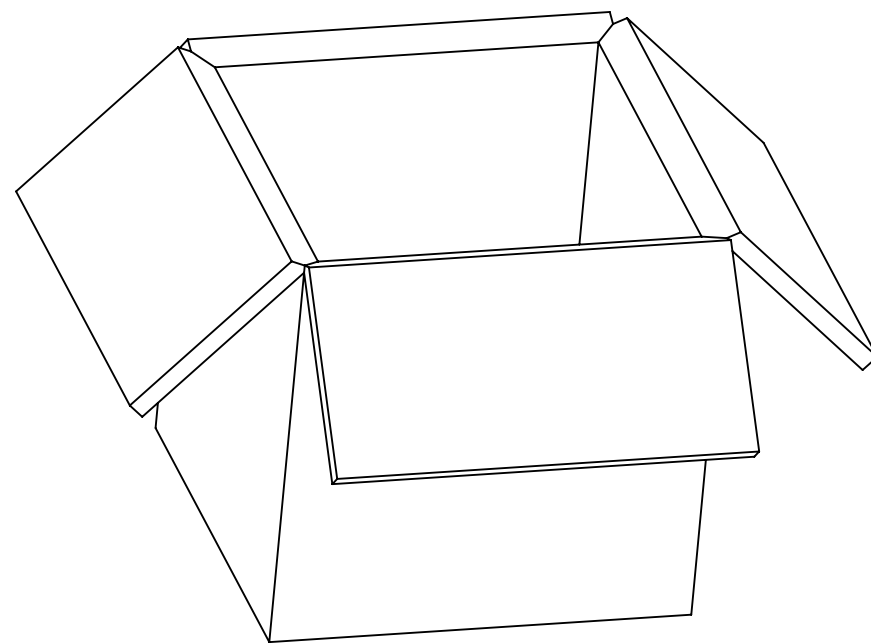
FUNCTIONAL SYMBOLS $\frac{F}{A} = 0$ $\frac{F}{C} = 0$ $\frac{F}{P} = 0$ DIVISIONAL SYMBOLS 2 PLACES ± 1 PLACE ± 0 PLACES ±	THIS DRAWING CONTAINS INFORMATION THAT IS PROPRIETARY TO MOLEX ELECTRONIC TECHNOLOGIES, LLC AND SHOULD NOT BE USED WITHOUT WRITTEN PERMISSION DIMENSION UNITS: MM/INCH SCALE: NTS CURRENT REV DESC: CHG PS TO PS-89675-346 PER EWR15816-A		 SMA JACK R/A PCB TH 50 OHMS SMA-J/PCB			
	GENERAL TOLERANCES (UNLESS SPECIFIED) ANGULAR TOL ± 2.0° 4 PLACES ± 3 PLACES ± 2 PLACES ± 1 PLACE ± 0 PLACES ±				EC NO: 748205 DRWN: CWEI02 2023/04/25 CHK'D: YCHENG 2023/05/22 APPR: YCHENG 2023/05/22	
	DRAFT WHERE APPLICABLE MUST REMAIN WITHIN DIMENSIONS		THIRD ANGLE PROJECTION 		DRAWING SERIES: C-SIZE 73391	
	DOCUMENT NUMBER: SD-73391-008		DOC TYPE: PSD DOC PART: 001 REVISION: A10		MATERIAL NUMBER: GENERAL MARKET SHEET NUMBER: 2 OF 4	



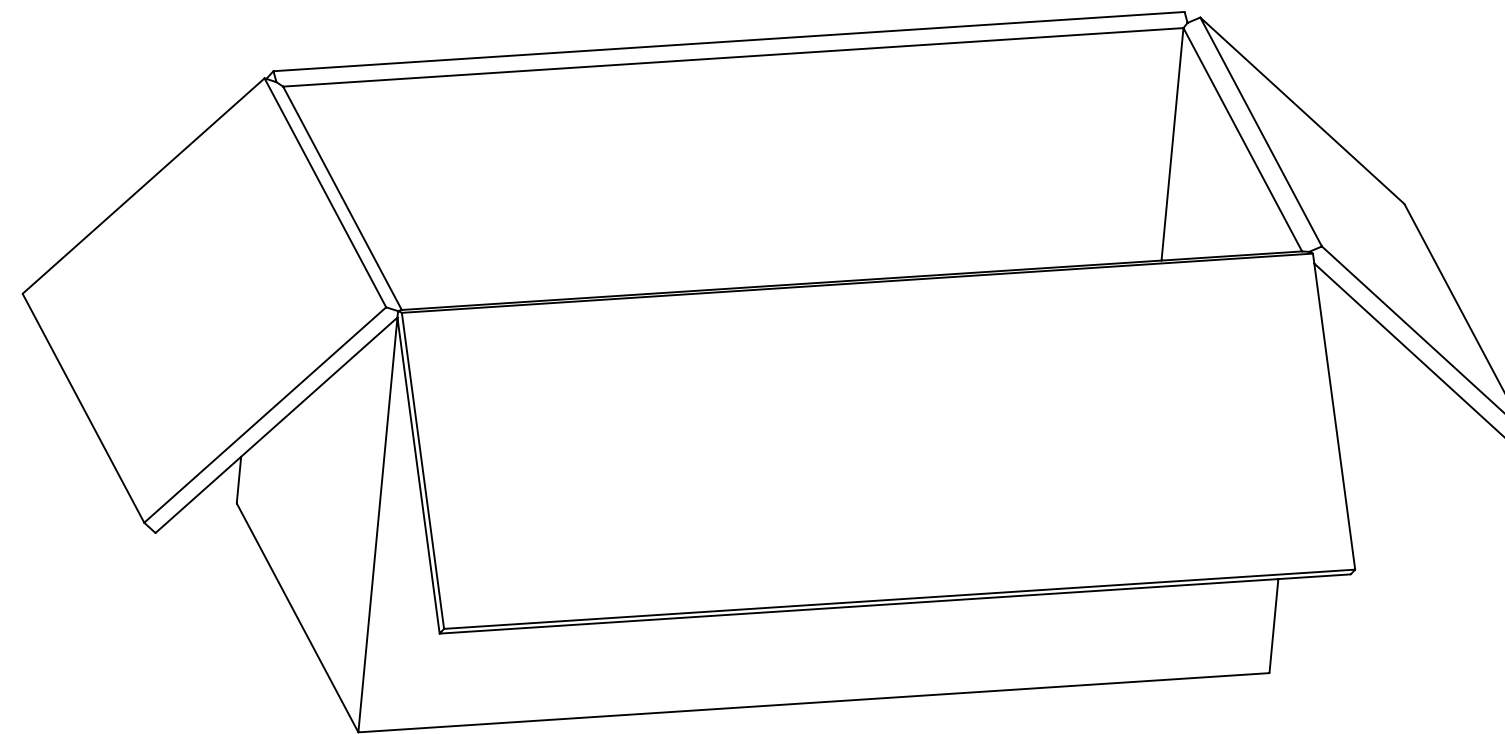
PART NO: 73391-0082



20 SETS PER TRAY
P/N: 89707-0308



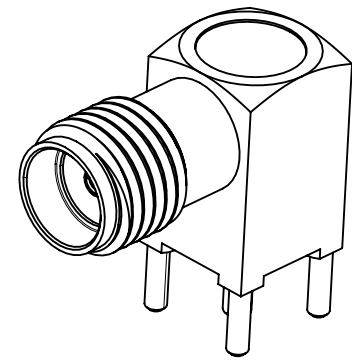
200 SETS PER INNER
CARTON BOX
P/N: 96707-0005



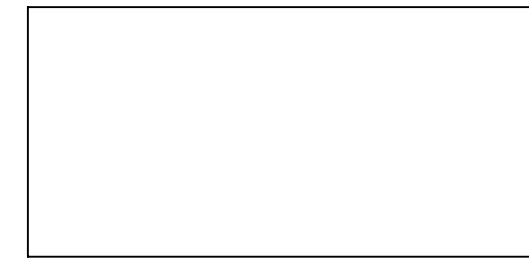
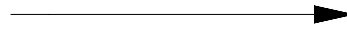
400 SETS PER OUTER
CARTON BOX
P/N: 96707-0002

FUNCTIONAL SYMBOLS	THIS DRAWING CONTAINS INFORMATION THAT IS PROPRIETARY TO MOLEX ELECTRONIC TECHNOLOGIES, LLC AND SHOULD NOT BE USED WITHOUT WRITTEN PERMISSION										
	DIMENSION UNITS	SCALE	CURRENT REV DESC: CHG PS TO PS-89675-346 PER EWR15816-A							molex	
$\frac{F}{A} = 0$	MM/INCH	NTS	GENERAL TOLERANCES (UNLESS SPECIFIED)								
$\frac{E}{C} = 0$	ANGULAR TOL $\pm 2.0^\circ$		EC NO: 748205				2023/04/25		PRODUCT CUSTOMER DRAWING		
$\frac{E}{P} = 0$	4 PLACES \pm		DRWN: CWEI02				2023/05/22		DOCUMENT NUMBER		
DIVISIONAL SYMBOLS	3 PLACES \pm		CHK'D: YCHENG				2023/05/22		DOC TYPE		
	2 PLACES \pm		APPR: YCHENG				2023/05/22		DOC PART		
	1 PLACE \pm		INITIAL REVISION:				2018/01/09		REVISION		
0 PLACES \pm		DRWN: RFC_PLMIMP				2006/08/29		SD-73391-008		PSD 001 A10	
DRAFT WHERE APPLICABLE MUST REMAIN WITHIN DIMENSIONS		THIRD ANGLE PROJECTION		DRAWING		SERIES		MATERIAL NUMBER		CUSTOMER	
				C-SIZE		73391		GENERAL MARKET		SHEET NUMBER	
										3 OF 4	

DOCUMENT STATUS	P1	RELEASE DATE	2023/05/22	01:28:12
-----------------	----	--------------	------------	----------



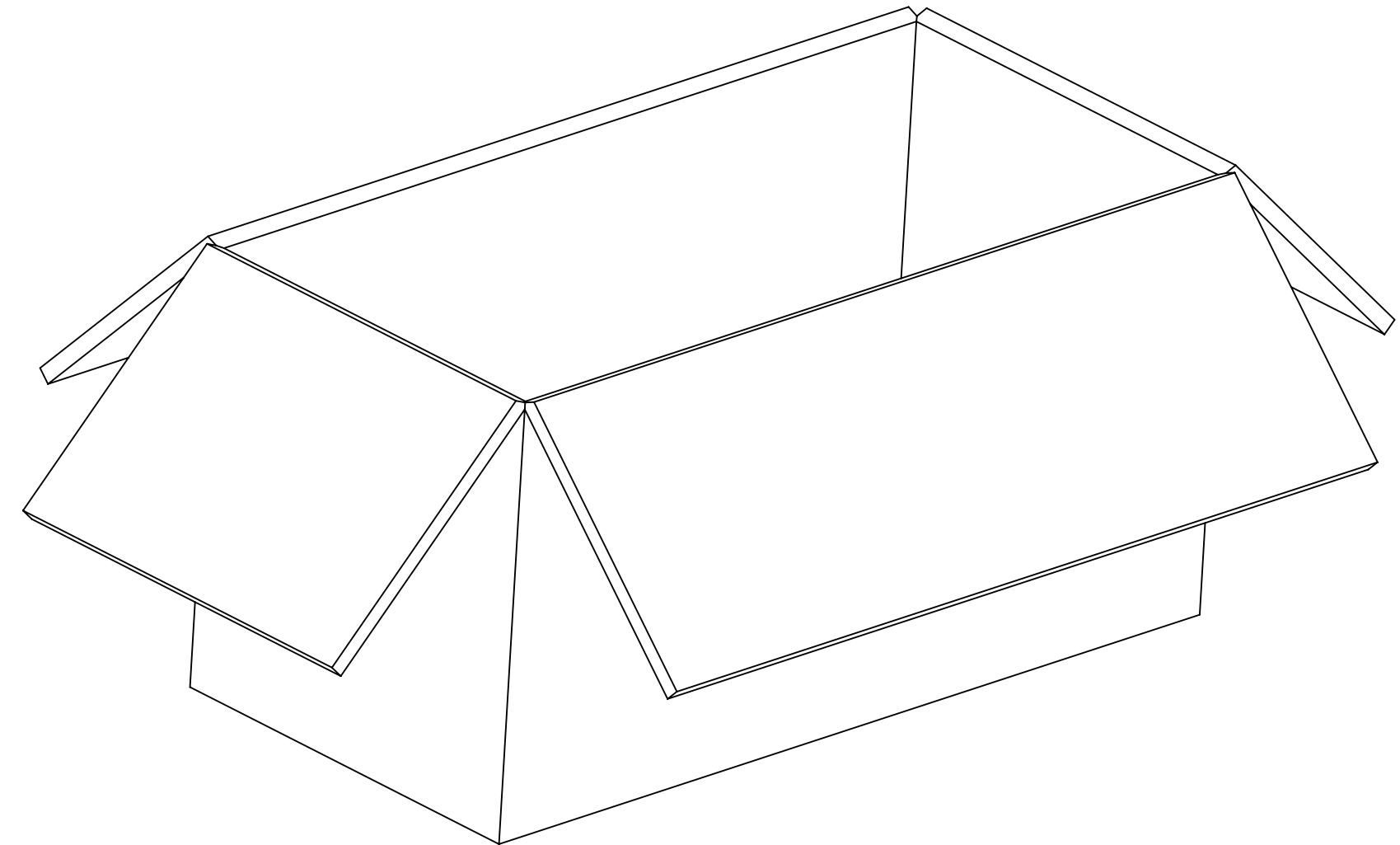
PART NO: 73391-0084 & 73391-0085



1 SET PER POLYBAG
P/N: 89707-0317



50 SET PER POLYBAG
P/N: 89707-0176



500 SET PER OUTER CARTON BOX
P/N: 96707-0002

LABEL WITH EACH BAG
FOR 73391-0084

MOLEX P/N: 73391-0084
DATE: YYWW

LABEL WITH EACH BAG
FOR 73391-0085

MOLEX P/N: 73391-0085
DATE: YYWW

THIS DRAWING CONTAINS INFORMATION THAT IS PROPRIETARY TO MOLEX ELECTRONIC TECHNOLOGIES, LLC AND SHOULD NOT BE USED WITHOUT WRITTEN PERMISSION									
FUNCTIONAL SYMBOLS	DIMENSION UNITS	SCALE	CURRENT REV DESC: CHG PS TO PS-89675-346 PER EWR15816-A						
$\frac{F}{A} = 0$	MM/INCH	NTS	molex SMA JACK R/A PCB TH 50 OHMS SMA-J/PCB PRODUCT CUSTOMER DRAWING						
$\frac{E}{C} = 0$	GENERAL TOLERANCES (UNLESS SPECIFIED)								
$\frac{E}{P} = 0$	ANGULAR TOL $\pm 2.0^\circ$								
DIVISIONAL SYMBOLS	4 PLACES	\pm	EC NO: 748205	2023/04/25	DOCUMENT NUMBER: SD-73391-008 DOC TYPE: PSD DOC PART: 001 REVISION: A10				
	3 PLACES	\pm	DRWN: CWEI02	2023/05/22					
	2 PLACES	\pm	CHK'D: YCHENG	2023/05/22					
	1 PLACE	\pm	APPR: YCHENG	2023/05/22	INITIAL REVISION:		MATERIAL NUMBER: 73391 CUSTOMER: GENERAL MARKET SHEET NUMBER: 4 OF 4		
	0 PLACES	\pm	DRWN: RFC_PLMIMP	2018/01/09	APPR: MHUANG				
DRAFT WHERE APPLICABLE MUST REMAIN WITHIN DIMENSIONS			THIRD ANGLE PROJECTION	DRAWING	SERIES				
				C-SIZE	73391				