

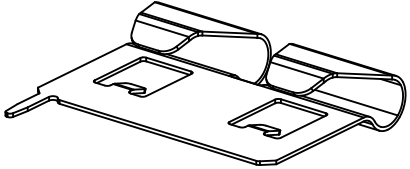
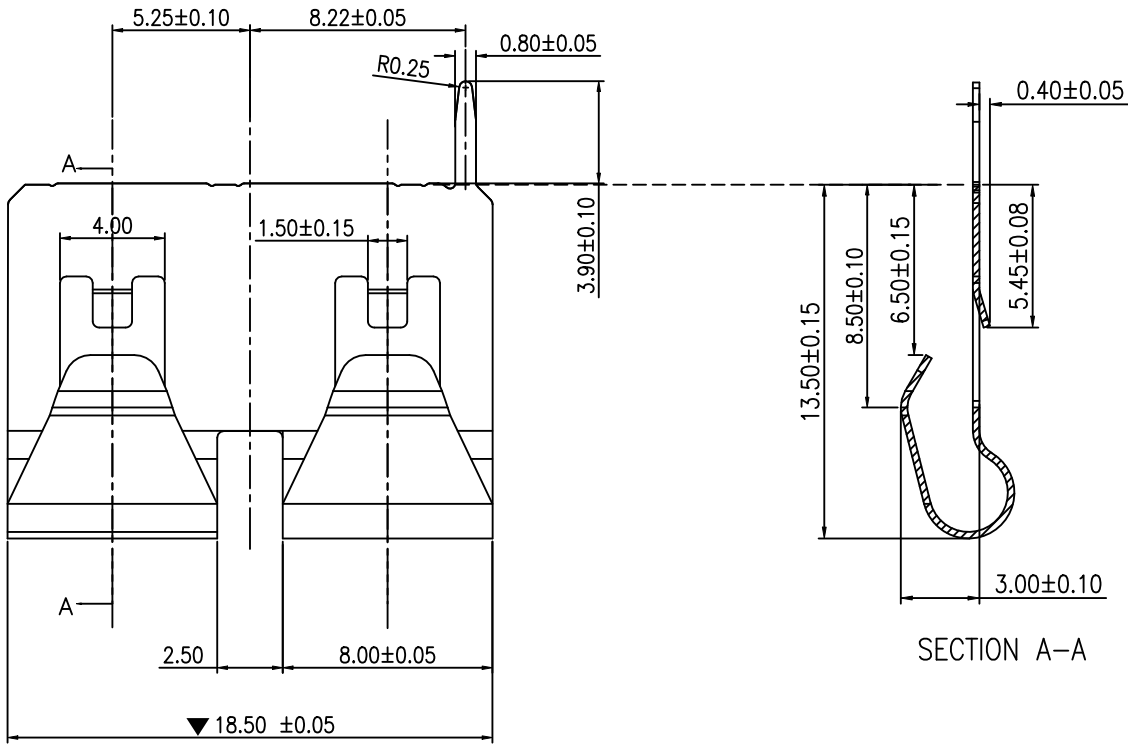
1

2

3

4

REV.	ECR/ECN No.	DESCRIPTION	DRAWN/DATE	CHECKED/DATE	APPROVED/DATE
C	ECN2022152	UPDATE FRAME	Abner 2022-09-28	Staven 2022-09-28	Sam 2022-09-28



3D VIEW

SECTION A-A

This document is the property of and embodies CONFIDENTIAL and PROPRIETARY information of AOR. No part of the information shown on this document may be used in any way or disclosed to others without the written consent of AOR. © 2019 AOR



NOTES:

1. MATERIAL: C5191-EH T=0.25mm;
2. FINISH: (SOLDERABLE BRIGHT) Ni 40-120u" UNDER PLATING OVER ALL.
3. ALL MATERIALS COMPLY WITH ROHS MANAGEMENT;
4. WITH "▼" MUST BE CPK CONTROL.

UNLESS OTHERWISE SPECIFIED TOLERANCES				ANGLE OF PROJECTION		Amphenol AORORA	
X.	±0.30	X. °	± 5'			Amphenol Aorora Technology (Huizhou) Co.,Ltd TITLE: H3.0 SPRING	
X.X	±0.25	X.X °	± 4'				
X.XX	±0.20	X.XX °	± 3'	DOC TYP Customer Drw		SIZE PART NUMBER: Z01E-4C7J1-11000-E000 REV. C	
X.XXX	±0.15	X.XXX °	± 2'	DRAWN DATE	Jessy 2017-04-07		
LINEAR DIMS		ANGLES DIMS		DESIGN DATE	Jessy 2017-04-07		
DWG NO.: A-S0362				CHECKED DATE	Andy 2017-04-07		
MATERIAL		SEE NOTES		APPROVED DATE	Judy 2017-04-07	SCALE 1:1 UNIT : mm SHEET 1 OF 1	
FINISHED		SEE NOTES					

1

2

3

4

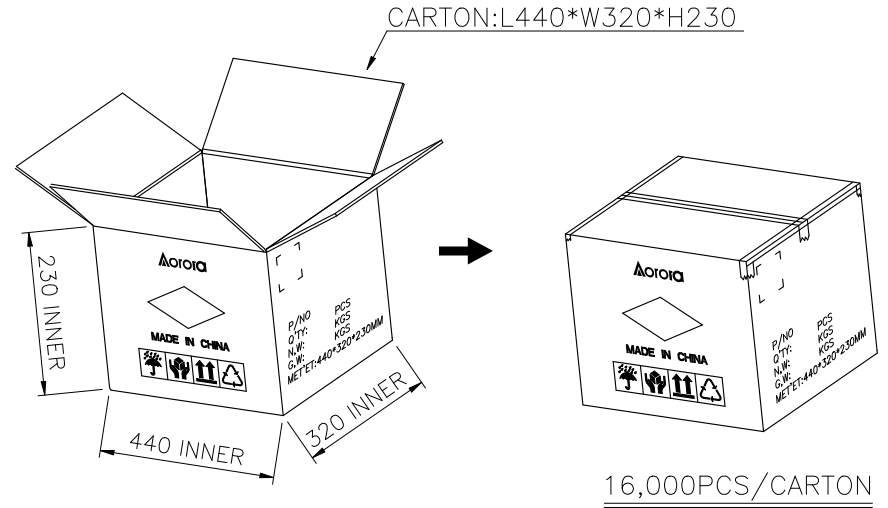
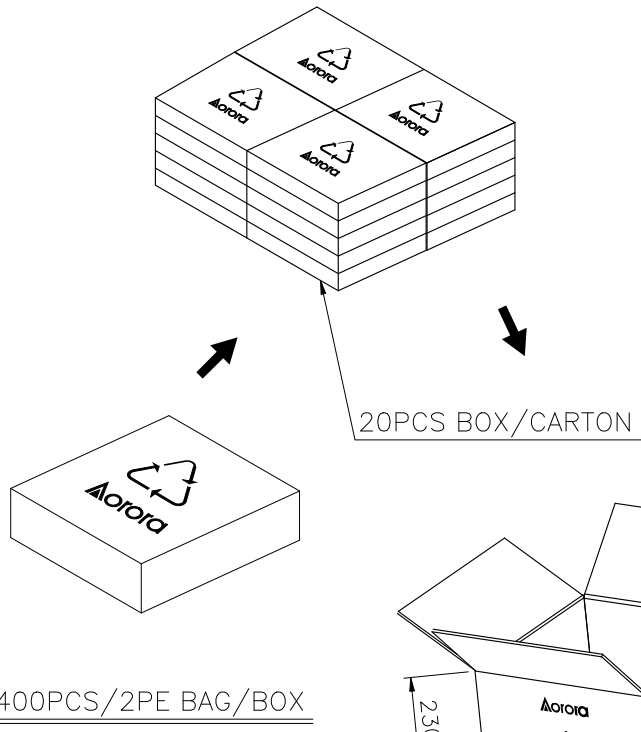
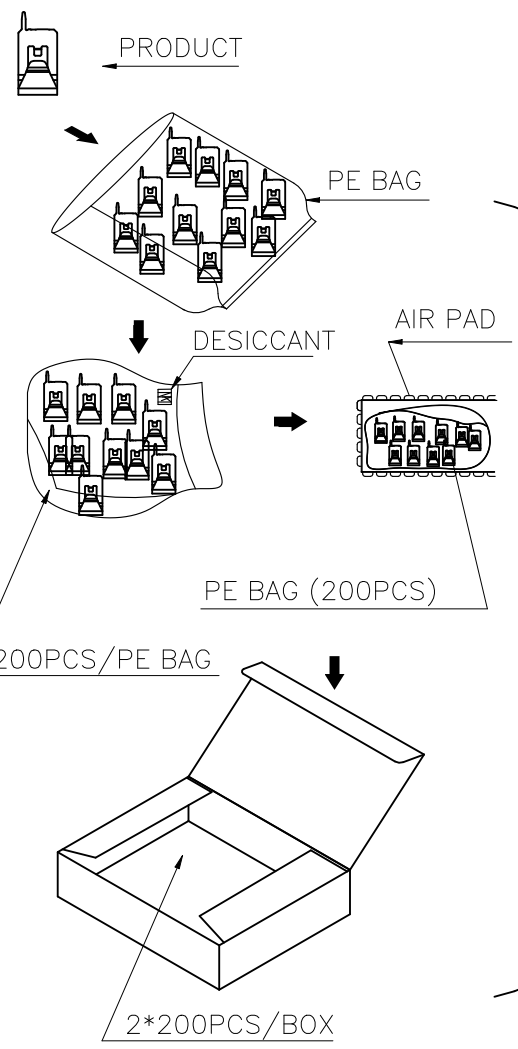
REV.	ECR/ECN No.	DESCRIPTION	DRAWN/DATE	CHECKED/DATE	APPROVED/DATE
C	ECN2022152	UPDATE FRAME	Abner 2022-09-28	Staven 2022-09-28	Sam 2022-09-28

1:PACK IN TO BOX

2:PACK IN TO CARTON

NOTES:

- 1. PRIMARY PACKING:400PCS/INNER BOX, 8,000PCS/CARTON.
- 2. PACKING DIMENSIONS:  
INNER BOX:210 mm \*150 mm \*40 mm  
CARTON:440 mm \*320 mm \*230 mm.
- 3. The PE Bag has Anti-static function.



This document is the property of and embodies CONFIDENTIAL and PROPRIETARY information of AORORA. No part of the information shown on this document may be used in any way or disclosed to others without the written consent of AORORA. © 2019 AORORA



UNLESS OTHERWISE SPECIFIED TOLERANCES			ANGLE OF PROJECTION		 Amphenol Aorora Technology (Huizhou) Co.,Ltd
X.	±0.25	X. ° ± 5'			
X.X	±0.20	X.X ° ± 3'			
X.XX	±0.10	X.XX ° ± 0.2'	DOC TYPE: Packing Drw		
X.XXX	±0.05	X.XXX ° ± 0.1'	DRAWN	DATE	TITLE: H3.0 SPRING
LINEAR DIMS		ANGLES DIMS		DESIGN	
DWG NO.: A-H0190		DRAWN		DATE	
MATERIAL		CHECKED		DATE	
FINISHED		APPROVED		DATE	SIZE: PART NUMBER: A4 Z01E-4C7J1-11000-E000
		DRAWN		DATE	
		DESIGN		DATE	SCALE: 1:1 UNIT: mm SHEET 1 OF 1
		CHECKED		DATE	
		APPROVED		DATE	