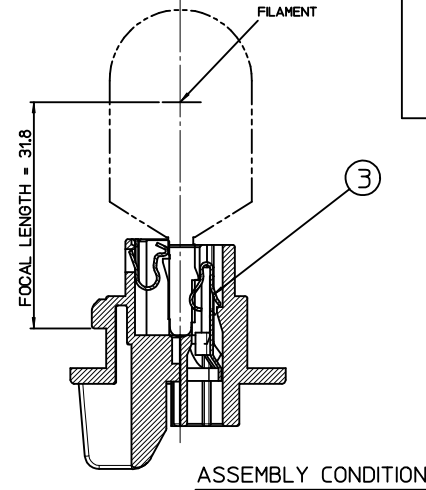
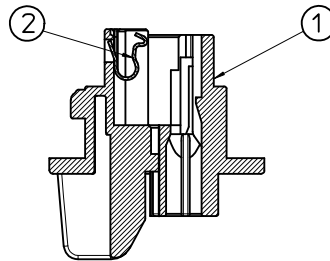
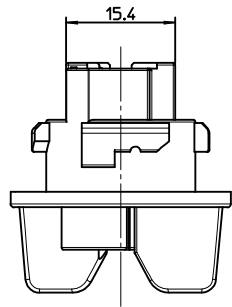


ISO VIEW



ASSEMBLY CONDITION



SECTION A-A

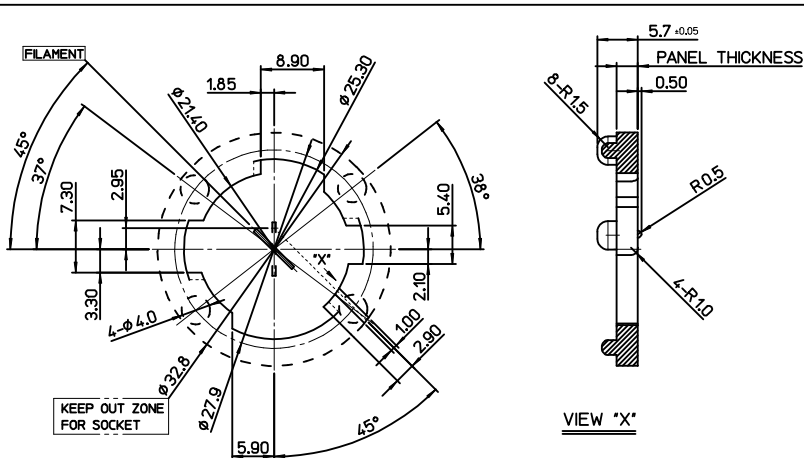
<NOTE>

1. APPLICABLE LAMP : WY21W(T20)
2. PANEL THICKNESS : 3.0mm ±0.1
3. MATES WITH

| NO. | DESCRIPTION | MATERIAL | PART NO. | WIRE RANGE |
|-----|-----------------|----------|------------|-------------------------|
| ③ | SINGLE TERMINAL | BRASS | 49869-9102 | 0.5~0.85mm ² |

<PARTS LIST>

| NO. | DESCRIPTION | MATERIAL | USAGE | REMARK |
|-----|-----------------|-----------------|-------|----------|
| ① | T20 BULB SOCKET | NYLON46, GF 30% | 1 | BROWN |
| ② | LAMP HOLDER | SUS | 2 | UNPLATED |



VIEW 'X'

LUG PATTERN 'A'

GENERAL TOLERANCE: ±0.1

| MATERIAL NO. | ORDER NO. | COLOR |
|--------------|-------------|---------|
| 1041330217 | 104133-0217 | BROWN |
| 1041330210 | 104133-0210 | NATURAL |



| CHANGED DIM'S & ADDED COLOR | QUALITY SYMBOLS | GENERAL TOLERANCES (UNLESS SPECIFIED) | | DIMENSION STYLE | | SCALE | DESIGN UNITS | THIRD ANGLE PROJECTION |
|---|-----------------|---|------|--------------------------|------------|----------------------------|--------------|--|
| | | mm | INCH | MM ONLY | TITLE | | | |
| EC NO: KTR2012-0067 DRAWN: HIMOON 2012/05/03 CHK: CHIMOON 2012/05/03 APPR: | ▽=0 ▽=0 | 4 PLACES ±--- | ±--- | SMK1M | 2009/03/17 | 2:1 | METRIC | WY21W UNSEALED WEDGE BULB SOCKET 2P |
| | | 3 PLACES ± | ±--- | CHECKED BY | DATE | | | |
| | | 2 PLACES ±0.2 | ±--- | BCYOON | 2009/03/17 | | | |
| | | 1 PLACE ±0.30 | ±--- | APPROVED BY | DATE | | | |
| | | ANGULAR ± 1° | ±--- | DC_LISLE | 2012/06/29 | | | |
| B1 | REV | DRAFT WHERE APPLICABLE MUST REMAIN WITHIN DIMENSIONS | | MATERIAL NO. SEE TABLE 1 | | DOCUMENT NO. SD-104133-001 | | SHEET NO. 1 OF 1 |
| | | SIZE A2 THIS DRAWING CONTAINS INFORMATION THAT IS PROPRIETARY TO MOLEX INCORPORATED AND SHOULD NOT BE USED WITHOUT WRITTEN PERMISSION | | | | | | |