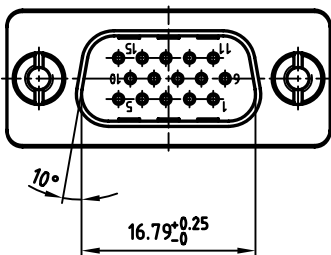
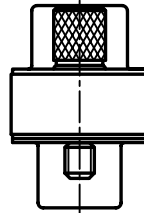
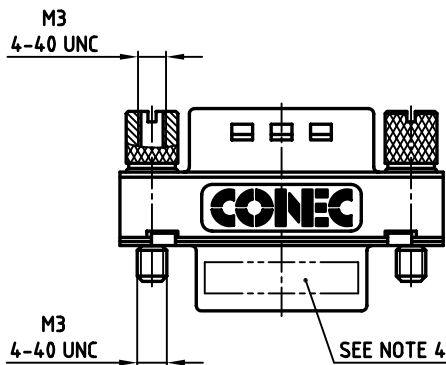
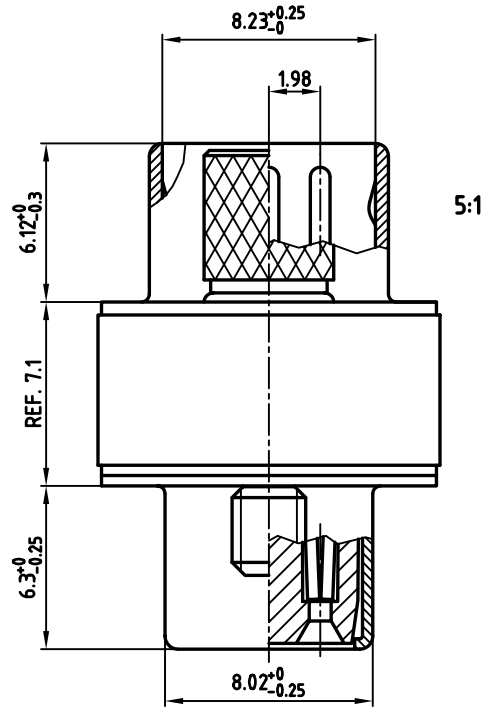
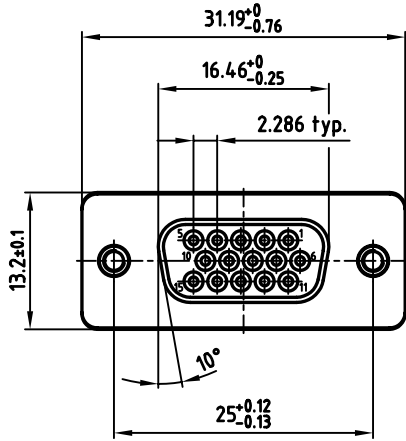


used for: D-SUB HD FILTER ADAPTER

		PART NO.	
FILTER	CAPACITANCE	M3	4-4.0 UNC
TYPE 1	180pF±20%	243811720X	243811600X
TYPE 3	370pF±20%	243811760X	243811640X
TYPE 4	830pF±20%	243811800X	243811680X



**NOTES:**

- METALSHELLS: STEEL; min. 315µm TIN over 40-80µm NICKEL
- INSULATORS: PBT GF UL 94 V-0, BLACK
- CONTACTS: COPPER ALLOY  
PLATING: § USE A FOR QUALITY CLASS 3 ( 8µm HARD GOLD OVER min. 50µm NICKEL )  
§ USE B FOR QUALITY CLASS 2 ( 20µm HARD GOLD OVER min. 50µm NICKEL )  
§ USE C FOR QUALITY CLASS 1 ( 30µm HARD GOLD OVER min. 50µm NICKEL )
- CONNECTOR IS PART MARKED: PART-NO. CONEC ABC

Directive 2002/95 EC  
"RoHS"  
Compliant

APPROVAL # FREIGABE # DEBLOCAGE # AUTORIZACION # APPROVAL	
CUSTOMER APPROVAL DATE:	
NAME:	TITLE:
COMPANY NAME:	
APPROVAL # FREIGABE # DEBLOCAGE # AUTORIZACION # APPROVAL	

THIS DRAWING MAY NOT BE COPIED OR REPRODUCED IN ANY WAY, AND MAY NOT BE PASSED ON TO A THIRD PARTY WITHOUT WRITTEN PERMISSION. OWNERSHIP AND COPYRIGHT OF CONEC GmbH DO NOT ALTER CAD DRAWING BY HAND

rev.	description	date	name	tolerance	dim. in mm
1 x b	Ä 2535	18.07.2006	Lehmen	1997	date
a	Origin			drawn	28.01.
				appd.	28.01.
				norm	DIN 41652
				d-old	

scale:	2:1 (5:1)
material:	SEE NOTES
title:	
D-SUB HD FILTER ADAPTER	
15pos.	
dwg no:	AutoCAD 2006
	DIN-A
	3
	sh:1/1
part no:	SEE TABLE

